

www.palazzani.it

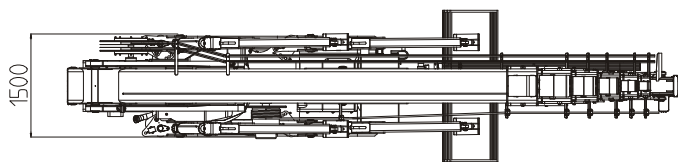
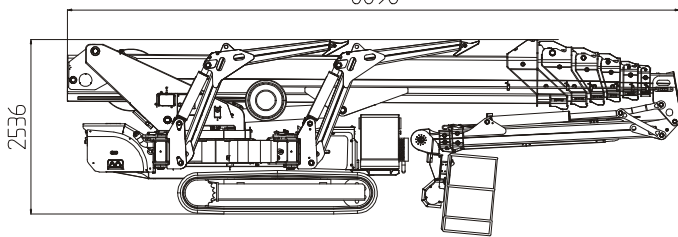
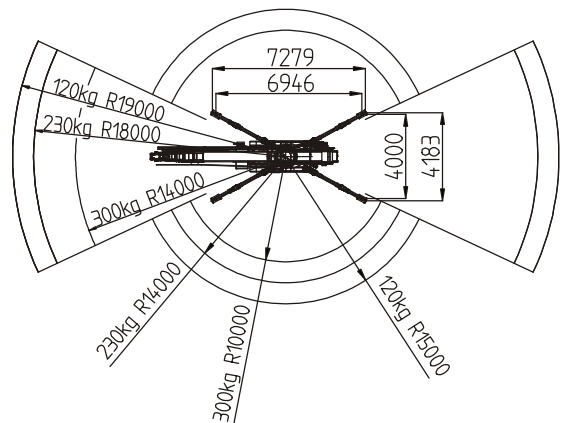
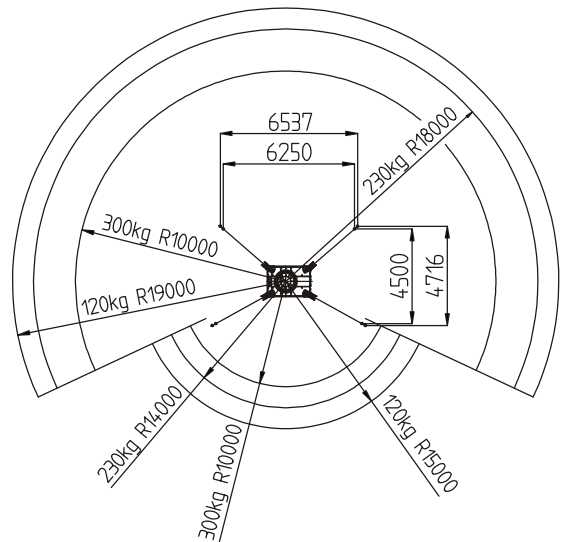
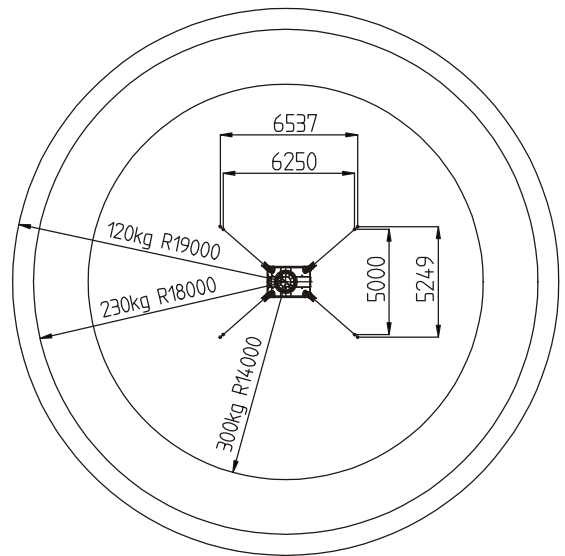
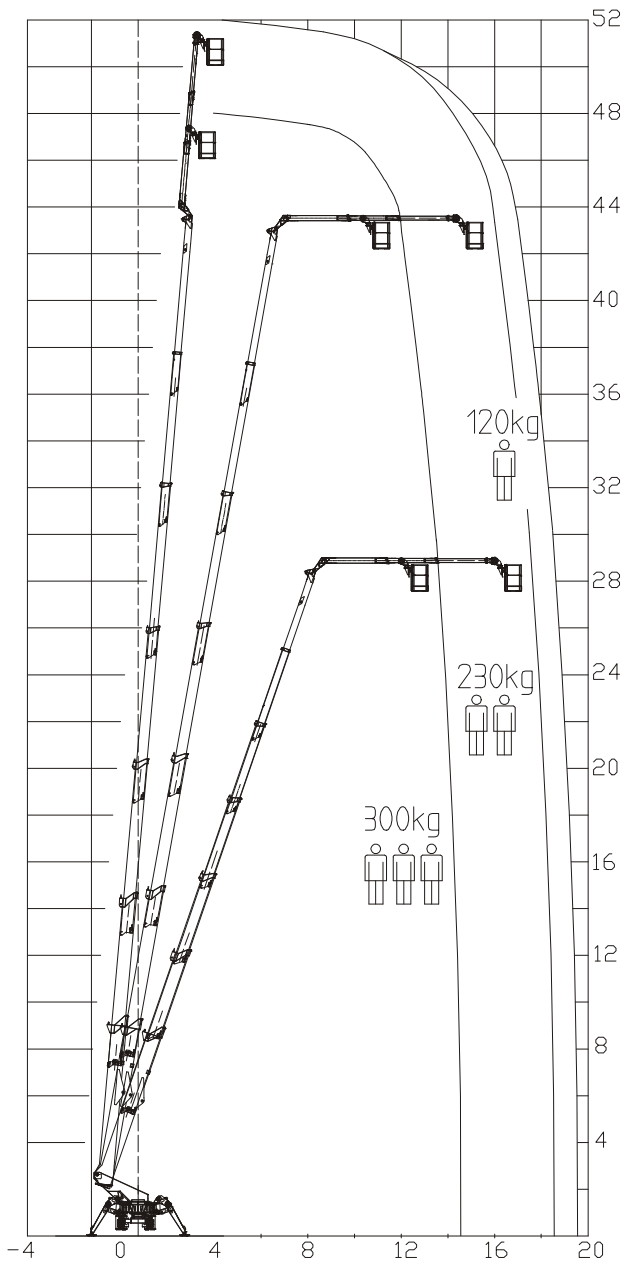
The new RAGNO generation

RAGNO XTJ 52



52m	20m	300kg	170°	680°	240x90cm	90°+80°	4,1-6,2m	9%	
40%	1,4 km/h	13800kg	75kN	4,18kN/m ²	6,41kN/m ²	1450mm	8700mm	2480mm	

RAGNO XTJ 52/C



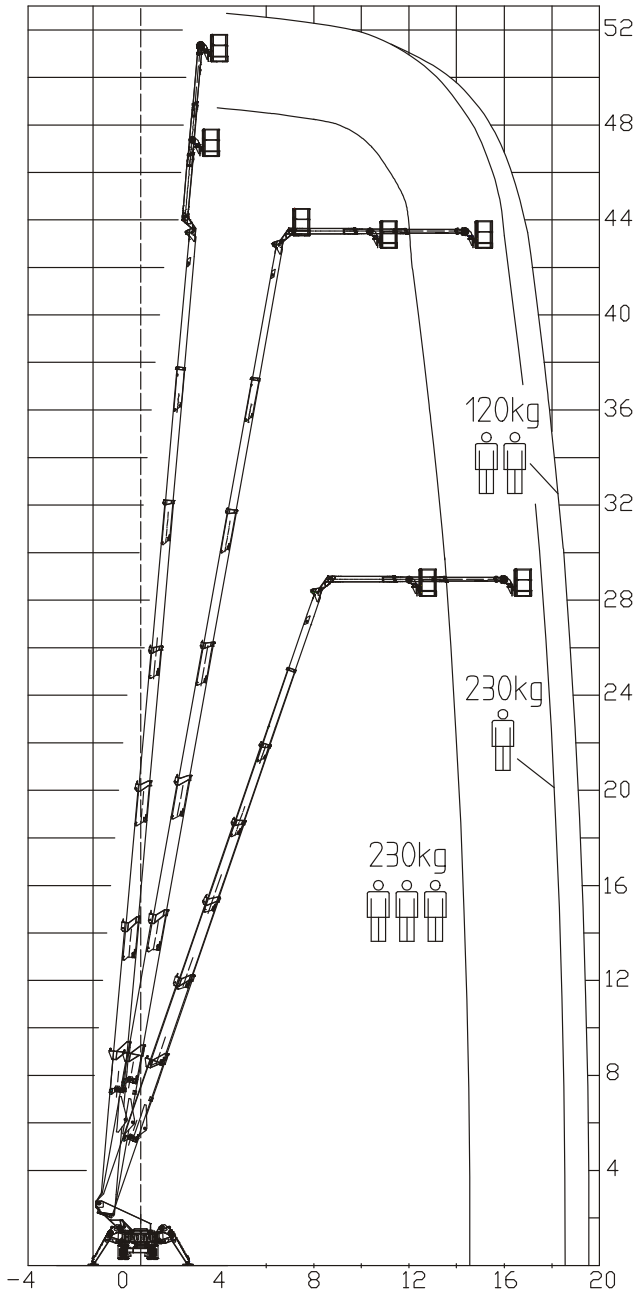
Palazzani
INDUSTRIE

25050 PADERNO F.C. (BS) - ITALY
Tel: ++39 030 6857073 - Fax: ++39 030 657079
www.palazzani.it - platforms@palazzani.it

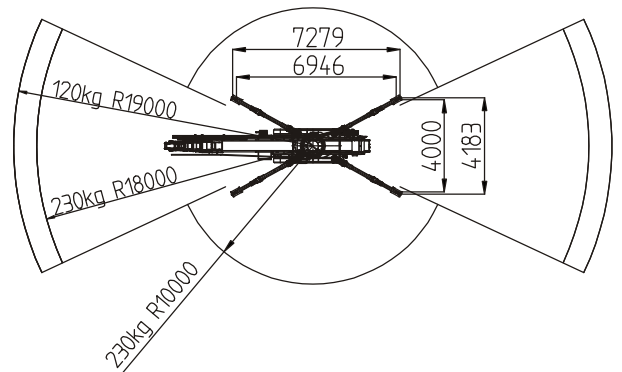
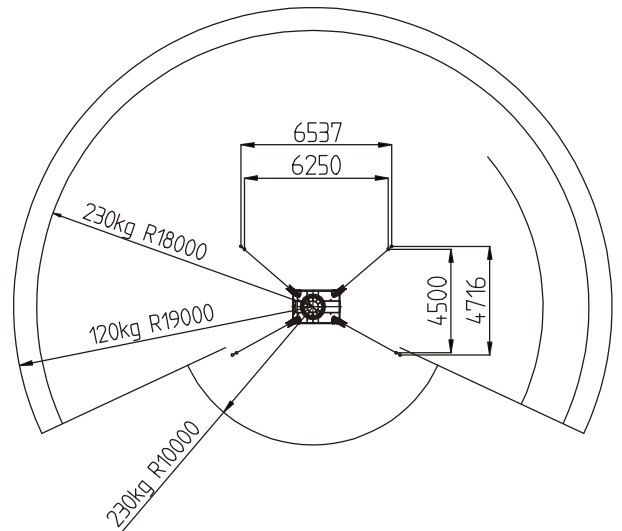
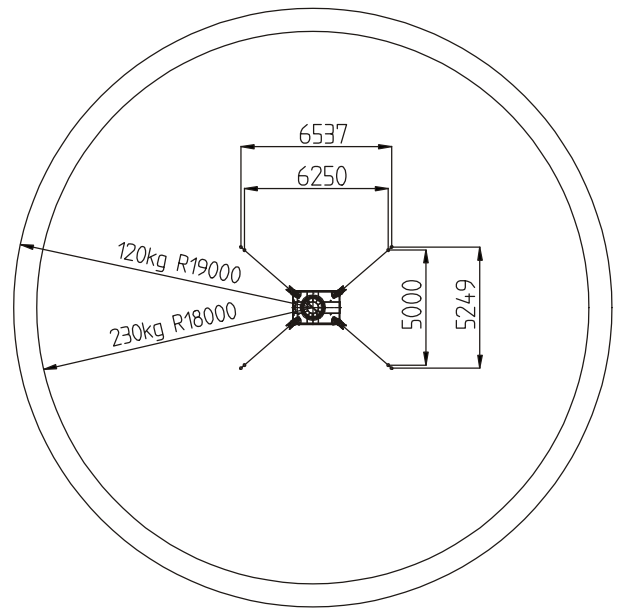
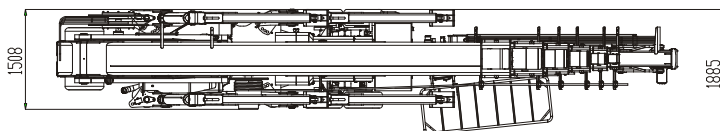
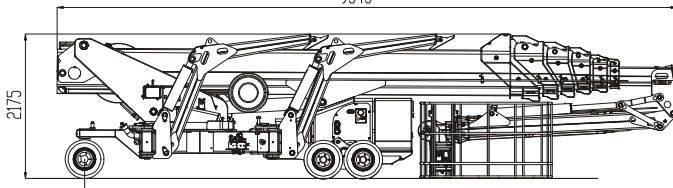
COMPANY WITH
QUALITY SYSTEM
CERTIFIED BY DNV
= ISO 9001 =

NC 365 A 14

RAGNO XTJ 52/R



9345



Palazzani
INDUSTRIE

25050 PADERNO F.C. (BS) - ITALY
Tel: ++39 030 6857073 - Fax: ++39 030 657079
www.palazzani.it - platforms@palazzani.it

COMPANY WITH
QUALITY SYSTEM
CERTIFIED BY DNV
= ISO 9001 =

NC 366 A 14