

XT24SD

TRAILER MOUNTED SCISSOR LIFT



- Ultra-portable trailer mounted scissor lift
- Driveable from the basket between jobs
- Auto-level outriggers
- Simple push-button controls
- Towable between sites with most vehicles

 **snorkel**
www.snorkellifts.com

TRAILER MOUNTED SCISSOR LIFT

XT24SD

DIMENSIONS XT24SD

Max working height	8.9m
Max platform height (A)	6.9m
Max working height (outriggers retracted)	5.7m
Platform length (deck extended)	2.44m
Platform length (deck retracted)	1.63m
Platform width	1.22m
Deck extension (B)	0.82m
Towing width (F)	1.55m
Towing length (E)	3.10m
Stowed height (D)	2.27m
Outrigger footprint (full height) L x W	1.93 x 1.83m
Outrigger footprint (restricted height) L x W	1.93 x 1.55m
Guardrail height (C)	1.10m
Toeboard height	0.15m
Ground clearance	360mm

PERFORMANCE

Platform capacity (SWL)	227kg
Max drive speed (stowed)	5.0km/h
Wheels	13 inch
Controls	Single twin axis joystick
Inside turning radius	0m
Drive system	24V DC independent wheel motors

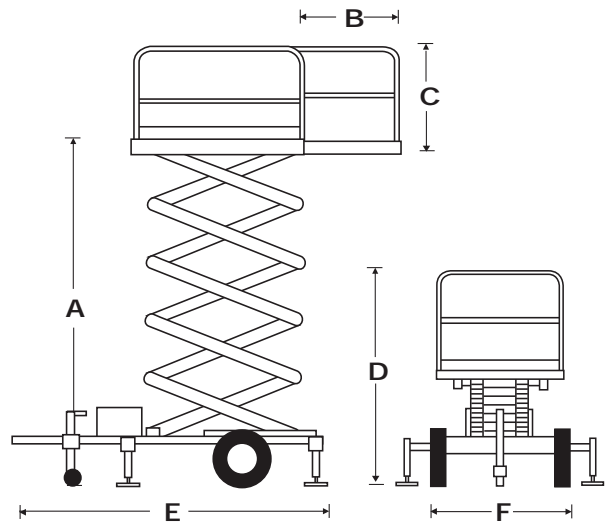
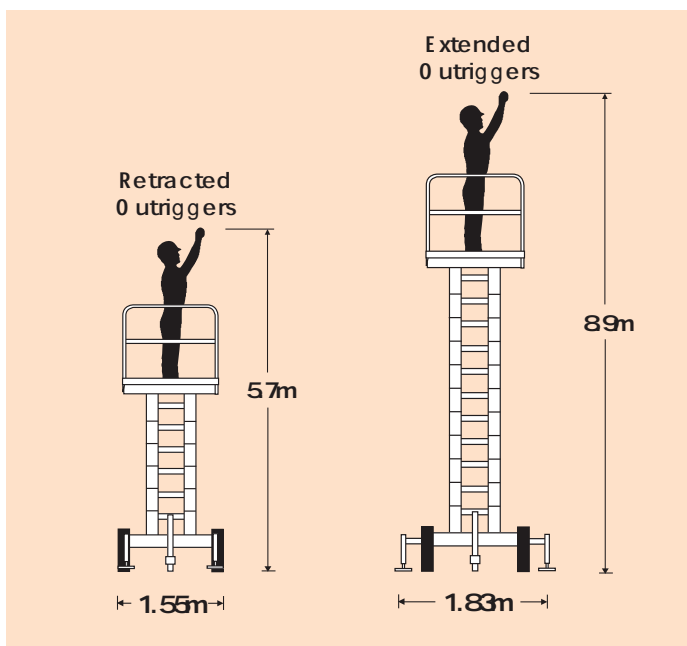
POWER

Power source	24V DC
Battery	2 x 12V deep cycle

WEIGHT

Gross weight	1350kg
--------------	--------

OUTRIGGER OPTIONS



STANDARD FEATURES

- Self-drive system for on site manoeuvring from platform (stowed)
- Auto level system with four electrically actuated jacks
- Restricted height operation with outriggers retracted
- Roll-out deck extension
- Power line to platform (no sockets)
- Platform overload alarm
- Tilt alarm
- Automatic reverse and over-run braking
- Integrated automatic battery charger 110-230V 20A
- CE approved

OPTIONS

- Special paint colours
- Site illumination kit with 2.5kW generator
- Flashing amber beacon
- Spare wheel
- Motion alarm
- Tool tray
- Airliner to platform

snorkel

Vigo Centre, Birtley Road,
Washington, Tyne & Wear,
NE38 9DA, U.K.

t +44 (0) 845 1550 057

e sales@snorkellifts.com

www.snorkellifts.com