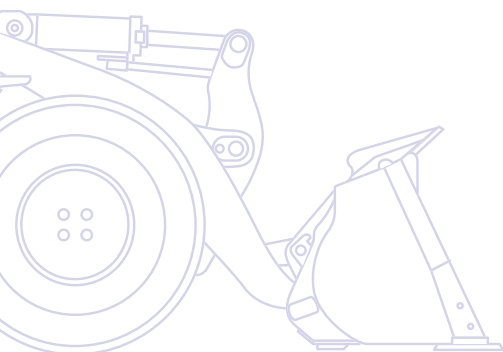


# KOMATSU

**WA**  
**380**



## Wheel Loader **WA380-7**



**ENGINE POWER**  
143 kW / 192 HP @ 2.100 rpm

**OPERATING WEIGHT**  
18.510 - 19.715 kg

**BUCKET CAPACITY**  
3,1 - 6,5 m<sup>3</sup>

# Walk-Around

The Komatsu WA380-7 wheel loader is a perfect blend of performance, comfort and fuel economy. On-board, “Komatsu SmartLoader Logic” is a new and fully automatic engine control that yields precisely enough torque for each work phase, considerably reducing fuel usage with no loss of productivity. You enjoy impressive travel speeds thanks to the new intelligent power train and the enhanced lock-up function of Komatsu’s large capacity torque converter. The WA380-7 is perfect for a great number of applications and gives extraordinary rimpull and an outstanding performance, even on steep grades or ramps. Whisper quiet, the new SpaceCab™ combines safety and ergonomics with an unprecedented level of Komatsu comfort. Reliability, ease of service, economy and safety – the WA380-7 sets new standards for the industry.

## High productivity & low fuel consumption

- Low consumption EU Stage IIIB/EPA Tier 4 interim engine
- Large-capacity torque converter with standard lock-up
- Komatsu SmartLoader Logic
- More fuel-saving technology



## Excellent stability and manoeuvrability

- Superior dumping height and reach
- Wide tread and long wheelbase
- Boom suspension system for minimum spillage
- Komatsu CLSS hydraulic system

# WA380-7

**ENGINE POWER**  
143 kW / 192 HP @ 2.100 rpm

**OPERATING WEIGHT**  
18.510 - 19.715 kg

**BUCKET CAPACITY**  
3,1 - 6,5 m<sup>3</sup>

## First-class operator comfort

- Newly designed SpaceCab™
- Fully air suspended operator station
- Low noise design
- Improved operator convenience
- Rear view camera system



## Simple & convenient handling

- New monitoring system
- Electronic Pilot Control (EPC) standard
- EPC-Multifunction lever (option)
- Intelligent gas pedal



Complimentary maintenance  
program for customers



Komatsu Wireless  
Monitoring System



## Easy maintenance

- Wide core radiator with auto reverse fan
- Factory fitted automatic lubrication system
- Large gull-wing doors for easy access to service points
- Robust components with a long service life



# High Productivity & Low Fuel Consumption

## New Komatsu engine technology

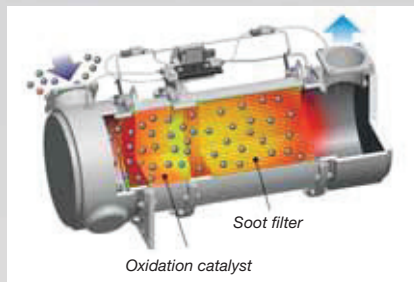
The powerful and fuel-efficient Komatsu SAA6D107E-2 engine in the WA380-7 delivers 143 kW/192 HP and is EU Stage IIIB/EPA Tier 4 interim certified. Its turbo uses a hydraulic actuator to provide optimum charging pressure at all times, and makes the engine very responsive under any load conditions. The engine reaches its max. performance of 152 kW/204 HP at already 1.600 rpm.

## Komatsu SmartLoader Logic

The WA380-7 provides Komatsu SmartLoader Logic, a new fully automatic engine control system. Without interfering with normal operations, this technology acquires data from various sensors in the vehicle and delivers optimal engine torque for each work phase. It limits torque during less demanding operations and reduces fuel usage without decreasing production.

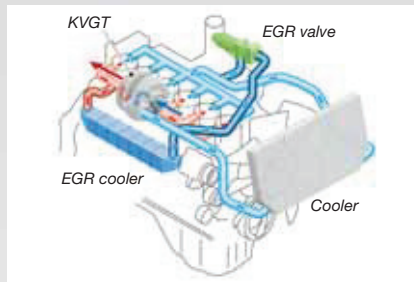
### Komatsu Diesel Particulate Filter (KDPF)

Komatsu's high efficiency DPF captures more than 90% of particulate matter. It includes a special oxidation catalyst with fuel injection system that can incinerate trapped particulates by either active or passive regeneration with no need to interrupt machine operations.



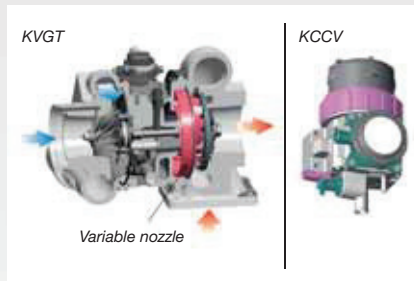
### Exhaust Gas Recirculation (EGR)

Cooled EGR is a technology well-proven in current Komatsu engines. The increased capacity of the EGR cooler now ensures very low NOx emissions and a better engine performance.



### Komatsu Variable Geometry Turbo (KVGT)

The KVGT provides optimal air flow to the engine combustion chamber under all speed and load conditions. Exhaust gas is cleaner, fuel economy is improved while machine power and performance are maintained.

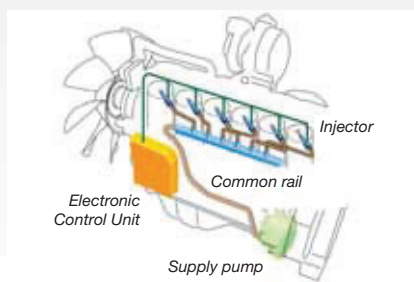


### Komatsu Closed Crankcase Ventilation (KCCV)

Crankcase emissions (blow-by gas) are passed through a CCV filter. The oil mist trapped in the filter is returned back to the crankcase while the filtered gas is returned to the air intake.

### High-Pressure Common Rail (HPCR)

To achieve complete fuel burn and lower exhaust emissions, the heavy duty High-Pressure Common Rail fuel injection system is computer controlled to deliver a precise quantity of pressurised fuel into the redesigned engine combustion chamber by multiple injections.



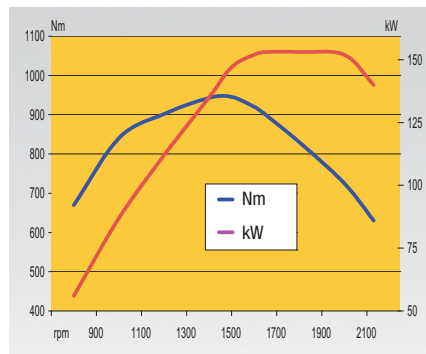
## More fuel-saving technology

The selectable engine mode and adjustable idle shutdown are tools to considerably lower fuel usage. The WA380-7's Eco-Gauge displays active recommendations on the cab's monitor to help you maximise those fuel savings. For more fuel economy, the electronically controlled hydraulics pumps for the work and steering system prevent wasted hydraulic flow and deliver the exact amount of oil required for all movements of the machine.



### Large-capacity torque converter with standard lock-up

With its large-capacity torque converter, the completely redesigned Komatsu drive train offers optimum efficiency and an unparalleled rimpull-to-weight ratio. By delivering high rimpull at low speeds, it makes child's play of heavy jobs like penetration of dense material such as aggregate. This means higher productivity in V-Shape loading, even in confined spaces.



### Faster Load & Carry

The sequential torque converter lock-up system delivers unbeatable productivity and fuel efficiency in Load & Carry and short distance transport applications. The operator can engage the system from 2nd to 4th gear. It noticeably increases travel speed, particularly when going uphill, thanks to the larger tractive force. It also significantly reduces fuel consumption by eliminating converter losses.



# Excellent Stability and Manoeuvrability

## Wide tread and long wheelbase

A 2.160 mm wide tread and a long wheel base of 3.300 mm give the WA380-7 outstanding stability – enough to handle rough terrain and fast load & carry cycles with minimum spillage and maximum comfort. With 40° steering articulation to both sides, the WA380-7 is extremely manoeuvrable in tight spaces for faster loading cycles.

## Superior dumping height and reach

The long lifting frame allows an enormous dumping height of 2.905 mm and a reach of 1.100 mm that is just as impressive (with a 3,1 m<sup>3</sup> bucket, measured to the cutting edge). With this working range, loading high feeders or trucks becomes easy and fast.

## Precision control

Komatsu's CLSS hydraulics enables extremely precise control of the work equipment, and ensures that the bucket, boom and hydraulically driven attachments can all move smoothly at the same time. The WA380-7 also features variable-displacement pumps on both the hydraulic and steering systems. These pumps deliver the exact amount of oil required, dramatically improving fuel efficiency.

## Boom suspension system

The boom suspension system reduces the shocks in the boom when driving with loads. Material can be transported at higher speeds with minimum spillage. When travelling below 7 km/h, the boom suspension is automatically deactivated for precise pallet loading into trucks.







# Simple & Convenient Handling

## New monitoring system

The WA380-7 has a brand new machine monitoring system that manages all essential functions. Specific settings can be saved in the attachment management program to speed up work in applications requiring a frequent change of buckets or other attachments.

## “By Wire” operating

The new Electronic Pilot Control (EPC) lever console is integrated with the seat and can be easily adjusted to suit any operator. The short levers are fingertip controlled for precise and fatigue-free operating, with a no-vibration modulating function for slowing and stopping a lowering bucket. The upper and lower boom cut-out position can be pre-set with a switch and EPC has a semiautomatic excavating function for the simple filling of buckets.

## Auto-kickdown

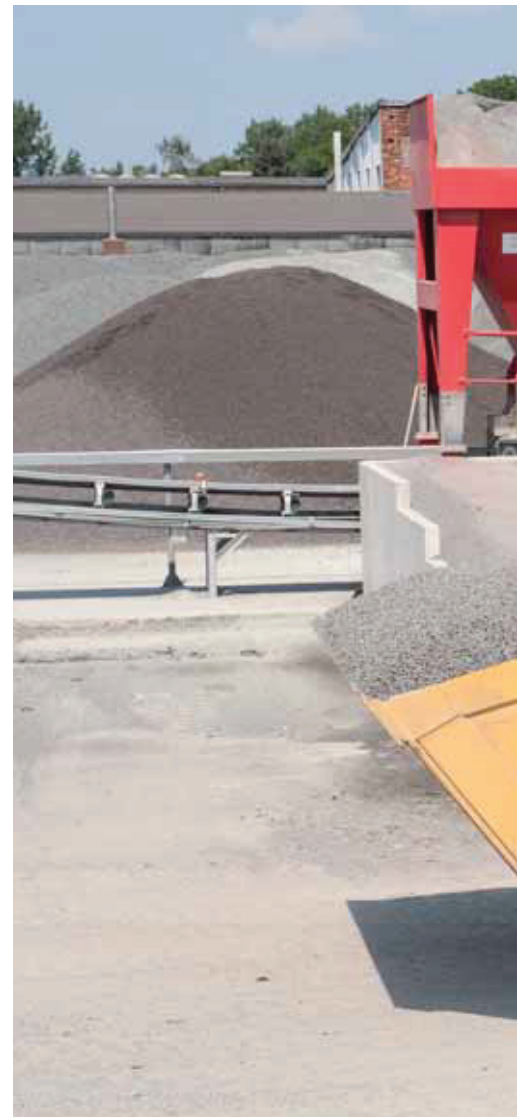
The WA380-7 can automatically shift down from F2 to F1 to make operations easier and more productive.

## Intelligent gas pedal

To reduce fuel usage, Komatsu’s innovative new thrust-sensing gas pedal automatically helps you match the timing of gear shifts to the load. In heavy-duty work, requiring high rimpull and maximum acceleration, we tend to press heavily on the gas pedal. The WA380-7 anticipates this and shifts up gears as late as possible. In light-duty work, where fuel consumption is a major factor, the operator will intuitively press the gas pedal lightly. Again, the machine anticipates this – and shifts up gears as early as possible to achieve highest fuel efficiency.

## EPC-Multifunction lever (option)

The EPC-multi-function lever with an integrated forward/reverse switch allows the simplest and most comfortable operation of the equipment. With one hand the driver can simultaneously control the attachment and switch between forward and reverse. The multi-function lever is the perfect choice for earth moving jobs.







# First-Class Operator Comfort

## Newly designed SpaceCab™

The WA380-7 cab features ample storage room with a large boot box, a storage box on the left hand side and a hot or cold box on the right. For ideal Komatsu comfort, climate control can be set to the desired temperature, and the angle of the armrest is fully adjustable. The new user friendly TFT colour monitor has a highly intuitive interface. Easily customized, with simple switches or multifunction keys and a choice of 25 languages, it gives you fingertip access to a wide range of functions and operating information to enable safe, accurate and smooth work.

## Low noise design

The large cab is built on Komatsu's unique ROPS/FOPS viscous mounts. The low-noise engine, the hydraulically driven fan, and the hydraulic pumps are mounted with rubber cushions, and the sealing and noise insulation material provide a quiet, low-vibration, and dustproof environment. Ear noise levels inside the cab are reduced to just 68 db(A).

## Fully air suspended operator station

The wide spacious cab features a new, fully air suspended operator control station that incorporates the side consoles mounted together with a high back, fully adjustable seat, heated (optional) for improved comfort.

## Improved operator convenience

With increased in-cab storage space, an auxiliary input (MP3 jack) and 12 V and 24 V power supply, the cab offers maximum convenience. The automatic air conditioner allows the operator to easily and precisely set the cab's atmosphere.

## Rear view camera

A standard fitment camera gives an exceptionally clear view of the rear work zone on the wide-screen colour monitor panel. The low profile camera is adjustable and integrated into the engine hood's shape.



Auxiliary input (MP3 jack)



New monitoring system







# Easy Maintenance



Komatsu CARE is a complimentary maintenance program for Komatsu customers that comes as standard with every new Komatsu EU Stage IIIB construction machine. For the first 3 years or 2.000 hours it covers factory-scheduled maintenance, performed by Komatsu-trained technicians with Komatsu Genuine parts. It also offers up to a maximum of 2 complimentary Komatsu Diesel Particulate Filter (KDPF) exchange units and a KDPF warranty for the first 5 years or 9.000 hours.

## Easy access to service points

For easy and safe opening the gull-wing doors are supported by gas springs. The large doors give a convenient access from ground level to all daily service points. With long service intervals and all filters collected in a centralised arrangement, machine downtime is reduced to a minimum.

## Wide core radiator with auto reverse fan

A wide core radiator prevents clogging even when working in a dusty environment. To minimize manual cleaning, a reversible fan blows dust out, automatically or on demand. The “automatic reverse” function allows to set the cleaning length and the time between cleaning to adjust perfectly to the working conditions.

## Diesel particulate filter regeneration

No interruption or extension of daily work is required to regenerate the diesel particle filter system. Due to its superior Komatsu technology, KDPF regeneration takes place automatically, at any time.

## Equipment Management Monitoring System (EMMS)

The new large high resolution monitor panel displays various machine information and allows for multiple settings. The “Operation Records” menu shows records of the average fuel consumption, idling hours, and other features. Abnormality codes are clearly displayed and stored to alert you and simplify troubleshooting. The monitor also provides for advanced monitoring of the system parameters through the Service Mode to aid in troubleshooting and reduce downtime.









# Komatsu Wireless Monitoring System

## The easy way to higher productivity

KOMTRAX™ is the latest in wireless monitoring technology. It delivers insightful and cost saving information about your fleet and equipment and offers you a wealth of information to facilitate peak machine performance. By creating a tightly integrated web of support it allows pro active and preventive maintenance and helps you to efficiently run a business.

## Knowledge

You get quick answers to basic and critical questions about your machines - what they're doing, when they did it, where they're located, how they can be used more efficiently, and when they need to be serviced. Performance data is relayed by satellite from your machine to your computer and to your local Komatsu distributor - who's readily available for expert analysis and feedback.

## Convenience

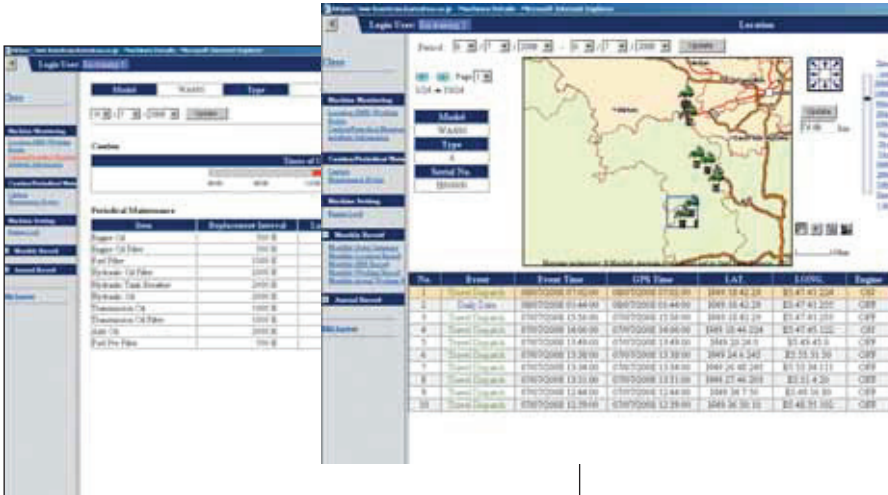
KOMTRAX™ helps to conveniently manage your fleet on the web, wherever you are. Data is analysed and packaged specifically for easy and intuitive viewing in maps, lists, graphs and charts. You can anticipate the type of service and parts your machines could require, or troubleshoot problems before Komatsu technicians arrive on site.



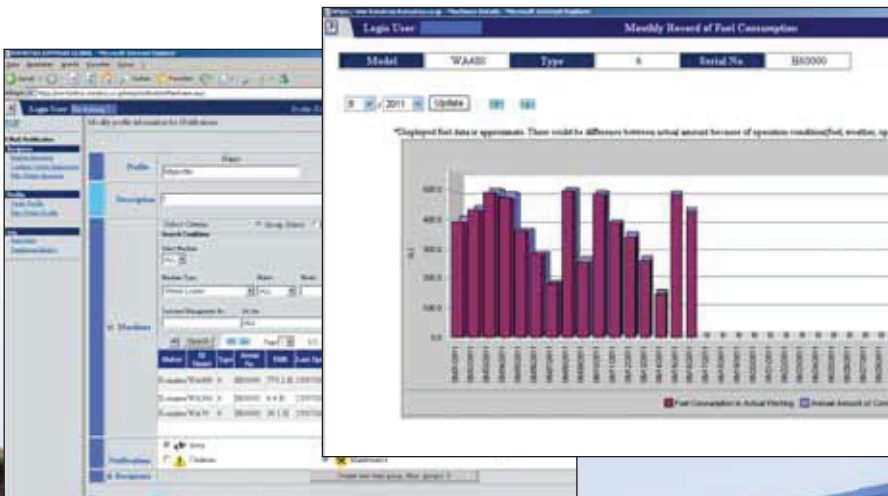


## Power

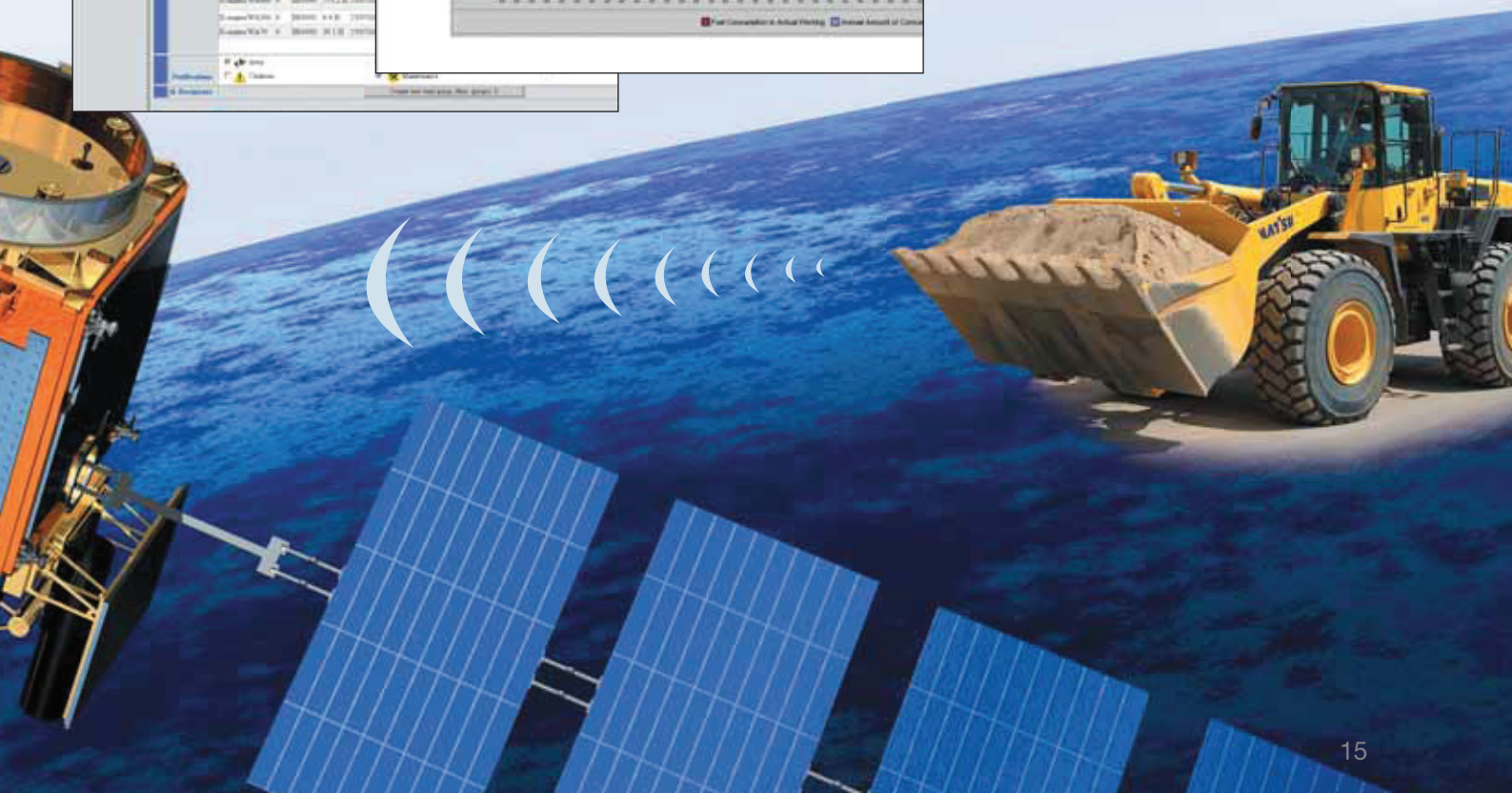
The detailed information that KOMTRAX™ puts at your fingertips 24 hours a day, 7 days a week gives you the power to make better daily and long-term strategic decisions. You can anticipate problems, customize maintenance schedules, minimize downtime and keep your machines where they belong – working on the job site.



Through the web application, a variety of search parameters are available to quickly find information about specific machines based on key factors such as utilization rates, age, various notification messages, and more.



A simple chart shows the machine's fuel consumption and helps you to calculate total costs for a job site and conveniently schedule fuel deliveries.





# Robust and Reliable

## Designed and built by Komatsu

The engine, hydraulics, power train, front and rear axles are original Komatsu components. All these components are subject to the highest quality standards right down to the smallest screw. All components are fully co-ordinated with one another, thus offering the maximum efficiency and reliability.

## Heavy-duty axles

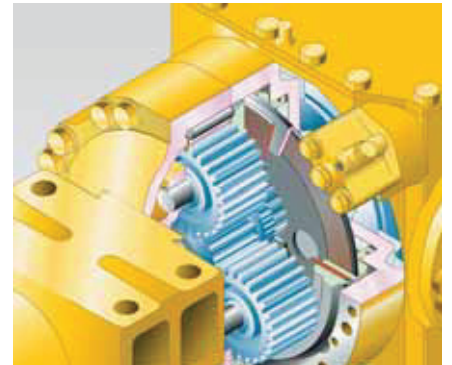
The heavy-duty axles allow exceptional service life even under the toughest working conditions. The optional limited slip differentials are most suitable for soft and slippery ground like sand or wet soil.

## Wet multi-disc service brake

The multi-disc service brake is encapsulated and runs in an oil bath. The brake stays clean and operates at low temperature for increased service intervals and a long lifetime.

## Robust torsion-resistant main frame

The frame design with hinge points far apart guarantees the high stability for the overall construction and reduces bearing stress in the torsional ranges.









# Tailored Solutions

## Working gear division

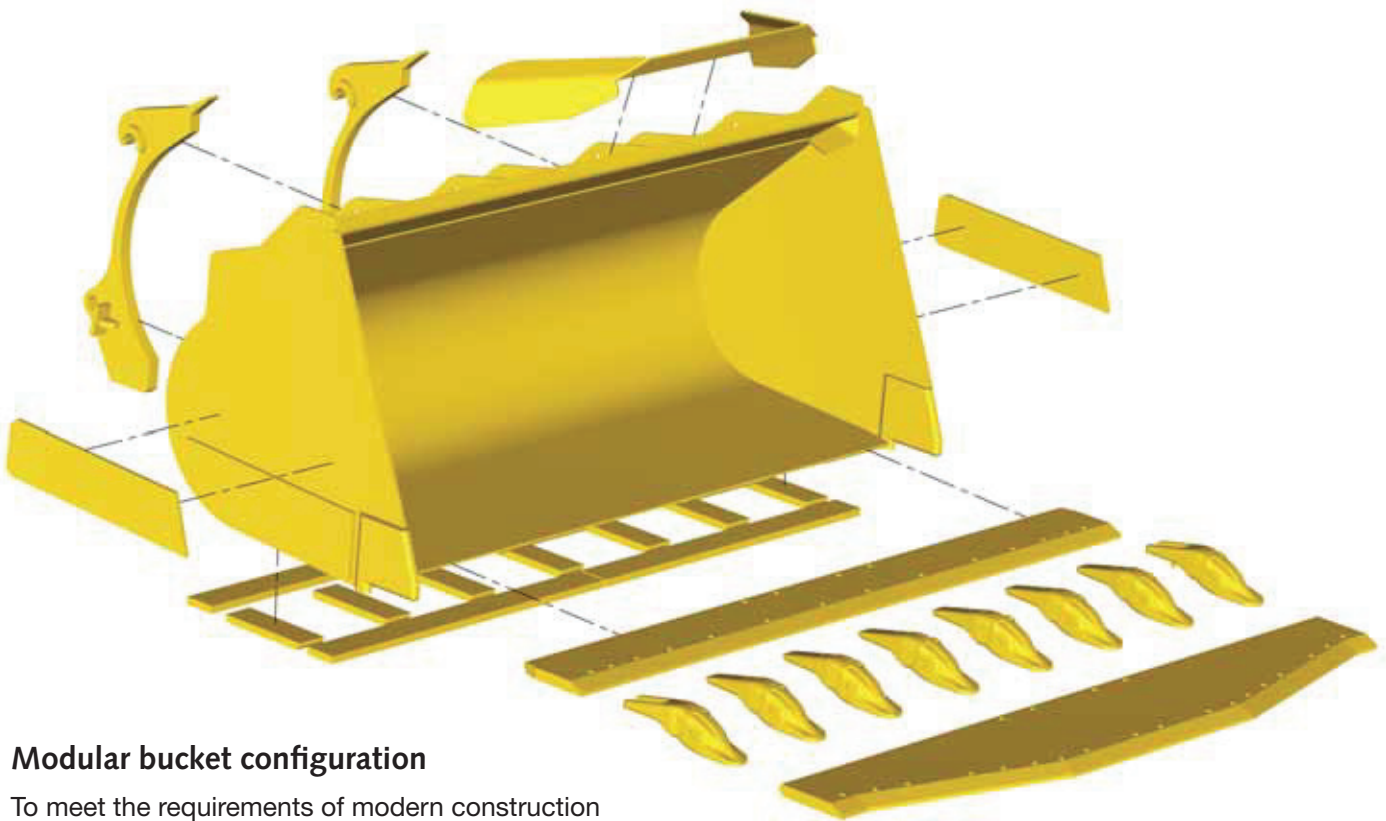
Komatsu wheel loaders combined with a wide range of genuine Komatsu attachments provide the perfect solution for any industry sector. For special applications our “Working Gear” division offers purpose-built machines and attachments. The tailor made solutions allow high performance and outstanding reliability even under toughest conditions.

## Waste handling

We adapt our wheel loaders to the different conditions that exist on waste handling job sites. Along with heavy duty attachments, we offer solutions to protect your machine against damage.







## Modular bucket configuration

To meet the requirements of modern construction business and to consider individual customers' requests, the modular bucket configurator offers to compose your own favourite bucket design for specific applications. This tailor-made configuration lets you achieve maximum efficiency, productivity and reliability.



## Hydraulic quick-coupler

The WA380-7 can change attachments in a matter of seconds with the HD hydraulic quick-coupler, available as optional equipment.



## Mulch grab bucket

Perfectly suited for picking up bulky and compressible materials like gardening or plastic waste, etc. Without the side plates, this bucket can be used also as a grapple.



## High dump bucket

For maximum dumping heights with light materials like coal or wood-chips. The dump cylinders are located either inside or outside the bucket.

# Specifications

## ENGINE

Model ..... Komatsu SAA6D107E-2  
Common rail direct injection, water-cooled, emissionised, turbocharged, after-cooled diesel

Engine power  
at rated engine speed ..... 2.100 rpm  
ISO 14396 ..... 143 kW / 192 HP  
ISO 9249 (net engine power) ..... 142 kW / 191 HP

Max. torque / engine speed ..... 941 Nm / 1.450 rpm

No. of cylinders ..... 6

Bore × stroke ..... 107 × 124 mm

Displacement ..... 6,69 ltr

Fan drive type ..... Hydraulic

Alternator ..... 60 A/24 V

Starter motor ..... 5,5 kW/24 V

Filter ..... Main-flow filter with water separator

Air-filter type ..... Dry-air filter with automatic dust emission and preliminary purification including a dust display

## TRANSMISSION

Type ..... Automatic powershift transmission

Torque converter ..... One-stage, two-phase, 3-element, with lock-up clutch

### Speeds in km/h (with 23.5 R25 tyres)

Gear	1.	2.	3.	4.
Forward	6,6	11,7	20,9	36,1
with torque converter lock-up	–	12,4	22,5	40,0
Reverse	7,1	12,4	22,3	38,6
with torque converter lock-up	–	13,3	24,1	40,0

## CHASSIS AND TYRES

System ..... 4-wheel drive

Front axle ..... Komatsu HD axle, semi-floating, (LSD-differential optional)

Rear axle ..... Komatsu HD axle, semi-floating, 26° swing angle (LSD-differential optional)

Differential ..... Spiral bevel gear pair

Final drive ..... Planetary gear in an oil bath

Tyres ..... 23.5 R25

## SERVICE REFILL CAPACITIES

Cooling system ..... 54 ltr

Fuel tank ..... 300 ltr

Engine oil ..... 23 ltr

Hydraulic system ..... 142 ltr

Front axle ..... 40 ltr

Rear axle ..... 40 ltr

Torque converter and transmission ..... 54 ltr

## BRAKES

Operating brakes ..... Hydraulically actuated, wet multi-disc brakes on all wheels

Parking brake ..... Wet multi-disc

Emergency brake ..... Uses the parking brake

## HYDRAULIC SYSTEM

Type ..... Komatsu CLSS (Closed Centre Load Sensing System)

Hydraulic pump ..... Variable piston pump

Working pressure ..... 320 kg/cm<sup>2</sup>

Maximum pump flow ..... 205 ltr/min

No. of hydraulic/bucket cylinders ..... 2/1

Type ..... Double-action

Bore diameter × stroke

Boom cylinder ..... 130 × 713 mm

Bucket cylinder ..... 150 × 535 mm

Hydraulic cycle with rated load bucket filling

Raise time ..... 5,9 s

Lowering time (empty) ..... 3,3 s

Dumping time ..... 1,8 s

## STEERING SYSTEM

System ..... Articulated frame steering

Type ..... Completely hydraulic power steering

Steering angle to either side ..... 40°

Steering pump ..... Variable piston pump

Working pressure ..... 250 kg/cm<sup>2</sup>

Pumping capacity ..... 137 ltr/min

No. of steering cylinders ..... 2

Type ..... Double-action

Bore diameter × stroke ..... 75 × 442 mm

Smallest turn (outer edge of the tyre 23.5 R25) ..... 6.320 mm

## CABIN

Two-door SpaceCab™ in conformity with ISO 3471 with ROPS (roll over protective structure) in conformity with SAE J1040c and FOPS (falling object protective structure) in conformity with ISO 3449. The air-conditioned pressurised cabin is mounted upon hydrobearings and is noise dampened.

## ENVIRONMENT

Engine emissions ..... Fully complies with EU Stage IIIB and EPA Tier 4 interim exhaust emission regulations

### Noise levels

LwA external ..... 106 dB(A) (2000/14/EC Stage II)

LpA operator ear ..... 68 dB(A) (ISO 6396 dynamic test)

### Vibration levels (EN 12096:1997)\*

Hand/arm ..... ≤ 2,5 m/s<sup>2</sup> (uncertainty K = 0,98 m/s<sup>2</sup>)

Body ..... ≤ 0,5 m/s<sup>2</sup> (uncertainty K = 0,34 m/s<sup>2</sup>)

\* for the purpose of risk assessment under directive 2002/44/EC, please refer to ISO/TR 25398:2006.

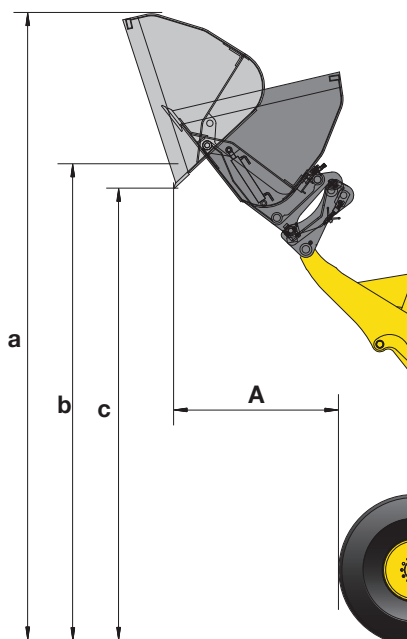


# Dimensions & Performance Figures

## MEASUREMENTS AND WORKING SPECIFICATIONS

		High-dump bucket
Sales code		BP 2285
Bucket mount (direct/quick-coupler)		direct
Bucket capacity (heaped, ISO 7546)	m <sup>3</sup>	6,0
Material density	t/m <sup>3</sup>	0,85
Bucket weight	kg	2.420
Bucket width	mm	3.000
Operating weight*	kg	19.715
Rated load	kg	5.100
Static tipping load, straight*	mm	12.735
Static tipping load, 40° articulated*	mm	11.160
Turning radius at bucket edge	mm	7.435
A Reach at 45°	mm	2.645
a Height top edge of bucket	mm	6.525
b Max. loading height at 45°	mm	4.755
c Dumping height at 45°	mm	4.405

\* with add. counterweight



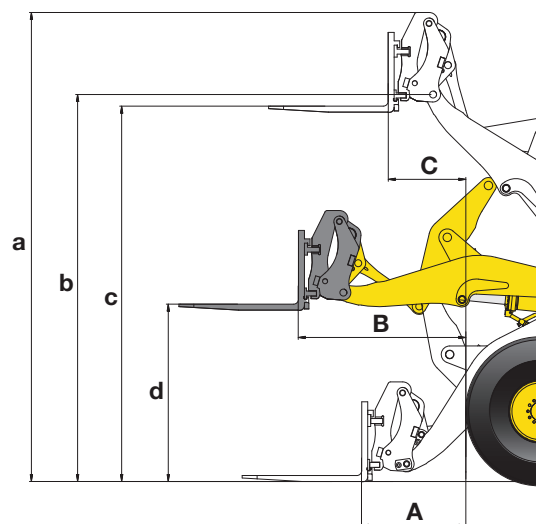
## MEASUREMENTS AND WORKING SPECIFICATIONS

		Light material bucket	Waste handling bucket
Sales code		BP 2125	BP 2291
Bucket mount (direct/quick-coupler)		QC	QC
Bucket capacity (heaped, ISO 7546)	m <sup>3</sup>	6,5	5,0
Material density	t/m <sup>3</sup>	0,8	1,00
Bucket weight	kg	2.400	1.840
Bucket width	mm	3.170	3.000
Operating weight*	kg	19.700	19.135
Rated load	kg	5.200	5.310
Static tipping load, straight*	mm	13.135	12.985
Static tipping load, 40° articulated*	mm	11.455	11.385
Turning radius at bucket edge	mm	7.520	7.380
A Reach at 45°	mm	1.640	1.400
a Height top edge of bucket	mm	6.095	6.045
b Max. loading height at 45°	mm	3.865	3.865
c Dumping height at 45°	mm	2.445	2.615

\* with add. counterweight

## MEASUREMENTS AND WORKING SPECIFICATIONS

		Fork tines
Sales code		C24
Fork tine length	mm	1.500
A Max. reach at ground level	mm	1.020
B Max. reach	mm	1.680
C Max. reach at max. stacking height	mm	820
a Max. height fork-carrier	mm	4.930
b Hinge pin height	mm	4.095
c Max. stacking height	mm	3.925
d Height of forks at maximum reach	mm	1.885
Max. tipping load, straight	kg	10.250
Max. tipping load, articulated	kg	9.195
Max. payload as per EN 474-3, 80%	kg	7.000
Max. payload as per EN 474-3, 60%	kg	5.375
Weight in working order with fork tines	kg	18.115



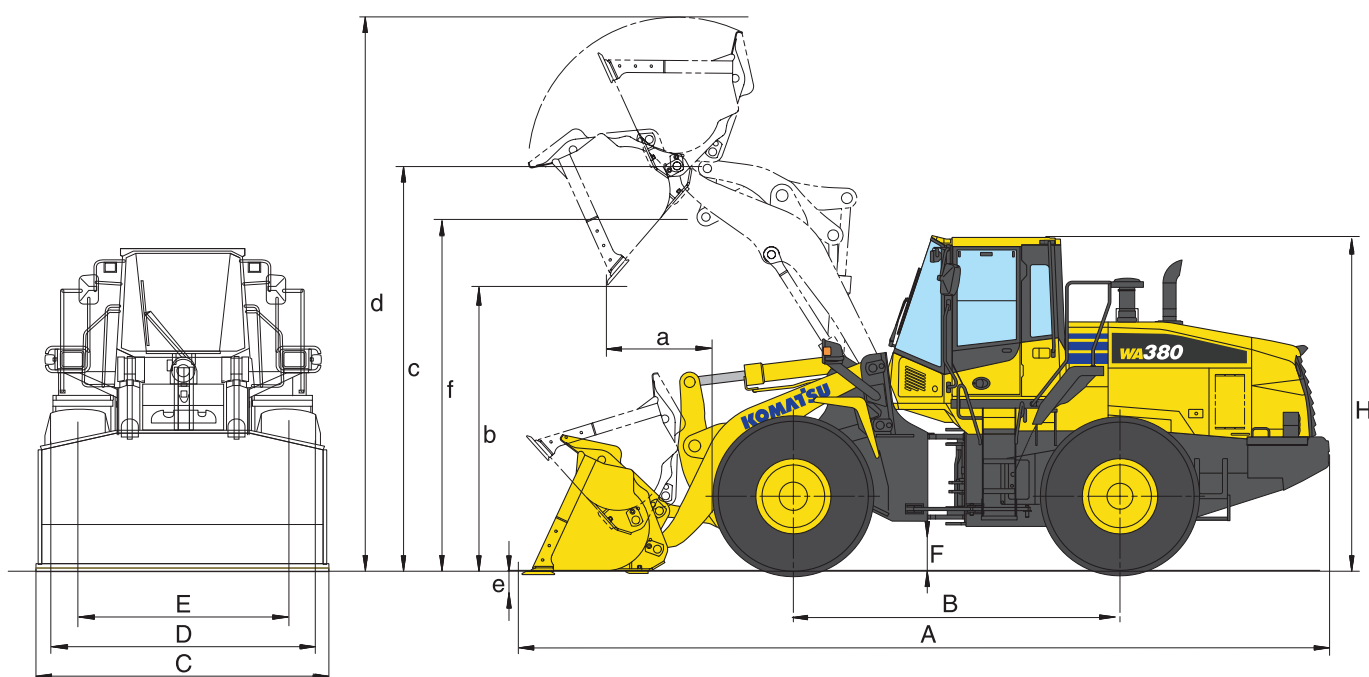
# Dimensions & Performance Figures

## MEASUREMENTS AND WORKING SPECIFICATIONS

Bucket type		Bucket with raised bottom			
		w. teeth	w. BOC	w/o teeth	w. BOC
Bucket capacity (heaped, ISO 7546)	m <sup>3</sup>	<b>3,2</b>	<b>3,35</b>	<b>3,6</b>	<b>3,75</b>
Sales code	3982	S03	S03	S04	S04
Material density	t/m <sup>3</sup>	1,80	1,70	1,60	1,50
Bucket weight	kg	1.615	1.725	1.690	1.800
Static tipping load, straight	kg	14.565	14.290	14.645	14.370
Static tipping load, 40° articulated	kg	12.890	12.635	12.960	12.695
Break-out force hydraulic	kN	163	151	162	150
Lifting capability hydr. at ground level	kN	154	150	152	149
Operating weight (without add. counterw.)	kg	18.510	18.625	18.585	18.695
Turning radius at corner of tyres	mm	6.320	6.320	6.320	6.320
Turning radius at bucket edge	mm	7.305	7.265	7.305	7.265
a Reach at 45°	mm	1.235	1.110	1.235	1.110
b Dumping height at 45°	mm	2.790	2.895	2.790	2.895
c Hinge pin height	mm	4.095	4.095	4.095	4.095
d Height top edge of bucket	mm	5.585	5.585	5.760	5.760
e Digging depth	mm	120	120	90	90
f Max. loading height at 45°	mm	3.785	3.785	3.785	3.785
A Overall length, bucket grounded	mm	8.225	8.380	8.225	8.380
B Wheel base	mm	3.300	3.300	3.300	3.300
C Bucket width	mm	2.990	2.990	2.990	2.990
D Width over tyres	mm	2.765	2.765	2.765	2.765
E Track width	mm	2.160	2.160	2.160	2.160
F Ground clearance	mm	450	450	450	450
H Overall height	mm	3.395	3.395	3.395	3.395

All measurements with tyres 23.5 R25.

Details of dumping heights and reach to cutting edge or bolt-on cutting edge (BOC) or teeth







Bucket with flat bottom				Change in data caused by						
w/o teeth	w/o teeth	w. teeth	w. BOC	Quick-coupler	Spade nose	Wear protection set (RB)	Wear protection set (FB)	Add. counterweight	Tyres XMINE L5	High-lift (w. add cw)
<b>3,1</b>	<b>3,25</b>	<b>3,5</b>	<b>3,65</b>							
S11	S11	S12	S12							
1,80	1,75	1,60	1,55							
1.650	1.760	1.720	1.835	- 150		+ 25	+ 285			
14.335	14.105	14.460	14.185	- 1.100	+ 125	- 25	- 340	+ 855	+ 550	- 3.275 <sup>1)</sup>
12.690	12.465	12.790	12.520	- 975	+ 110	- 25	- 340	+ 715	+ 460	- 2.770 <sup>2)</sup>
164	153	164	152	- 30	- 20					- 30
152	149	151	148	- 15						- 10
18.545	18.655	18.620	18.730	+ 400	+ 85		+ 285	+ 245	+ 720	+ 665
6.320	6.320	6.320	6.320							
7.300	7.260	7.300	7.260	+ 55	- 10					+ 240
1.225	1.100	1.225	1.100	+ 175	+ 140				- 25	+ 140
2.800	2.905	2.800	2.905	- 175	- 105				+ 45	+ 530
4.095	4.095	4.095	4.095							+ 530
5.575	5.575	5.750	5.750	+ 170						+ 530
120	120	90	90		- 20					+ 55
3.810	3.810	3.810	3.810				- 25			+ 520
8.195	8.365	8.195	8.365	+ 245	+110		+ 120			+ 595
3.300	3.300	3.300	3.300							
2.990	2.990	2.990	2.990							
2.765	2.765	2.765	2.765						+ 35	
2.160	2.160	2.160	2.160							
450	450	450	450							
3.395	3.395	3.395	3.395							+ 45

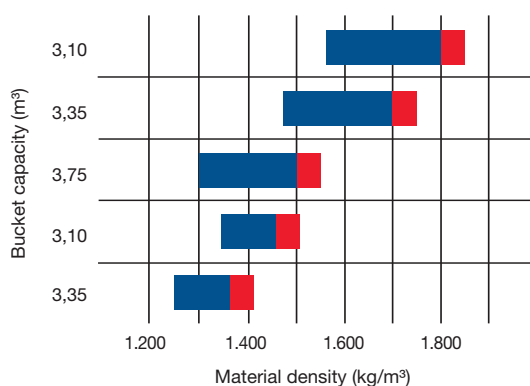
<sup>1)</sup> Bucket mount (direct/quick-coupler): - 3.275 mm/- 3.000 mm

<sup>2)</sup> Bucket mount (direct/quick-coupler): - 2.770 mm/- 2.500 mm

### TYPICAL MATERIAL DENSITY – LOOSE (IN kg/m<sup>3</sup>)

Basalt .....	1.960	Gravel, unscreened .....	1.930	Sandstone .....	1.510
Bauxite, Kaolin .....	1.420	Gravel, dry .....	1.510	Slate .....	1.250
Earth, dry, ex store .....	1.510	Gravel, dry, 6-50 mm .....	1.690	Slag, broken .....	1.750
Earth, wet, excavated.....	1.600	Gravel, wet, 6-50 mm.....	2.020	Stone, crushed .....	1.600
Gypsum, broken.....	1.810	Sand, dry, loose .....	1.420	Clay, natural .....	1.660
Gypsum, crushed.....	1.600	Sand, damp .....	1.690	Clay, dry .....	1.480
Granite, broken.....	1.660	Sand, wet .....	1.840	Clay, wet.....	1.660
Limestone, broken.....	1.540	Sand and clay, loose.....	1.600	Clay and gravel, dry.....	1.420
Limestone, crushed.....	1.540	Sand and gravel, dry .....	1.720	Clay and gravel, wet.....	1.540

115 100 95%
   
 Bucket fill factor



Bucket with flat bottom  
 w. teeth  
 Bucket with raised bottom  
 w. BOC  
 Bucket with raised bottom  
 w. BOC  
 Bucket with flat bottom  
 w. teeth (high-lift mount)  
 Bucket with raised bottom  
 w. BOC (high-lift mount)

# Wheel Loader

## WA380-7

### Standard and Optional Equipment

#### ENGINE

Komatsu SAA6D107E-2 turbocharged common rail direct injection diesel engine	●
EU Stage IIIB/EPA Tier 4 interim compliant	●
Komatsu SmartLoader Logic	●
Adjustable idle shutdown	●
Fuel filter with water separator	●
Batteries 2 × 180 Ah/2 × 12 V	●

#### CHASSIS AND TYRES

Heavy-duty axles	●
Front fenders	●
Limited-slip differential (LSD) front and rear	○
Tyres 23.5 R25 L2, L3, L5	○
Tyres 650/65 R25 L3	○
Full rear fenders	○

#### HYDRAULIC SYSTEM

2-spool main control valve	●
EPC fingertip control, two levers, including: - Bucket stop modulation - Boom stop pre-setting - Semiautomatic dig function	●
Automatic return-to-dig	●
3-spool main control valve	○
EPC fingertip control, three levers	○
EPC 1-lever (Multi-function lever) with sliding proportional control for attachments	○
Biodegradable oil for hydraulic system	○

#### SERVICE AND MAINTENANCE

Hydrostat-driven radiator fan with automatic reversing function	●
Wide core radiator	●
KOMTRAX™ - Komatsu wireless monitoring system	●
Komatsu CARE	●
Tool-set	●
Automatic central lubrication	●
Filling tool for central lubrication system	○
Turbo II air pre-cleaner, cyclone type	○

#### CABIN

Spacious double door driver's cab to DIN/ISO	●
ROPS/FOPS frame according to SAE	●
High back air suspension seat, console mounted height adjustable arm rests	●
Retractable seat belt	●
Automatic climate control system	●
Multi-function video compatible colour monitor with Equipment Management and Monitoring System (EMMS) and efficiency guidance	●
CD radio w. auxiliary input (MP3 jack)	●
Hot and cool box	●
Heated rear window	●
Rear window wiper	●
Adjustable steering column	●
2× 12 V power supply	●
Heated, high back air suspension seat with lumbar support, console mounted height adjustable arm rests	○
3-point seat belt	○
Sun roller blind	○

#### TRANSMISSION AND BRAKES

Electronically controlled ECMV automatic transmission with mode selector and variable transmission cut-off	●
Working mode selection system	●
Large-capacity torque converter	●
Torque converter lock-up	●
Auto-kickdown	●

#### OTHER EQUIPMENT

Counterweight	●
Electronically controlled load stabilizer (ECSS II)	●
Special custom colour	○
Add. counterweight 325 kg	○
Anti-corrosion specification	○
Waste-handler specification	○
Cold area kit (engine and cab pre-heating)	○

#### SAFETY EQUIPMENT

Emergency steering system	●
Vandalism protection	●
Back-up alarm	●
Battery main switch	●
Handrails on left/right	●
Rear view camera system	●
Front screen protective grid	○
Shatterproof safety glass front window	○
Fire extinguisher	○
Beacon light	○
Electronic anti-theft lock	○
Electronic anti-theft lock with master key for fleet owners	○
Roof rail	○
Additional convex rear view mirror	○
Optical back-up alarm (strobe light)	○

#### LIGHTING SYSTEM

2 halogen main headlights	●
2 spotlights at front and rear	●
Reversing light	●
Additional lights front and rear	○
Xenon working lights	○
Step light	○

#### ATTACHMENTS

High-lift equipment	○
Hydraulic quick-coupler	○
Modular bucket configuration	○
High-dump buckets	○
Log grapples	○
Fork carrier and tines	○
Waste handling buckets	○
Light material buckets	○

Further equipment on request

The WA380-7 is equipped in accordance with the safety regulations of the machinery guidelines 89/392 EWG ff and EN474.

- standard equipment
- optional equipment

Your Komatsu partner:

# KOMATSU

**Komatsu Europe International NV**  
 Mechelsesteenweg 586  
 B-1800 VILVOORDE (BELGIUM)  
 Tel. +32-2-255 24 11  
 Fax +32-2-252 19 81  
[www.komatsu.eu](http://www.komatsu.eu)

VENSS04200 12/2012

Materials and specifications are subject to change without notice.  
**KOMATSU** is a trademark of Komatsu Ltd. Japan.