

Very narrow aisle truck 1.5 ton

BT vector

A-series

VCE150A



Very Narrow Aisle truck

Truck specifications					VCE150A
Identification	1.1	Manufacturer			BT
	1.2	Model			VCE150A
	1.3	Drive			Electric
	1.4	Operator type			Stand on/Seated
	1.5	Load capacity/rated load	Q	kg	1500
	1.6	Load centre	c	mm	600
	1.9	Wheelbase	y	mm	1655
Weight	2.1	Service weight without battery		kg	6920*
	2.2	Axle load, with load, drive/support arm wheel		kg	4303/5795
	2.3	Axle load, without load, drive/support arm wheel		kg	5182/3415
Wheels	3.1	Drive/support arm wheel			Vulkollan
	3.2	Wheel size, front		mm	Ø 300x100
	3.3	Wheel size, rear		mm	Ø 350x128
	3.5	Wheels, number front/rear (x=driven wheels)			4/2x
	3.6	Track width, front	b ₁₀	mm	1258*
	3.7	Track width, rear	b ₁₁	mm	1010
	Dimensions	4.2	Height, mast lowered	h ₁	mm
4.4		Lift movement	h ₃	mm	8190*
		Total lift height	h ₂₃	mm	10250*
4.5		Height, mast extended	h ₄	mm	11040*
4.7		Height of overhead guard	h ₆	mm	2544
4.8		Step-in height	h ₇	mm	412
4.11		Additional lift	h ₉	mm	1990*
4.14		Platform height, elevated	h ₁₂	mm	8600*
4.15		Height of lowered forks	h ₁₃	mm	80
		Height of auxiliary lift mast	h ₁₅	mm	2780*
4.19		Overall length	l ₁	mm	3846
4.20		Length to face of forks	l ₂	mm	3616
4.21		Overall width	b ₁ /b ₂	mm	1270/1520*
4.22		Fork dimensions	s/e/l	mm	40/120/1200*
4.25		Width over forks	b ₅	mm	793*
4.31		Ground clearance, with load, below mast	m ₁	mm	60
		Turning radius		mm	1698
4.38	Distance front axle to boom pivot	l ₈	mm	828*	
Electric motor/Performance data	5.1	Travel speed, with/without load		km/h	10,0/12,0
	5.2	Lift speed, with/without load		m/s	0,40/0,45
	5.3	Lowering speed, with/without load		m/s	0,40/0,40
	5.10	Service brake			Electric
	5.11	Parking brake			Electro-mechanical
Electric motor	6.1	Drive motor rating S2 60 min		kW	2x5,5
	6.2	Lift motor rating S3 25%		kW	14,5
	6.4	Battery voltage, nominal capacity K _s		V/Ah	48/1240
	6.5	Battery weight		kg	1790
Other	8.1	Type of drive control			Variable AC

* Other dimensions available

All data are based on table configuration. Other configurations may give other values.

Performance and dimensions are nominal and subject to tolerances.

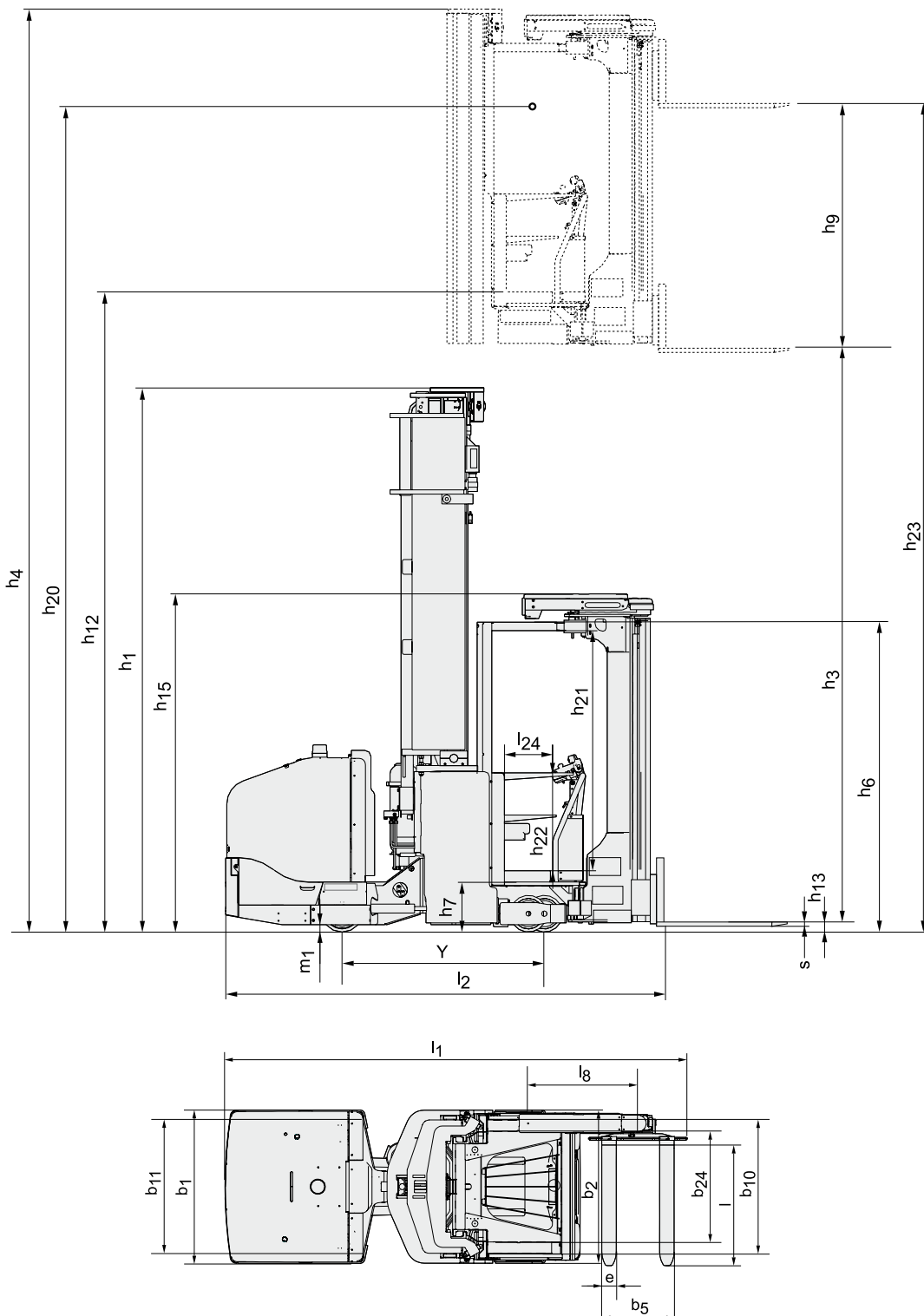
BT products and specifications are subject to change without notice.

Mast dimensions

BT vector

Mast				Triplex Tele									
VCE150A	Platform height	h_{12}	mm	4100	4700	5300	6050	7400	8600	9800	11000	11600	12650
	Lift	h_3	mm	3680	4280	4910	5630	6980	8190	9380	10580	11180	12260
	Total lift height ¹⁾	h_{23}	mm	5750	6350	6950	7700	9050	10250	11450	12650	13250	14300
	Picking height	h_{28}	mm	5700	6300	6900	7650	9000	10200	11400	12600	13200	14250
	Height, mast lowered	h_1	mm	2790	2960	3160	3460	3960	4460	4960	5460	5660	6040
	Height, mast extended	h_4	mm	6540	7140	7740	8490	9840	11040	12240	13440	14040	15090

1) $h_{23} = h_3 + h_9 + h_{13}$



Truck features:

- BT Advanced lifting system (ALS)
- BT Optipace system
- Wire/rail guidance
- Automatic parking brake
- Camera/monitor system
- Clear view mast
- Adjustable seat
- Coldstore version

