

RAMMER RGP28R GRAPPLE



SAFETY VALVE

Avoids material falling off the shells in case of hyd oil missing. Very important SAFETY feature to avoid dangerous accidents.

TWIN ROTATION MOTORS

Lower stress on rotation parts; heavier weight can be handled. Lower owning and operating costs and better productivity.

MANUFACTURED FROM HB400 STEEL

High wear resistance of the components. Equipment can work on most demanding conditions.

STROKE HYDRAULIC BRAKE

Components longer life due to less stress. Less maintenance > lower owning and operating costs.

BOLT ON REPLACEABLE CUTTING BLADES

Can be turned to extend their life before replacing. Less maintenance > lower owning and operating costs.

LIGHT AND STRONG ENOUGH

Can be used on soft and demanding applications such as demolition and recycling. Faster pay off.

EXTERNAL ACCESS FOR SERVICING

Faster service intervals
Less downtime > better productivity.

HARDENED BUSHINGS AND PINS

Higher wear resistance therefore longer life. Lower owning and operating costs.

MECHANICAL CILYNDER STOPPERS

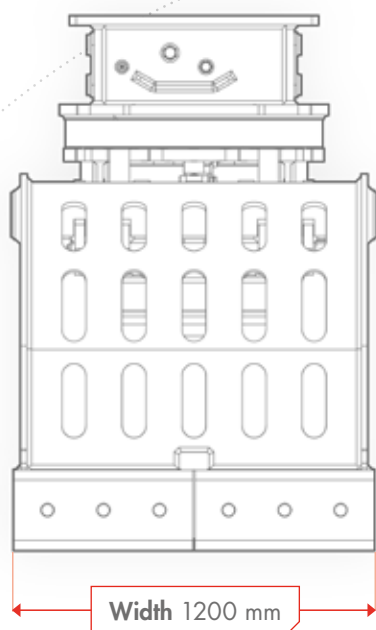
Avoids premature stress at cilynders
Lower owning and operating costs.

RPV GRAPPLE

Rammer RGP Grapples have been designed and tested with demolition in mind. The RGP Grapples are suitable for demolition and material handling applications: robust for heavy work, but also accurate for picking and sorting applications. They offer large volume for bulk loading, making it also ideal for waste handling.

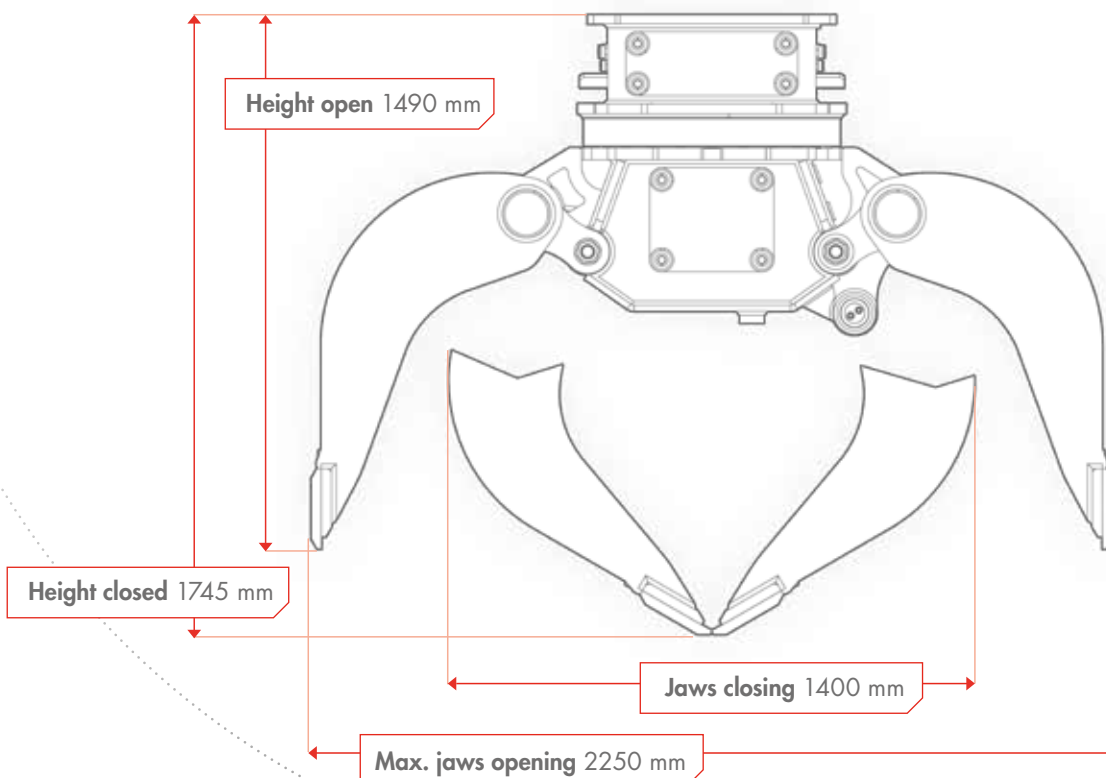
Rammer[®]

RGP28R



SPECIFICATIONS

Working weight, kg	2315
Capacity, liter	900
Working pressure, bar	300-350
Oil flow, l/min	70-80
Rotation oil pressure, bar	130-150
Rotation oil flow, l/min	30-40
Excavator weight, ton	25-30



Sandvik Mining and Construction Oy
Taivalkatu 8, P.O.Box 165
FI-15101 Lahti, Finland
Phone Int. +358 205 44 151
www.rammer.com

**Ram
mer**[®]