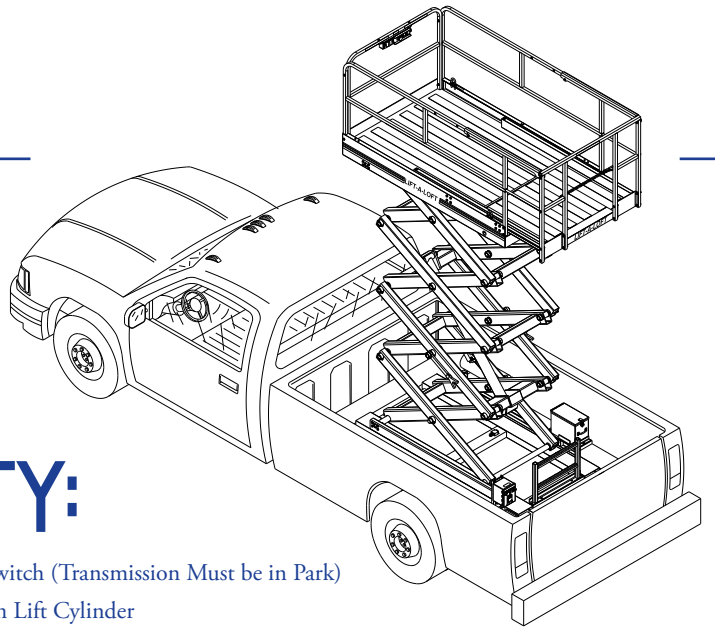




LIFT-A-LOFT

TL 22



APPLICATIONS

NEW CONSTRUCTION

- Framing
- 2nd Story work
(Lifting Insulation, Drywall, Flooring, Windows, etc.)
- Roofing
- Siding
- Painting

HOME REPAIRS

- Second Story Window Replacement
- Siding Work
- Guttering
- Painting
- Chimney Repair
- Tree Trimming

MUNICIPALITIES / DOT

- Sign Work
- Traffic Signal Installation / Repair
- Parking Lot & Street Lights
- Bridge & Tunnel Inspection / Repair
- Holiday Decorating

AIRPORTS AND OTHER USES

- Aircraft Maintenance
- Facilities Maintenance
- Mobile Observation Tower
- Elevated Film Production Stand
- Private Hunting Stand
- Hi-Rail Truck Mounted Applications

SAFETY:

- Neutral Safety Switch (Transmission Must be in Park)
- Holding Valve on Lift Cylinder
- Stabilizers Not Required
- Manual “Emergency Lowering” Controls
- “Emergency Stop” Controls
- Unit Complies with ANSI A92.2
- Lift Cut-out if Unit is in a Tilt of More Than 4°

SPECIFICATIONS:

- Max Platform Height 21' 10" (6.65m) Working Height 27' 10" (8.48m) *
- Platform Width 54" (1.37m)
- Min Platform Height 5' 3" (1.60m) *
- Platform Length 88" (2.24m)
- Minimum Shut Height 8' 6" (2.59m) *
- Main Platform Capacity 500 lbs (226.8kg)
- Extenda-deck 36" Extension (0.91m)
- Extenda-deck Capacity 300 lbs (136.1kg)
- Upper & Lower Control Stations
- 12 VDC Power Recharges from Truck
- TL Unit is Removed or Installed with Fork Lift Truck [2500 lb (1134kg) Capacity] within 5-10 Minutes, Once Mounting Brackets are in Place
- Truck Requirements – 2,650 lb (1202kg) Payload with 6 or 8 ft (1.83 or 2.44m) Bed
- Maintenance Free Pins and Bushings
- *Based On Truck Bed Mounting Height of 32" (0.81m)

INSTALLATION



*Install or Remove in under 15 mins.