



Cat[®] TH414C

TELEHANDLER

Specifications

Engine

Model	Cat [®] C3.4B*
Gross Power	75 kW/101 hp
Maximum Torque	420 N-m/1,400 rpm
Bore	99 mm
Stroke	110 mm
Displacement	3.4 L

*Meets EU Stage IIIB Emission Standards.

Weights

Operating Weight with Carriage and Forks	10 205 kg
--	-----------

Operating Specifications

Rated Load Capacity	3700 kg
Maximum Lift Height	13 700 mm
Maximum Forward Reach	9225 mm
Top Travel Speed	30 km/h
Load at Maximum Height	
Stabilizers Up	1750 kg
Stabilizers Down	3000 kg
Load at Maximum Reach	
Stabilizers Up	350 kg
Stabilizers Down	1150 kg
Outside Turning Radius Over Tires	3805 mm

Service Refill Capacities

Fuel Tank	150 L
Hydraulic Tank	90 L

Tires

Standard	15.5/80-24 16PR
----------	-----------------

Brakes

Service Brakes	Servo assisted on front axle
Parking Brakes	Mechanical on front axle

Hydraulic System

Maximum System Pressure	250 bar
Maximum Pump Flow	113 L/min
Pump Type	Variable displacement load sensing axial piston pump
Auxiliary Hydraulic Supply	
Intermittent	80 L/min
Continuous	60 L/min

Transmission Speeds

Forward	
1	7.1 km/h
2	13.6 km/h
3	20.1 km/h
4	30 km/h
Reverse	
1	7.1 km/h
2	13.5 km/h
3	29.8 km/h

Boom Performance

Boom Up	14.0 seconds
Boom Down	11.9 seconds
Tele In	12.7 seconds
Tele Out	10.3 seconds
Crowd Forward (dump)	3.5 seconds
Crowd Backward	3.0 seconds
Combined	
Up and Out	23.0 seconds
Down and In	13.4 seconds
Drawbar Pull 74.5 kW	75.8 kN
Bucket Breakout Force to ISO 8313	65 kN
Boom Breakout Force	45 kN

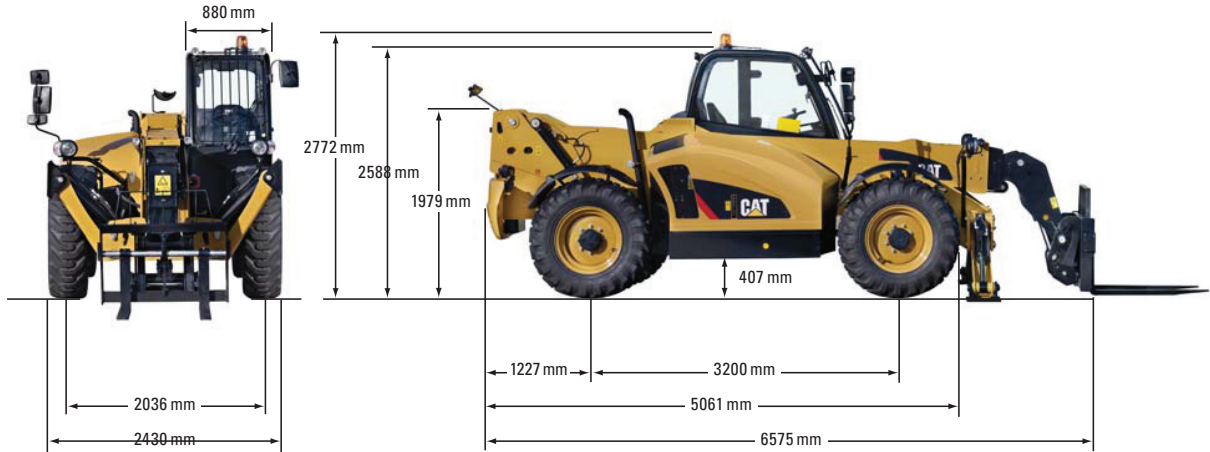
Sound

Operator Sound	77 dB(A)
Exterior Sound (74.5 kW Engine)	106 dB(A)

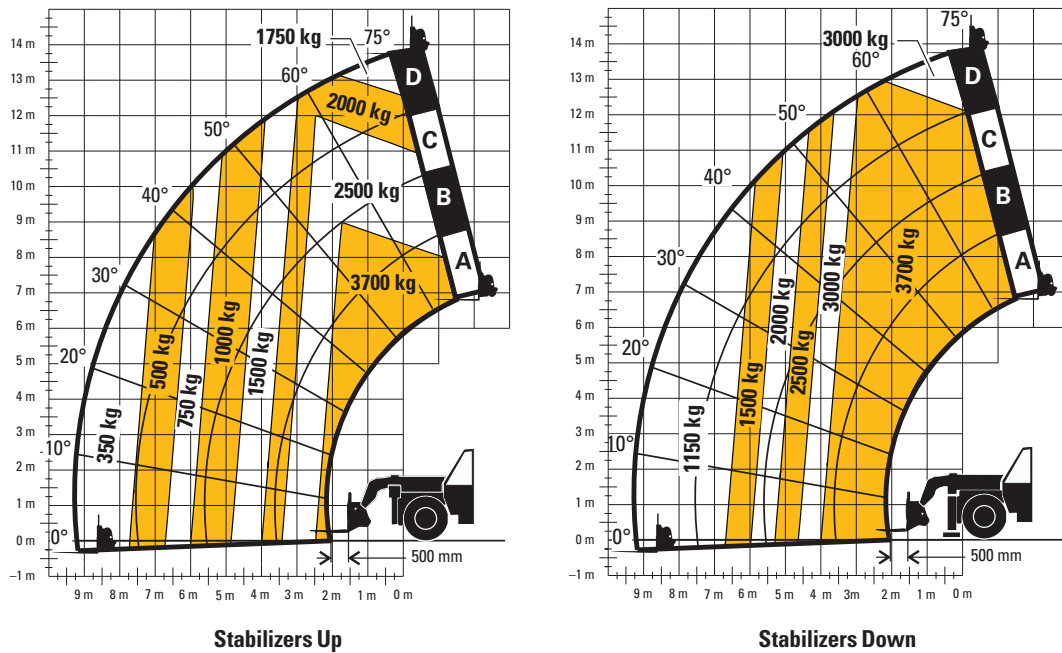


TH414C Telehandler

Dimensions (All dimensions are approximate.)



Load Chart and Dimensions



IMPORTANT

Rated lift capacities shown are with machine equipped with carriage and pallet forks. The machine must be level on a firm surface with undamaged, properly inflated tires. Machine specifications and stability are based on rated lift capacities at specific boom angles and boom lengths. (If specifications

are critical, the proposed application should be discussed with your dealer.)

DO NOT exceed rated lift capacity loads, as unstable and dangerous machine conditions will result.

DO NOT tip the machine forward to determine the allowable load.

Due to continuous product improvements, machine specifications and/or equipment changes may be made without prior notification.

For more complete information on Cat products, dealer services, and industry solutions, visit us on the web at www.cat.com

AEHQ7026 (06-13)

© 2013 Caterpillar Inc.
All Rights Reserved
Printed in U.S.A.

Materials and specifications are subject to change without notice. Featured machines in photos may include additional equipment. See your Cat dealer for available options.

CAT, CATERPILLAR, SAFETY.CAT.COM, their respective logos, "Caterpillar Yellow" and the "Power Edge" trade dress, as well as corporate and product identity used herein, are trademarks of Caterpillar and may not be used without permission.

