

# TH755

Telehandler



**WACKER  
NEUSON**  
*all it takes!*



## Sturdy and stable high stacking: TH755

A simple, convincing design: The TH755 telehandler combines a wheel loader's sturdiness with the lifting height of a telehandler. The TH755 gains even more stability through the support for the telescopic arm integrated into the main chassis. The telescopic arm, which is equipped with a load stabilizer, is very stable and safe. The box profile design ensures that the loading system is ready to meet the most difficult job assignments. Performance and design make the TH755 perfect for applications on the job site.

- Highly sensitive transmission for infinitely variable driving
- Panorama cabin with optimal all-round visibility
- Payload 5.5 tons:
- Powerful Load Sensing work hydraulics
- Engine speed reduction for lower fuel consumption

## TH755 Technical specifications

### Operating data

Lift height (max.)	7,017 mm
Weight	10,500 kg
Turning radius over tires	3,755 mm

### Engine / Motor

Engine / Motor manufacturer	Deutz
Engine performance	115 kW
Displacement	4,038 cm <sup>3</sup>
Emission standards stage	IV
Sound emission at the operator's ear	77 dB(A)

### Power transmission

Traction drive	Wide angle hydrostat
Speed (Standard)	0–20 km/h
Speed (option)	0–30 / 0–40 km/h
Axles	Planetary-steering drive axle
Total pivoting angle	20 °

### Steering and operating hydraulics

Duty pump	Load Sensing
Flow rate	187 l/min
Pressure	260 bar

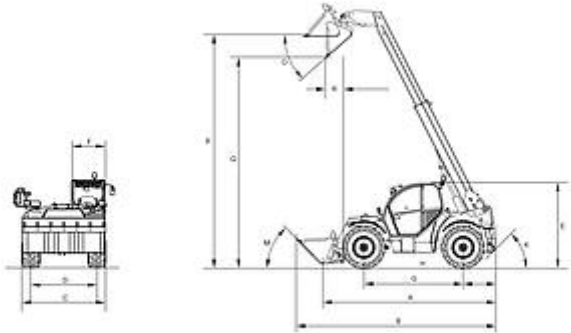
### Kinematics

Bucket capacity	1.2 m <sup>3</sup>
Total rotation angle of the tool carrier	152 °
Payload (max. LC 500 mm)	5,500 kg
Payload (max. LC 600 mm)	4,990 kg
Lift height at max. load	5,500 mm
Payload at max. lifting height	4,000 kg
Payload at max. reach	2,000 kg
Range at max. load	1,890 mm
Range (max.)	3,900 mm

### Filling capacities

Fuel tank capacity	180 l
Hydraulic oil tank	100 l

## TH755 Dimensions



<b>A</b>	Length incl. tool frame	4,985 mm
<b>B</b>	Length with standard bucket	6,160 mm
<b>C</b>	Width with standard tires	2,500 mm
<b>E</b>	Height to cabin roof	2,570 mm
<b>F</b>	Width cabin	990 mm
<b>M</b>	Tilt-in angle bucket	45 °
<b>O</b>	Dump angle bucket	41 °
<b>P</b>	Overhead loading height with standard bucket - extended	6,835 mm
<b>R</b>	Dump reach with standard bucket - extended	495 mm

Please note: that product availability can vary from country to country. It is possible that information / products may not be available in your country. More detailed information on engine power can be found in the operator's manual; the stated power may vary due to specific operating conditions. Subject to alterations and errors excepted. Applicable also to illustrations.  
Copyright © 2019 Wacker Neuson SE.