

TH740

Telehandler



**WACKER
NEUSON**

all it takes!



TH740 Technical specifications

Operating data

| | |
|---------------------------|----------|
| Lift height max. | 7,000 mm |
| Weight operating | 7,850 kg |
| Turning radius over tyres | 3,840 mm |

Engine / Motor

| | |
|-----------------------------|-----------|
| Engine / Motor manufacturer | Deutz |
| Engine performance | 100 kW |
| Emission standards stage | IV |
| Sound emission | 104 dB(A) |

Power transmission

| | |
|-------------------|--------------------------------------|
| Traction drive | Hydrostat |
| Speed (standard) | 20 km/h |
| Speed (option) | 30 / 40 km/h |
| Differential lock | self-locking differential front axle |
| Standard tires | 405/70-24 (AS-tread) |

Steering and operating hydraulics

| | |
|----------------|--------------------------------|
| Duty pump | Load-sensing axial piston pump |
| Flow rate max. | 140 l/min |
| Pressure pump | 260 bar |

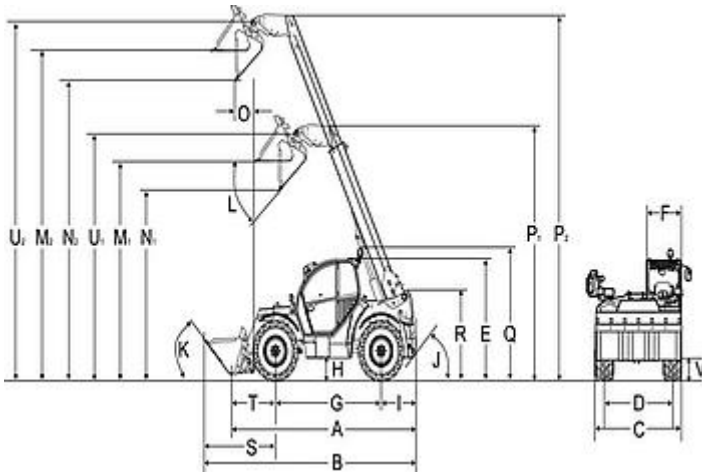
Kinematics

| | |
|------------------------------|----------|
| Payload max. | 4,000 kg |
| Lift height at max. payload | 4,500 mm |
| Payload at max. stack height | 2,400 kg |
| Payload at max. reach | 1,500 kg |
| Range | 1,750 mm |
| Range max. | 3,760 mm |

Filling capacities

| | |
|--------------------|-------|
| Tank capacity DEF | 9.5 l |
| Fuel tank capacity | 100 l |
| Hydraulic oil tank | 100 l |

TH740 Dimensions



| | | |
|-----------|---|----------|
| B | Overall length with bucket | 5,600 mm |
| A | Overall length without bucket | 4,880 mm |
| C | Overall width without bucket | 2,285 mm |
| D | Track width | 1,880 mm |
| E | Height total | 2,310 mm |
| F | Width of cabin | 990 mm |
| G | Wheelbase | 2,850 mm |
| H | Ground clearance | 415 mm |
| I | Center of rear axle to end of vehicle | 830 mm |
| J | Rear actuation angle | 60 ° |
| K | Tilt-in angle | 49 ° |
| L | Dump angle | 41 ° |
| M1 | Overhead loading height - retracted | 4,520 mm |
| M2 | Overhead loading height - extended | 6,820 mm |
| N1 | Dump height max. - retracted | 4,030 mm |
| N2 | Dump height max. - extended | 6,330 mm |
| O | Dump reach - extended | 110 mm |
| P1 | Height - retracted | 5,255 mm |
| P2 | Height - extended | 7,820 mm |
| Q | Overall height with rotating beacon | 2,540 mm |
| R | Height of the telescopic arm bearing in the frame | 1,600 mm |
| S | Center of front axle to tip of teeth | 1,920 mm |
| - | Turning radius at the outer edge of tires | 3,840 mm |
| - | Turning radius t the outer edge of the bucket | 5,000 mm |

Please note: that product availability can vary from country to country. It is possible that information / products may not be available in your country. More detailed information on engine power can be found in the operator's manual; the stated power may vary due to specific operating conditions. Subject to alterations and errors excepted. Applicable also to illustrations.
Copyright © 2019 Wacker Neuson SE.