



**WACKER
NEUSON**
all it takes!

TH955 Telehandler



It aims high – the TH955

The TH955 telehandler from Wacker Neuson, with an 8.75-meter stacking height, is the specialist you need to call on when it's time to aim high. Low fuel consumption at high torque and numerous innovative assistance systems make the largest Wacker Neuson Telehandler TH955 ready to take on the hardest applications in day-to-day operations on the job site.

- 156 PS Deutz engine, exhaust emissions level IV for maximum performance
- Automatic bucket return system for more rapid work cycles
- Infinitely Variable Drive System Ecospeed Plus
- 5.5-ton payload
- increased stability through leveling and oscillating axle lock (optional)



Cab

Any operator can work for hours in the ergonomically designed telehandler cabin in great comfort. The adjustable comfort seat and practically arranged operator's controls permit you to work with even greater precision and functionality. Excellent visibility and low noise level round out the working area.



**WACKER
NEUSON**
all it takes!

Ergonomic Joystick Console

on the operator's seat: everything under control with one hand.



Practical for night job sites :

The joystick and all of the switches are illuminated.



Engine and Transmission

While the engine meets current applicable exhaust emissions standards, it impresses by pairing high performance and economic efficiency:

full power, economical to use.

- Infinitely variable drive system and perfectly tuned drive train for a given engine size.
- Efficient rpm reduction up to 1800 rpm at maximum speed (TH755, TH955): The operator selects the speed via the gas pedal. Once the top speed has been reached, the engine speed is automatically reduced.



Hydraulics and Control Circuits

The telehandler impresses by offering powerful work hydraulics with up to 187 l/min. Besides the rapid loading system work cycles, the hydraulic pumps guarantee operation of special attachments via the 2nd and 3rd control circuit — if needed, even with permanent function. The telehandler can be equipped optionally with more control circuits that expand the range of applications.



Three Types of Steering

Whether driving en route or for tight maneuvers: The Wacker Neuson telehandler proves what it can do with each use thanks to its three different types of steering, making child's play out of the transport of material.

All-wheel steering:

particularly maneuverable due to its 2 x 40 degree steering angle.

Front axle steering:

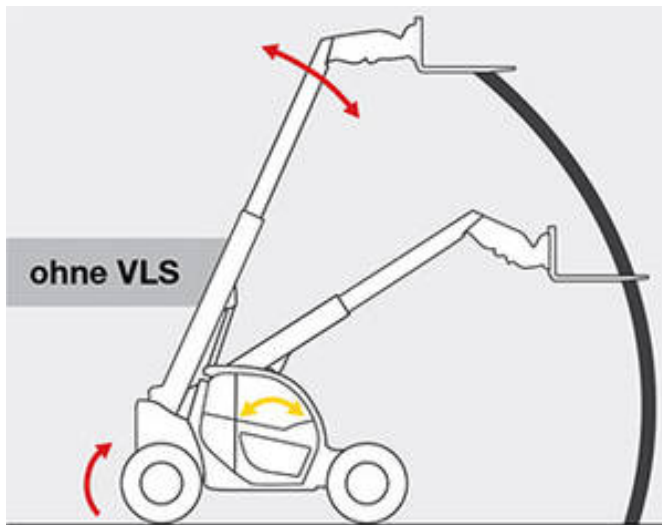
familiar handling even when driving fast on the road.

Crab steering:

ideal for parallel travel and maneuvering in the tightest spaces.

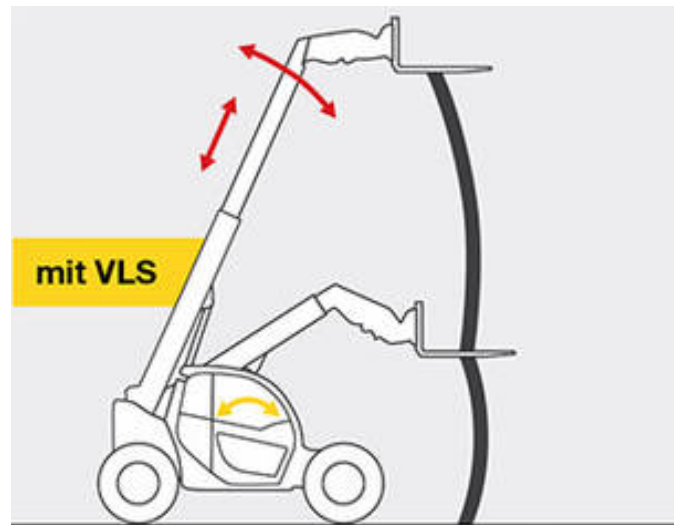
VLS driver assistance system

Work efficiently in complete safety — with the Vertical Lift System (VLS) driver assistance system, you will master this challenge with ease. The smooth and rapid lowering of the telescopic arm with its simultaneous semi-automatic telescopic movement allows even less-experienced operators to operate based on fluid working principles. Additionally, the virtually vertical lifting and lowering movement makes the telehandler very stable.





Conventional systems (without VLS)

The machines can be pushed to their tipping limits purely when lowering.



Driver assistance system VLS

Virtually vertical movement. Hardly any load torque shift in the longitudinal direction of the machine.

-  Operating input
-  Loading system response

Telehandler expertise that provides advantages.



High payloads

Our telehandlers are designed for performance. They assure you rapid and high materials handling capacity during each use.



Work safer than ever

Safe, comfortable and efficient at the same time: In the event, for example, of a risk of overload, the innovative driver assistance system VLS (Vertical Lift System) switches on semi-automatically, intelligently intervening in the telescoping motion, and moving the load downwards in a vertical line.



More visibility, greater safety

You benefit from improved handling and greater safety while working, thanks to an optimal view of the attachment and work environment.



Locate telehandlers at any time

With the Global Monitoring System, you can always determine the exact location of your machines.



**WACKER
NEUSON**
all it takes!



Small turning radius, big power output

The highly maneuverable telehandlers let you turn on a dime, thus giving you ideal maneuverability on the tightest job sites.



We distinguish particularly economical and environment-friendly products, such as the telehandler with VLS, by labelling them with an ECO seal.

www.wackerneuson.com/eco



Technical specifications

Operating data

Lift height (max.)	8,750 mm
Weight	11,000 kg
Turning radius over tires	4,350 mm

Engine / Motor

Engine / Motor manufacturer	Deutz
Engine performance	115 kW
Displacement	4,038 cm ³
Emission standards stage	IV
Sound emission at the operator's ear	78 dB(A)

Power transmission

Traction drive	Wide-angle hydrostat (with auxiliary motor)
Speed (Standard)	0 – 20 km/h
Speed (option)	0 – 30/0 – 40 km/h
Axles	Planetary-steering drive axle
Total pivoting angle	20 °

Steering and operating hydraulics

Duty pump	Load Sensing
Flow rate	187 l/min
Pressure	260 bar

Kinematics

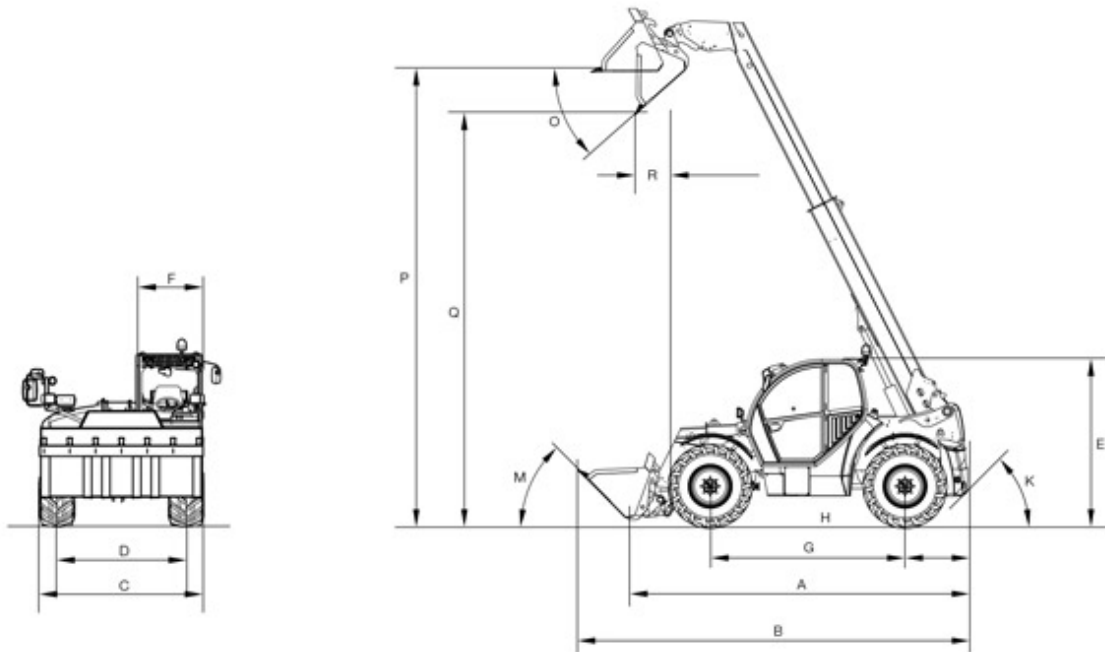
Bucket capacity	1.6 m ³
Total rotation angle of the vehicle carrier	154 °
Payload (max. LSP 500 mm)	5,500 kg
Payload (max. LSP 600 mm)	4,990 kg
Lift height at max. load	8,750 mm
Payload at max. lifting height	1,300 kg
Payload at max. reach	2,200 kg
Range at max. load	2,400 mm
Range (max. stacking)	4,790 mm

Filling capacities

Tank capacity	180 l
Hydraulic oil tank	100 l



Dimensions



A	Length incl. tool frame	5,690 mm
B	Length with standard bucket	6,690 mm
C	Width with standard tires	2,500 mm
E	Height to cab roof	2,520 mm
F	Width cab (interior)	990 mm
M	Tilt-in angle bucket	45 °
O	Dump angle bucket	41 °
P	Overhead loading height with standard bucket	8,498 mm
R	Dump reach with standard bucket	63 mm



**WACKER
NEUSON**
all it takes!

Please note

that product availability can vary from country to country. It is possible that information / products may not be available in your country. More detailed information on engine power can be found in the operator's manual; the stated power may vary due to specific operating conditions.

Subject to alterations and errors excepted. Applicable also to illustrations.

Copyright © 2017 Wacker Neuson SE.