



**Bobcat®**

**TD 40150**





# Bobcat®

# TD 40150

RATED CAPACITY	4000 kg
LIFTING HEIGHT	14430 mm
MAXIMUM REACH	12010 mm
CAPACITY	at max. height 3000 kg
	at max. reach 800 kg
CROWDING FORCE	4000 daN
WEIGHT (unladen)	11500 kg



### FUNCTION TIME

	Seconds
Lift speed	16
Lower speed	30
Telescope in	13
Telescope out	23
Crowding	7
Dumping	3



### 4X4X4 MOTION

4 EQUAL DRIVE AND STEERING WHEELS  
Mobility and motion through 2 automatic steering axles 2 WD - 4WD - CRAB



### TYRES

Standard 18x22"5  
THE STEERING MODE IS SELECTED FROM THE OPERATOR'S CAB



### BRAKES

ENGINE BRAKING Hydrostatic  
MAIN BRAKES Immersed disk brakes acting on both axles  
PARKING AND EMERGENCY BRAKES Negative mechanical brakes acting on both axles



### ENGINE

TYPE PERKINS 1004.40T  
Diesel 4 cylinder / 3990 cc  
DIRECT INJECTION  
WATER COOLING

POWER AT 2200 RPM DIN 6271	HP	kW
TURBO	106	78

MAX. TORQUE TURBO 394 Nm at 1400 rpm



### HYDROSTATIC TRANSMISSION

2 DRIVING MODES: aggressive/smooth  
2 SPEED RANGES: forward and reverse

Working	FWD and REV	0 to 7 km/h
Travel	FWD and REV	0 to 30 km/h

- Accelerator pedal for automatic gear variation
- Single pedal for inching and braking



### HYDRAULIC SYSTEM

GEAR TYPE PUMP  
WORKING PRESSURE 220 bar  
FLOW RATE 120 l/min



### CAPACITIES

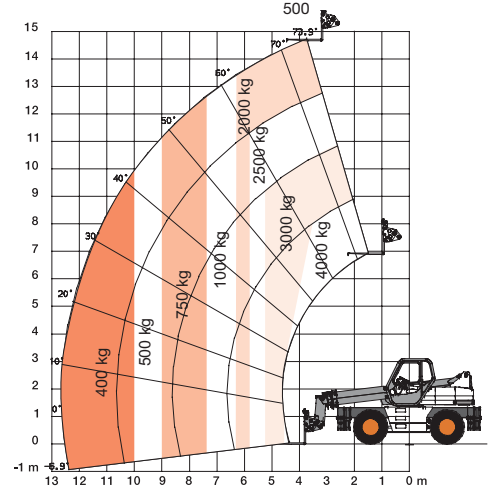
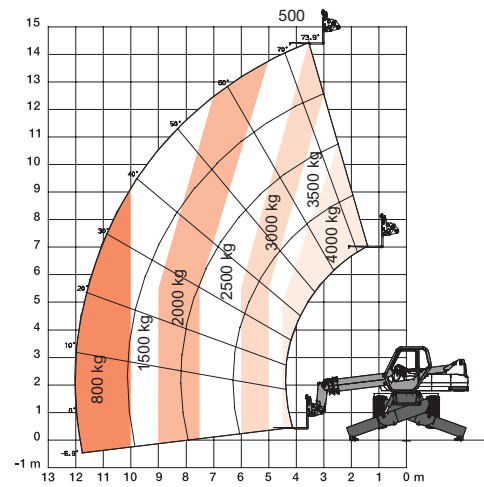
HYDRAULIC SYSTEM	145 l
FUEL TANK	130 l
AXLES AND REDUCTION GEARS	16 l
ENGINE OIL	TURBO 6.5 l



### ATTACHMENTS

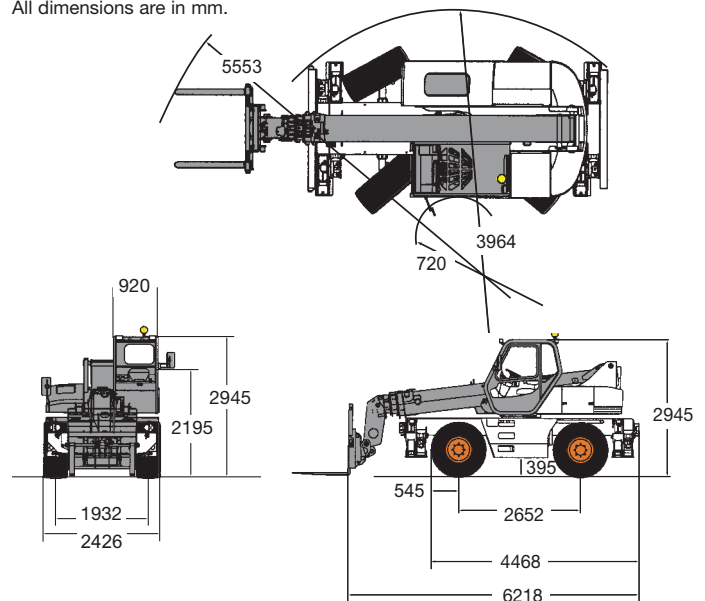
900 digging and reclaim bucket - Extension jib - Crane jib - Man platform with remote control - Winch

### LIFTING CAPACITIES



### DIMENSIONS

All dimensions are in mm.



Specifications and design are subject to change without notice.

Get more info from your dealer.



**BOBCAT EUROPE**

J. Huysmanslaan, 59 - B - 1651 LOT Belgium  
© +32 (0)2 371 68 11 - Fax +32 (0)2 371 69 59