

FULL HYDRAULIC COMPACT EXCAVATOR

TB215R

Machine Weight : 1500kg



TAKEUCHI

TB215R FULL HYDRAULIC

SPECIAL FEATURES

EVOLUTION OF TECHNOLOGY

- Powerful Yanmar Engine (10.9 kW)
- Short tail machine
- Boom cylinder is located behind the boom
- Retractable under carriage
- Accumulator (option)
- One way or two way switching for auxiliary circuit return line (option)

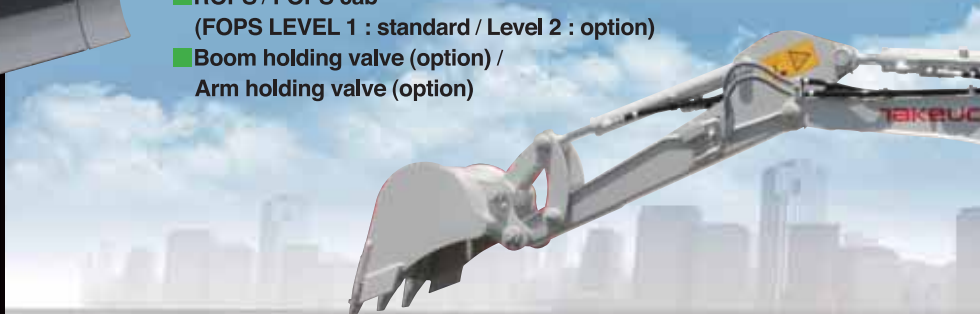
SAFETY

- Audible and visual warning with LCD monitor
- Front and rear mounted lights
- ROPS / FOPS cab
(FOPS LEVEL 1 : standard / Level 2 : option)
- Boom holding valve (option) /
Arm holding valve (option)

SERVICEABILITY

EVOLUTION OF TECHNOLOGY

- Wide Open Engine Cover
- Sight Guages for Fuel and hydraulic Fluid Levels
- Easier Access to Radiator



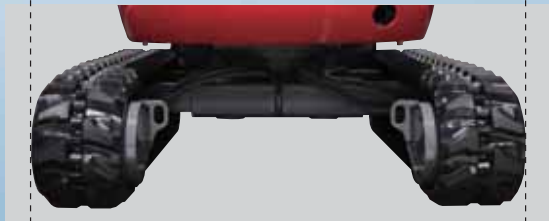
IC COMPACT EXCAVATOR

EASE OF OPERATION



THE TB215R HYDRAULICALLY ADJUSTABLE TRACK FRAME

enables the excavator, when in the retracted position, to squeeze through narrow openings. In the wide position, the excavator gains added stability for heavy excavating, over the side digging, attachment operation and work on uneven terrain. The advantages of two sizes of excavators in single machine.



980mm ⇄ 1300mm

EVOLUTION OF TECHNOLOGY



OPTIONS

EVOLUTION OF TECHNOLOGY

- Service port 2 / Service port 3
- Boom holding valve / Arm holding valve
- Travel alarm ■ Accumulator
- Double air cleaner element
- 2-Way Lever ■ Long Dozer Blade

EVOLUTION OF TECHNOLOGY

- Three auxiliary flows
 - Service port 1 : Standard by pedal control
 - Service port 2 : Proportional control at right hand lever (option)
 - Service port 3 : Trigger at left hand lever and foot switch for quick coupler(option)
- 2-Way Control Lever (Changeable Joystick Configuration) (option)



TAKEUCHI

FULL HYDRAULIC COMPACT EXCAVATOR

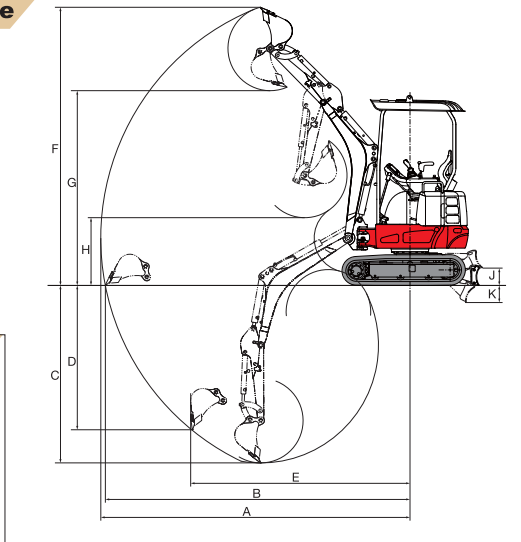
TB215R

Machine Weight : 1500kg



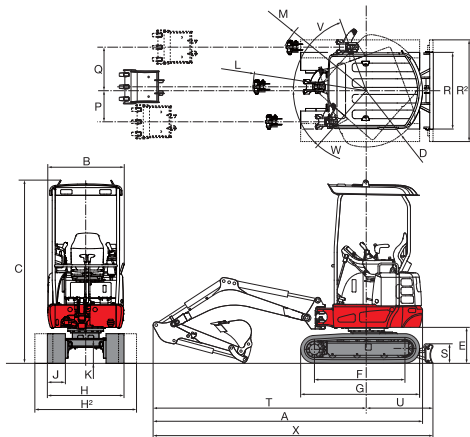
Operating Range

A	3815
B	3760
C	2190
D	1780
E	2705
F	3430
G	2400
H	835
J	215
K	210



Dimensions

A	3445
B	980
C	2345
D	720
E	460
F	1155
G	1520
H	980
H2	1300
J	230
K	205
L	1450
M	1185
P	395
Q	555
R	980
R2	1300
S	250
T	2725
U	855
V	70°
W	50°
X	3585



SPECIFICATIONS

Basic Specifications / Dimensions		Hydraulic Performance			
Machine Mass	kg	1500	Rated Flow Rate P1, P2	L/min	16.8×2
Bucket Capacity	m ³	0.038	Set Pressure P1, P2	MPa	21
Bucket Width	mm	450	Rated Flow Rate P3	L/min	10.8
Engine Manufacturer	—	YANMAR	Set Pressure P3	MPa	20
Engine Model	—	3TNV70	Service Port 1 Flow Rate	L/min	33.6
Rated Output (ISO 9249)	kW	11.0	Service Port 1 Pressure	MPa	21
Rated Speed	min ⁻¹	2400	Service Port 1 Control	—	Foot Pedal
Fuel Tank Capacity	L	22	Service Port 2 Flow Rate	L/min	10.8
Overall Length in Transport Condition	mm	3445	Service Port 2 Pressure	MPa	20
Overall Width in Transport Position	mm	980	Service Port 2 Control	—	Proportional Switch at Right Hand Lever
Overall Height in Transport Condition	mm	2345	Service Port 3 Flow Rate (A/B)	L/min	6.5/10.8
Crawler Length	mm	1520	Service Port 3 Pressure (A/B)	MPa	3.4/20
Undercarriage Width	mm	980/1300	Service Port 3 Control	—	BottomSW+FootSW
Retractable Track Width	mm	980/1300	Slew Speed	min ⁻¹	9.2
Dozer Blade Width × Height	mm	980/1300×250	Travel Speed	km/h	4.2/2.2
Rear-end Swing Radius	mm	720	Maximum Traction Force (Calculated)	kN	19.4
Track Shoe Width	mm	230	Automatic Travel Speed Shifting		○
Ground Clearance of Undercarriage	mm	205	Slew / Travel Parking Brake		○/○
Operating Ranges / Digging force		Equipment			
Maximum Digging Depth		2190	Monitoring Display (Items/Fuel Gauge/Coolant Temperature)	LCD/○/○	
Maximum Reach	mm	3815	Blade Width Extension Without Tools	×	
Boom Swing Angle Left / Right	mm	70/50	12V Power Socket	○	
Dozer Blade Operating Range Upper / Lower	deg	215/210	Tail Lamp	×	
Bucket Digging Force	mm	14	ROPS/TOPS/FOPS/OPG Canopy	○/○/○/×	
Arm Digging Force	kN	9.5	Tie Down	○	
Arm Length	kN	930	Vibration levels (EN 12096:1997)		
Boom Cylinder Layout	mm	rear	Hand/Arm	≤ 2.5m/s ²	
			Body	≤ 0.5m/s ²	

TAKEUCHI

WORLD CREATOR OF COMPACT EXCAVATOR
TAKEUCHI MFG.CO.,LTD.

205, Uwadaira,Sakaki-machi, Hanisina-gun.

Nagano 389-0605,Japan

Phone (81)268-81-1112

Telefax(81)268-81-1121

URL <http://www.takeuchi-mfg.co.jp>

E-mail:marketing@takeuchi-mfg.com

Semco™

Equipment Sales

1800 685 525

www.semco-group.com.au