

# Pedestrian stacker truck 1.0 ton



**BT staxio**

*W-series*

**SWE100**



# Pedestrian stacker

Specification for stacker trucks					SWE100	
Identification	1.1	Manufacturer			BT	
	1.2	Model			SWE100	
	1.3	Drive			Electric	
	1.4	Operator type			Pedestrian	
	1.5	Load capacity/rated load	Q	kg	1000	
	1.6	Load centre	c	mm	600	
	1.8	Load distance, centre of support arm wheel to face of forks	x	mm	657	
	1.9	Wheelbase	y	mm	1190	
	Weight	2.1	Service weight including battery		kg	808
2.2		Axle load, with load, drive/castor/support arm wheel		kg	350/280/1185	
2.3		Axle load, without load, drive/castor/support arm wheel		kg	350/230/235	
Wheels	3.1	Drive/castor/fork wheel			Friction/Vulkollan/Vulkollan *)	
	3.2	Wheel size, front		mm	Ø230x70	
	3.3	Wheel size, rear		mm	Ø85x95	
	3.4	Additional wheels (dimensions)		mm	Ø125x50	
	3.5	Wheels, number front/rear (x=driven wheels)			1x+2/2	
	3.6	Track width, front	b <sub>10</sub>	mm	550	
	3.7	Track width, rear	b <sub>11</sub>	mm	390	
Dimensions	4.2	Height, mast lowered	h <sub>1</sub>	mm	2151 *)	
	4.3	Free lift	h <sub>2</sub>	mm	166 *)	
	4.4	Lift	h <sub>3</sub>	mm	3210 *)	
		Lift height	h <sub>23</sub>	mm	3300 *)	
	4.5	Height, mast extended	h <sub>4</sub>	mm	3720 *)	
	4.8	Stand height (optional platform)	h <sub>7</sub>	mm	150	
	4.9	Height of tiller in drive position, min./max.	h <sub>14</sub>	mm	865/1235	
	4.15	Height, fork lowered	h <sub>13</sub>	mm	90	
	4.19	Overall length	l <sub>1</sub>	mm	1831	
	4.20	Length to face of forks	l <sub>2</sub>	mm	683	
	4.21	Overall width	b <sub>1</sub>	mm	770	
	4.22	Fork dimensions	s/e/l	mm	60/180/1150 *)	
	4.24	Fork-carriage width	b <sub>3</sub>	mm	674	
	4.25	Width over forks	b <sub>5</sub>	mm	570 *)	
	Performance data	5.1	Travel speed, with/without load		km/h	6/6
5.2		Lift speed, with/without load		m/s	0.14/0.28	
5.3		Lowering speed, with/without load		m/s	0.38/0.38	
5.8		Max. gradeability, with/without load <sup>2)</sup>		%	8/12 <sup>1)</sup>	
5.10		Service brake			Electromagnetic	
Electric motor		6.1	Drive motor rating S2 60 min		kW	1.0
		6.2	Lift motor rating at S3 15%		kW	2.2 <sup>2)</sup>
		6.4	Battery voltage/nominal capacity K <sub>s</sub>		V/Ah	24/150 *)
		6.5	Battery weight		kg	163 *)
		Others	8.1	Type of drive control		

<sup>1)</sup> Measured according to company standard

<sup>2)</sup> S3 6%

\*) Further alternatives are available and will produce other values.

Data is based on standard configurations: Small battery compartment, h<sub>23</sub> = 3300 mm Duplex Tele mast.

Truck performance and dimensions are nominal and subject to tolerances. BT Products AB products and specifications are subject to change without notice.

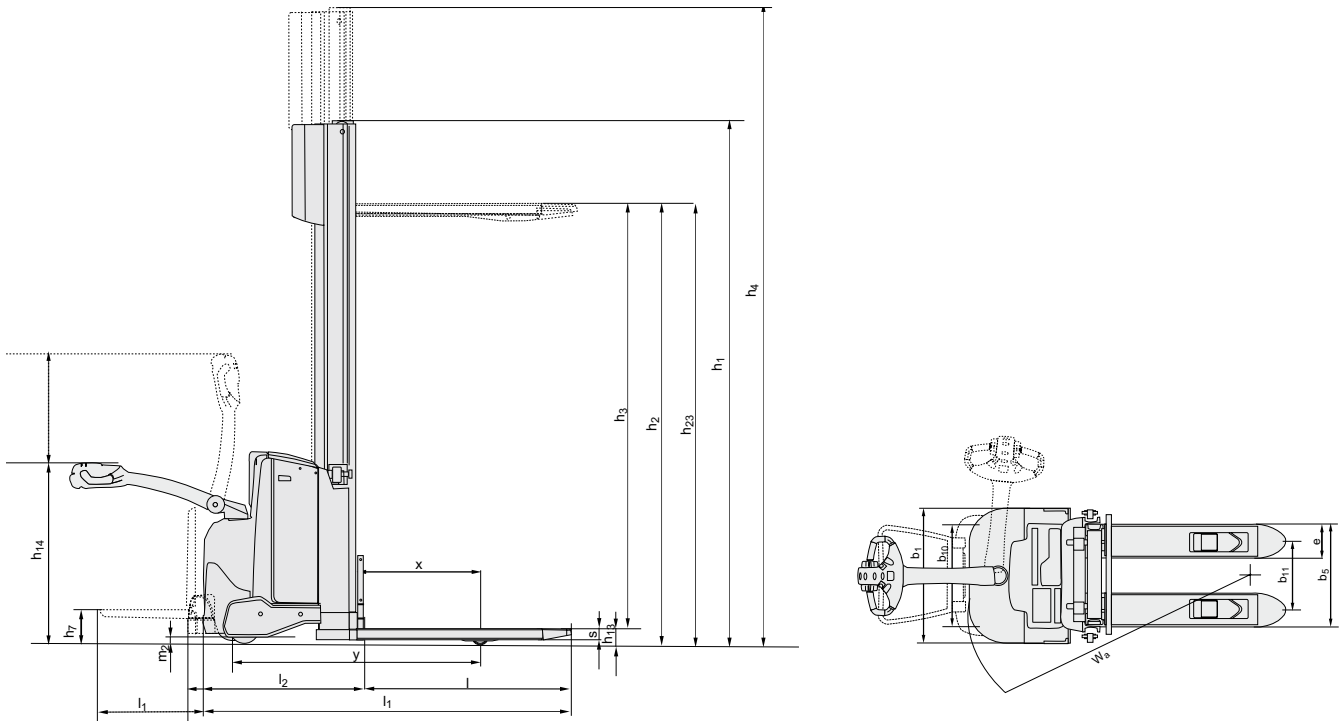
# Battery dependent dimensions

# BT staxio

Dimensions		Battery Compartment		SWE100		
				Small	Medium	Large
1.9	Wheelbase	y	mm	1190	1247	1297
4.19	Overall length	l <sub>1</sub>	mm	1831	1888	1938
	without platform		mm	1916/2306	1973/2363	2023/2413
4.20	Length to face of forks	l <sub>2</sub>	mm	683	740	790
	without platform		mm	768/1158	825/1215	875/1265
4.33	Aisle width for pallets 1000x1200 crossways	A <sub>st</sub>	mm	2231	2288	2338
	without platform		mm	2316/2716	2373/2773	2423/2823
4.34	Aisle width for pallets 800x1200 lengthways	A <sub>st</sub>	mm	2214	2271	2321
	without platform		mm	2299/2699	2356/2756	2406/2806
4.35	Turning radius	W <sub>a</sub>	mm	1340	1397	1447
	without platform		mm	1425/1825	1482/1882	1532/1932
6.4	Battery voltage, nominal capacity K <sub>5</sub>		V/Ah	24/150	24/225	24/300
6.5	Battery weight, min.—max.		kg	120—165	189—250	230—280

# Mast dimensions

SWE100			Simplex		Duplex Tele			Duplex Tele Panoramic View		
h <sub>23</sub>	Lift height (h <sub>13</sub> +h <sub>3</sub> )	mm	1400	1700	2700	2900	3300	2700	2900	3300
h <sub>3</sub>	Lift	mm	1310	1610	2610	2810	3210	2610	2810	3210
h <sub>1</sub>	Height, mast lowered	mm	1825	2125	1851	1951	2151	1835	1935	2135
h <sub>2</sub>	Free lift, ground to top of forks	mm	1400	1700	166	166	166	166	166	166
h <sub>4</sub>	Height, mast extended	mm	1825	2125	3125	3325	3725	3120	3320	3720



---

## Truck features:

- BT Powerdrive System
- Fingertip controls
- Electronic braking system
- Electronic speed control
- Operator safety
- Storage compartments
- Automatic switch-off
- Click-2-creep
- Programmable performance
- Easy access for maintenance
- Built in charger (option)
- Flip-up operator platform (option)
- Toyota I\_site: truck fleet management system (option)
- Hydraulic oil for low temperatures (option)

