



SCA900TB
TELESCOPIC BOOM CRAWLER CRANE
90 UST (81.6 mt) LIFTING CAPACITY

MADE FOR AMERICA

Technical Parameters

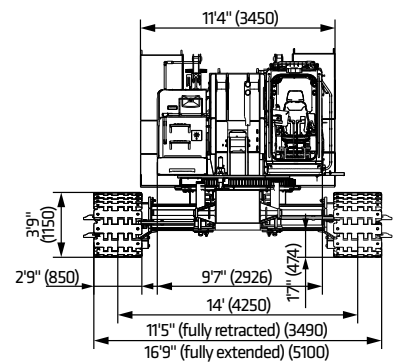
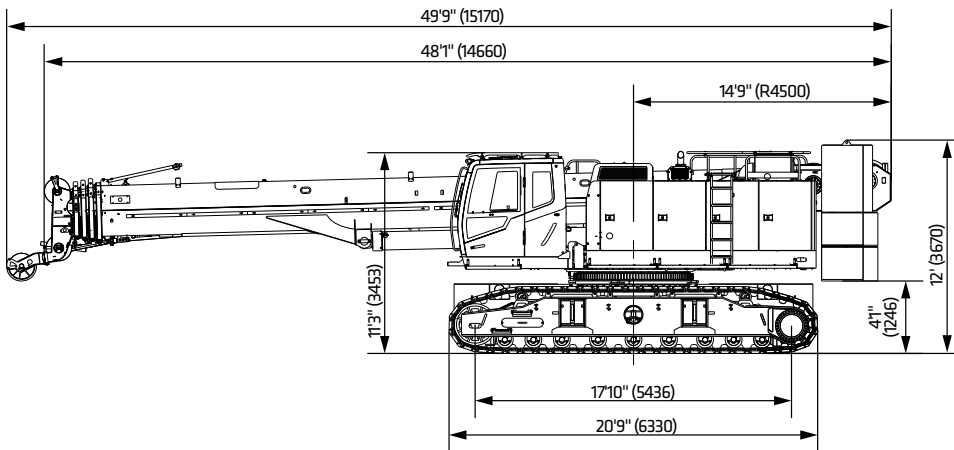
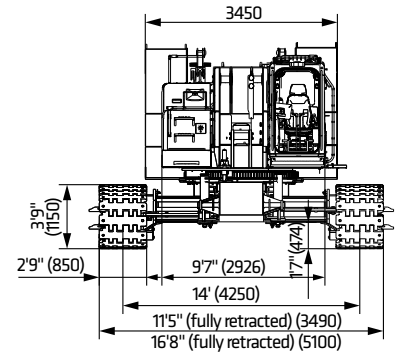
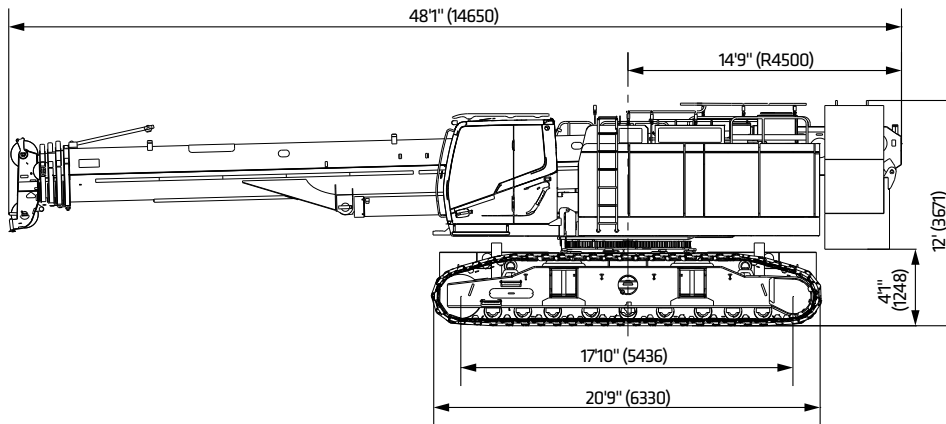
- Page 09 Major Performance & Specifications
- Page 10 Outline Dimension
- Page 11 Transportat Dimension



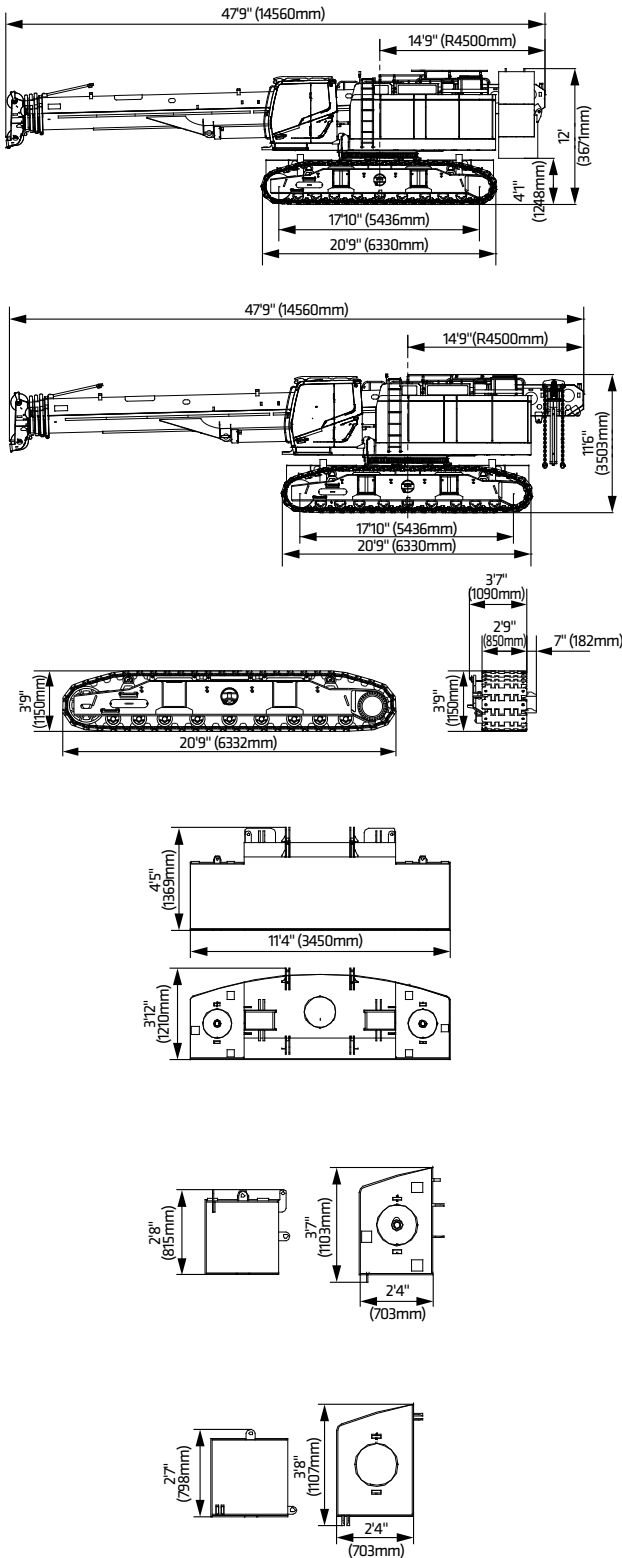
Major Performance & Specifications

Major Performance & Specifications of SCA900TB			
Performance indicators		Unit	Parameter
Boom configuration	Maximum rated lifting capacity	UST (t)	90 (81.6)
	Boom length	ft (m)	40~154.2 (12.2~47)
	Boom angle	°	-1.5~80
	Max. rated load moment	Klb-ft (t·m)	2170Klb-ft (300)
Jib configuration	Longest boom + longest jib	ft (m)	154.2+57.4 (47+17.5)
	Boom to jib angle	°	0, 15, 30
Operation speed	Rope speed of main/aux. load hoist	ft/min (m/min)	0-459.4 (0~140)
	Boom full up/down duration	s	80/105
	Boom full extension/retraction duration	s	100/125
	Swing speed	rpm	0~2
	Travel without load	mph	0~1.6
Engine	Output power		325
	Rated speed	HP	1800
Wire rope	Diameter	in (mm)	0.87 (22)
Transport parameter	Machine weight with jib, counterweights, and crawlers	Klb (t)	193.3 (87.7)
	Transport weight of basic machine	Klb (t)	112.1 (55.4)
	Transport dimensions of basic crane (dismantling crawler frame) length×width×height	ft (mm)	47.8x11.5x11.5 (14560x3490x3500)
Other parameters	Average ground bearing pressure (base boom)	PSI	13
	Min. swing radius	ft (mm)	14.8 (4500)
Gradeability		%	30

Outline Dimension



Transport Dimension



Whole Machine ×1

Length (L)	47.8ft (14.56m)
Width (W)	11.5ft (3.49m)
Height (H)	12ft (3.67m)
Weight	193.3Klb (87.7mt)

Basic Machine (with jib) ×1

Length (L)	47.8ft (14.56m)
Width (W)	11.5ft (3.49m)
Height (H)	11.5ft (3.50m)
Weight	112.1Klb (55.4mt)

Crawler Assembly ×2

Length (L)	20.8ft (6.33m)
Width (W)	3.6ft (1.09m)
Height (H)	3.8ft (1.15m)
Weight	20.6Klb (9.35mt)

Counterweight Tray ×1

Length (L)	11.3ft (3.45m)
Width (W)	3.97ft (1.21m)
Height (H)	4.49ft (1.37m)
Weight	36.4Klb (16.5mt)

Rear Counterweight I ×2

Length (L)	2.3ft (0.70m)
Width (W)	3.6ft (1.10m)
Height (H)	2.7ft (0.82m)
Weight	5.3Klb (2.4mt)

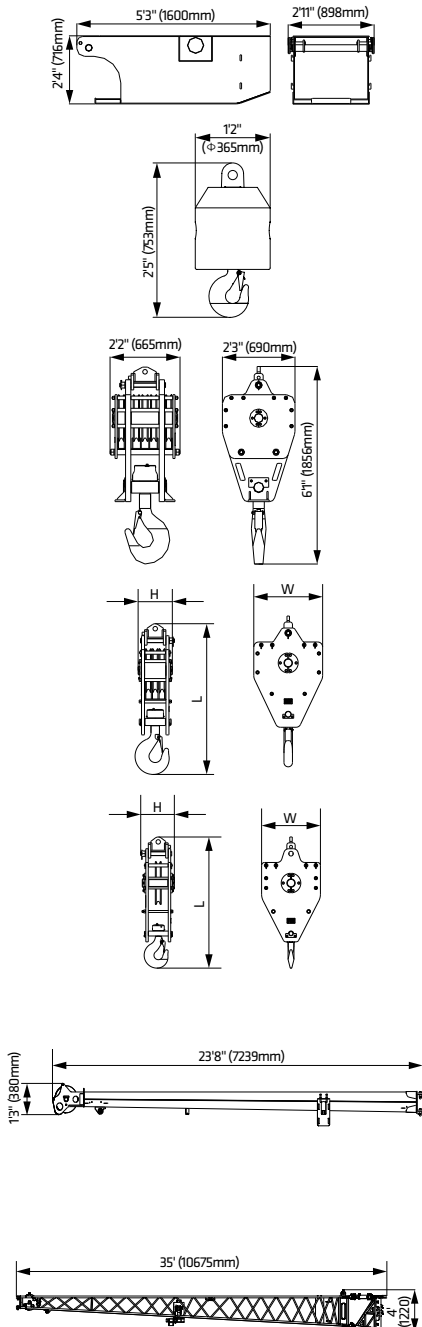
Rear Counterweight II ×2

Length (L)	2.3ft (0.70m)
Width (W)	3.64ft (1.11m)
Height (H)	2.62ft (0.80m)
Weight	5.3Klb (2.4mt)

Transport Dimension

Remarks:

1. The transport dimensions of each part in the table are schematic, not proportional to the real parts. The dimensions are designed value without packing.
2. The Weight is designed value that the actual manufactured part may deviate a little. The total weight of counterweight is 57.3Klb (26mt).
3. The above dimensions and weight is subject to change due to product upgrading.



Carbody Counterweight ×2

Length (L)	6.6ft (1.60m)
Width (W)	3.0ft (0.90m)
Height (H)	2.4ft (0.72m)
Weight	6.6Klb (3.0mt)

10 UST (9mt) Hook Block ×1

Length (L)	2.5ft (0.75m)
Width (W)	1.2ft (0.37m)
Height (H)	1.2ft (0.37m)
Weight	0.41Klb (0.19mt)

90 UST (80mt) Hook Ball ×1

Length (L)	6.1ft (1.86m)
Width (W)	2.3ft (0.69m)
Height (H)	2.2ft (0.66m)
Weight	2.2Klb (1.0mt)

50 UST (45mt) hook (optional) ×1

Length (L)	5.0ft (1.52m)
Width (W)	2.3ft (0.69m)
Height (H)	1.2ft (0.37m)
Weight	1.1Klb (0.48mt)

16 UST (15mt) hook (optional) ×1

Length (L)	4.4ft (1.34m)
Width (W)	1.9ft (0.60m)
Height (H)	1.1ft (0.34m)
Weight	0.61Klb (0.28mt)

23.0ft (7m) Swing-away jib ×1

Length (L)	23.8ft (7.24m)
Width (W)	1.2ft (0.38m)
Height (H)	1.7ft (0.51m)
Weight	0.57Klb (0.26mt)

32.8ft (10m) Jib Section ×1

Length (L)	35.0ft (10.68m)
Width (W)	2.5ft (0.76m)
Height (H)	4.0ft (1.22m)
Weight	1.5Klb (0.69mt)