

cmc
XTRM

S19HD




www.cmclift.com

Σ DETAILS



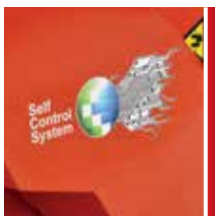
**GOES THROUGH
A STANDARD DOOR**



**SELF-LOADING,
TRANSPORTABLE
WITH TRAILER
EU DRIVING LICENCE B/E**



**THREE STABILIZATION
AREAS**



**S.C.S.
(SELF CONTROL SYSTEM)**



RADIO CONTROL



**FAULT DETECTOR
DISPLAY**



**AUTOMATIC
STABILIZATION**



Articulated platform with pantograph and telescopic boom. Thanks to the articulated stabilizers it offers unparalleled performance. Designed to ensure maximum work performance on the most difficult terrain.

Standard equipment

The S19HD is supplied with a Honda GX390 petrol engine, SCS system (automatic stabilization, automatic speed control and automatic closing of the aerial part), radio control and fixed tracks. The three different stabilization areas, the ability to perform several maneuvers at the same time, the simple and intuitive controls, the self-loading function and the speed of movement even on the roughest terrains make it an unattainable platform. Double speed tracks with variable flow motor.

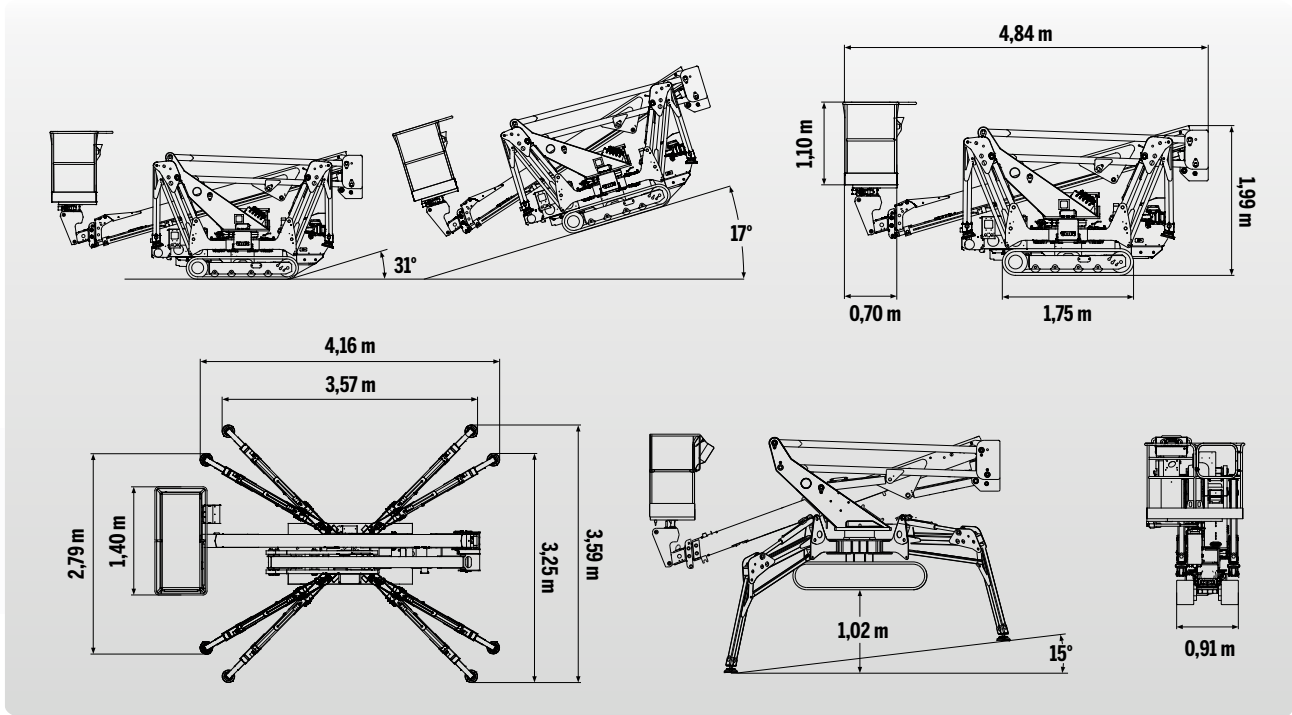
Available accessories:

- +90°/-87° basket rotation
- Kubota Z602 diesel engine
- Extendable tracks
- Lithium battery (100Ah)
- 220V, 120V or 110V electric motor
- No-marking tracks
- 1 or 2-men fiberglass basket
- Water/air hose on the basket
- 220V, 120V or 110V electric socket on the basket
- Remote connection kit
- Fixed control station in the basket with display
- Customized colors

The specifications and characteristics indicated are subject to change and are not binding.



TECHNICAL DATA

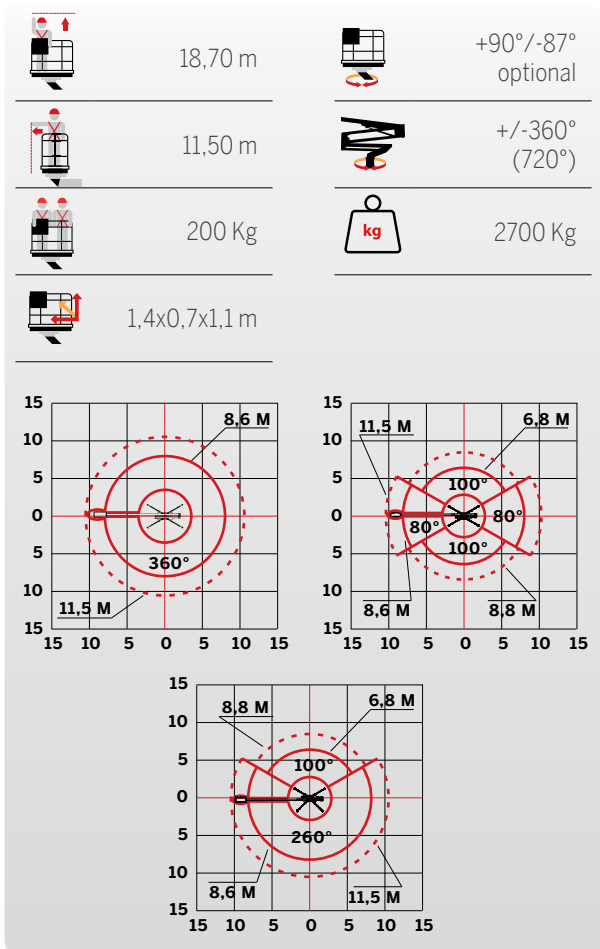
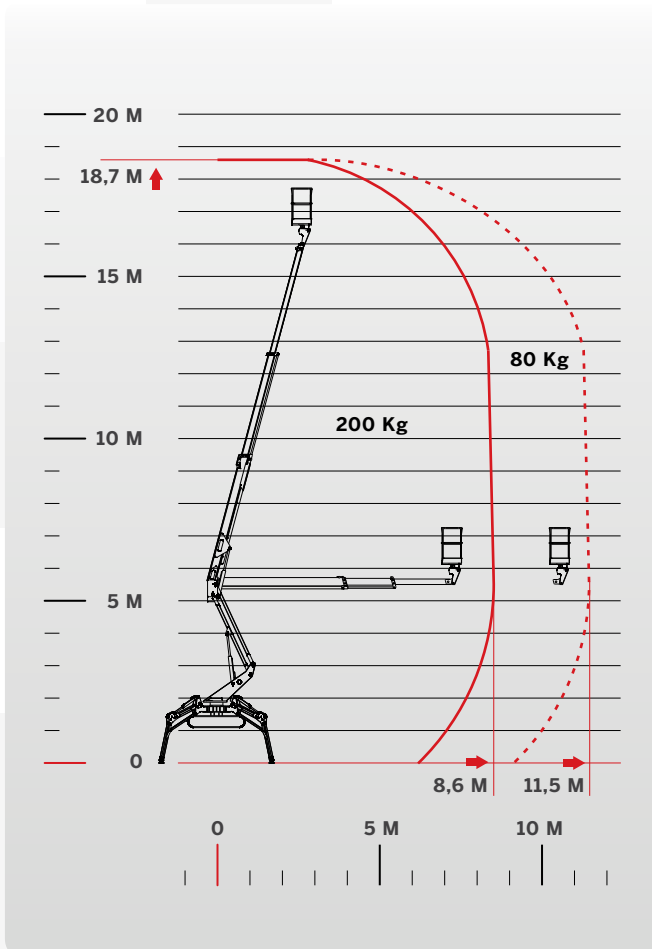


MAXIMUM LOAD

200 KG + + 40 KG 80 KG



PERFORMANCE





**An unparalleled crawler.
The ideal platform for work on
the hardest terrains.**

Compact design, with 11.50 meters of outreach and articulated stabilizers with high leveling capabilities. This crawler aerial platform is a great alternative to the truck mounted platform. Thanks to its size and reduced weight it passes through a standard door and can be transported on a trailer.

