

ROADTEC HIGHWAY CLASS ASPHALT PAVERS





ASTEC

**ROADTEC
RP-175e**

BUILT TO CONNECT

Astec Industries' Roadtec highway class asphalt pavers provide industry-leading asphalt paving solutions for highways, interstates, and more.

The Roadtec brand has been an integral member of the Astec Industries family since 1981. By aligning all Astec brands, we harness the power of a comprehensive dealer network, expansive parts distribution, and robust service.

Based in Chattanooga, Tennessee, Astec was founded in 1972 with the vision to supply creative thinking and state-of-the-art technologies to Rock to Road industries.

Today Astec manufactures more than 100 products in 25 facilities worldwide. Astec products include:

- Rock crushing plants.
- Screening plants.
- Hot mix asphalt facilities.
- Concrete plants.
- Asphalt pavers.
- Recycling.
- Forestry solutions.

Astec is committed to placing the customer first. We focus on customer-driven innovation in everything we do. This approach informs how we design, build, and service our products.

As part of Astec Industries we are Built to Connect today, tomorrow, and in the future. This means that our products, services, and solutions connect communities. We design and develop innovative and sustainable industry-leading highway class asphalt pavers through collaboration, modernization, and teamwork. We are Built to Connect.

RP ASPHALT PAVERS

Your work is specialized, and you need a paver that fits your needs. Astec's RP highway class asphalt pavers give you the freedom and options to choose the highway class paver that is right for you.

Astec asphalt pavers are dependable and productive machines that work efficiently in multiple applications and job sizes. Wheeled or tracked, 8 ft or 10 ft, our pavers have the power and functionality your job requires. With a range of horsepower from 175 to 250, you are certain to find the paver that is up to your job.

- Our compact 8 ft (2.5m) wide rubber-tire and rubber-track asphalt pavers are designed for greater maneuverability without sacrificed performance.
- Our 10 ft (3.0 m) wide rubber-tire and rubber-track asphalt pavers are designed for highway work, interstates, and large applications.

Both the 8 ft and 10 ft pavers work efficiently in all types of sub-grades and paving applications. All Astec pavers are reliable, rugged, dependable, and designed with efficiency, productively, and safety in mind.





RP-170 | 8 ft Rubber Tire



RP-175 | 8 ft Rubber Track



RP-190 | 10 ft Rubber Tire



RP-195 | 10 ft Rubber Track



RP-250 | 10 ft Heavy-Duty Rubber Tire





ROADTEC
RP-190

ASTECC

SB-2500

STRONG AND EFFICIENT



Solid Construction

All RP pavers begin with a solid, one-piece durable steel frame that is completely fabricated, welded, and assembled by Astec. A 2-inch thick (5 cm) front bumper plate connects two continuous side sheets running the entire length of the frame. This American-made custom craftsmanship yields a machine that is strong and durable.

Durable Hydraulics

The RP line of pavers use heavy-duty hydraulic pumps for propelling the paver and material feed. These long-lasting pumps allow the entire hydraulic circuit to run extremely cool, greatly prolonging the longevity and productivity of all machine components.

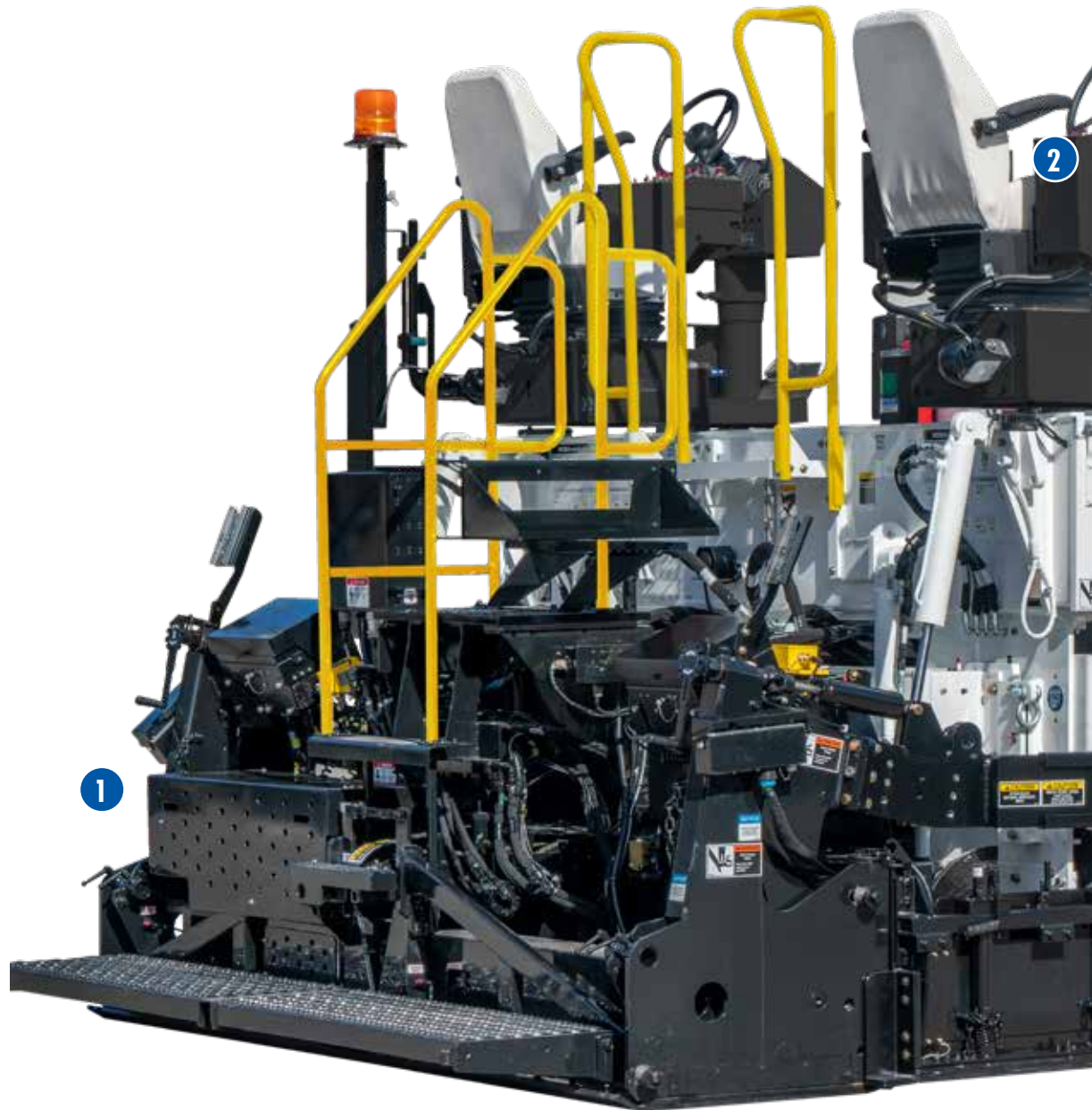
Efficient Cooling

Each Astec highway class paver has a cooling package mounted on the side of the paver, where the cleanest and coolest air is. The radiators are rated for higher horsepower engines. The variable speed hydraulic fan runs at the optimal speed for the load, reducing noise levels.

Powerful Engine

Astec highway class asphalt pavers are powered by high performance Cummins® engines, which deliver high power coupled with low fuel consumption to keep you paving all day long.

KEY FEATURES



1 Industry Leading Screeds

Each paver has the option of three screed versions, with a variety of extension options. Screeds are heated electrically and thermostat controlled.

2 Comfort Drive™ Dual Operator Stations

Ergonomic control boxes allow operators to work efficiently without sacrificing comfort.

3 Operator Line of Sight

Operator seats hydraulically swing out past the side of the machine for a 360 degree view, including increased visibility down the side of the paver, improving jobsite safety.

4 Solid Construction

The frame is constructed of two thick, continuous sheets of metal, joined by a crossmember.



5 FXS™ Fume Extraction

Two fans draw fumes away from the crew. Fumes and exhaust are directed through vents at the front of the engine hood, keeping the platform fume-free and cool.

6 Solid Front Axle

One-piece axle adds to the paver's frame strength and stability.

7 Material Flow Control

Electric flow gates allow material to be distributed properly without burying the auger and flooding the middle, yielding a superior quality mat.



1 Clear View of the Front Hopper

The operator has a clear, unobstructed view into the front hopper, maximizing productivity and safety.

2 Direct Auger Visibility

The operator station provides direct visibility to the head of material.

OPERATOR COMFORT

With reduced noise levels and improved visibility, Astec highway class pavers allow the operator to stay in constant visual and audible communication while working in a comfortable and safe environment.

- All control functions are easily accessible, including feed system and flow gate controls.
- Emergency shut-off switches are found at ground level on both screed boxes and at the main operator stations, for the safety of the entire crew.



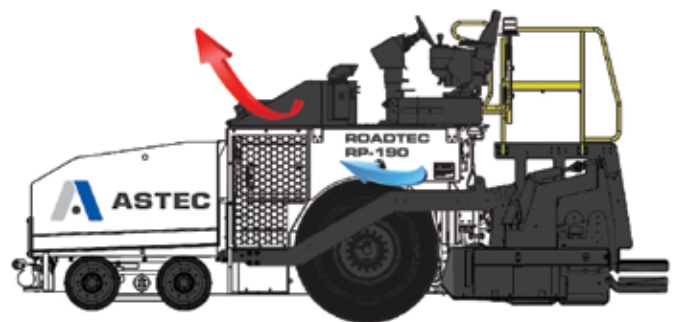
Swing Out Operator Stations

Adjustable operator seats include suspension for ultimate comfort and safety. Hydraulic swing out operator stations include seats that move beyond the sides of the machine to give the operator a clear view down the sides of the paver.



Comfort Drive™

Controls move with the seat and include an armrest Comfort Drive fingertip function control, providing a comfortable and ergonomic operator experience.



FXS™ Fume Extraction

Roadtec's FXS Fume Extraction uses two fans to draw any fumes emitted by the asphalt mix away from the crew. This large amount of air moving over the hopper keeps the platform fume-free and cool.

PERFORMANCE

Solid Construction

- Fabrication of all Astec pavers begins with an extremely strong and rugged frame.
- A solid, American-made frame provides reliable durability.
- The solid construction and sturdy design enable Astec pavers to withstand the rigorous demands of asphalt paving.





One-Piece Axles

One-piece axles for the front bogies go through the frame; there are no weld-on stub shafts. The one-piece axles provide long-lasting strength and stability, improving wear life and reducing total cost of ownership.



Sturdy Conveyors

Hinged, dual apron plates on the conveyors permit easy and convenient clean out at the end of the day. Head and tail plates are made of chromium carbide-clad plate, to stand up to the abrasiveness of aggregates.



Solid Push Roller

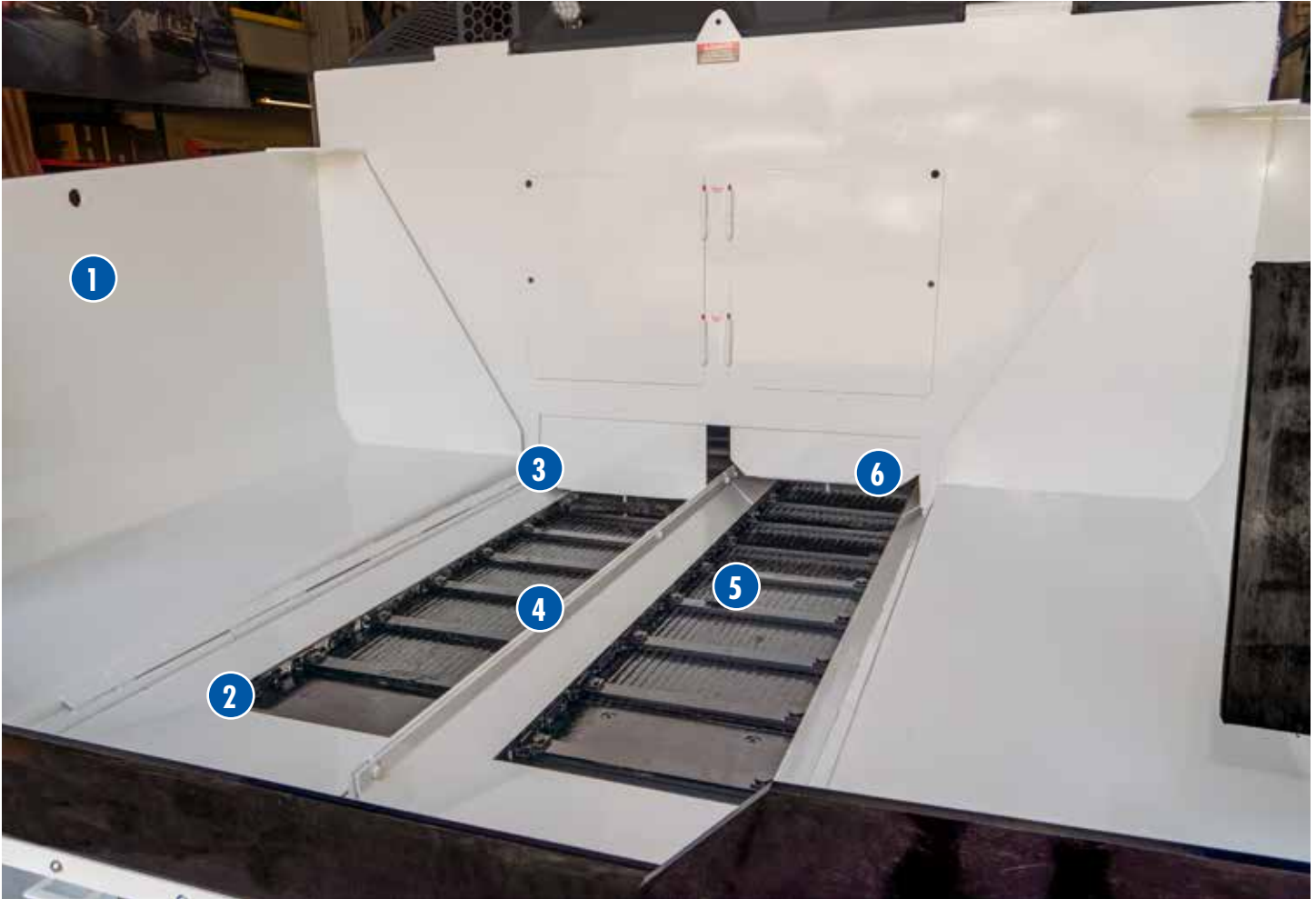
A solid steel push bar and roller assembly engages with the load vehicles to maintain control and precision while laying the mat.



Durable Chains

All Astec pavers use the industry's strongest conveyor chains for extended durability and reliable performance.

MATERIAL FLOW



1 Purposeful Hopper Shape

The corners of the hopper are engineered to reduce material adhesion and cold spots.

2 Shortest Front Apron in the Industry

The short apron length prevents build-up of cold material and reduces segregation.

3 Electric Flow Gates

Astec pavers have electric flow gates that are simple to operate and give precise control over the head of material. These flow gates allow material to be distributed properly without burying the auger and flooding the middle. Flow gate positions are displayed on every control box screen.

4 Chain "Tipi" Shape

The chain tipi is engineered to create a separation between the left and right conveyors, allowing more precise feeding of material to the augers, reducing segregation.

5 Independently Driven Conveyors & Augers

Each conveyor is independently driven so material delivery can be fine-tuned for each side. Each conveyor is outfitted with its own feeder, facilitating increased material control. Each rear auger and conveyor are driven by its own hydraulic motor. Conveyors can be wider and closer together, and each side can run independently. Mix is conveyed out as one uniform flow, which greatly reduces segregation.

6 14-Inch-High Conveyor Opening

Each conveyor has a 14-inch-high opening to maximize throughput while maintaining consistency and control.



Heavy-Duty Delta Plate

- The delta plate defines the front wall of the material tunnel, preventing mix from rolling forward under the paver, a main cause of centerline segregation and removes mix from the conveyors, providing better conveyor efficiency.



Position of Augers

- The auger drive box is kept as narrow as possible to prevent centerline segregation.
- Outboard auger supports are well protected with ni-hard covers and temperature resistant bushings.
- The augers are kept very close to the discharge of the conveyors so that material is always kept live and moving, not simply dumped on the ground.



Hydraulically Controlled Auger Assembly

Augers closest to the ground raise and tilt to control the head of material with the push of a button. The auger assembly can be hydraulically raised, lowered, and tilted. This feature can help eliminate segregation in certain mixes and is beneficial during the load and unload process, as well as when constructing "supers".

RESPONSIVE POWER



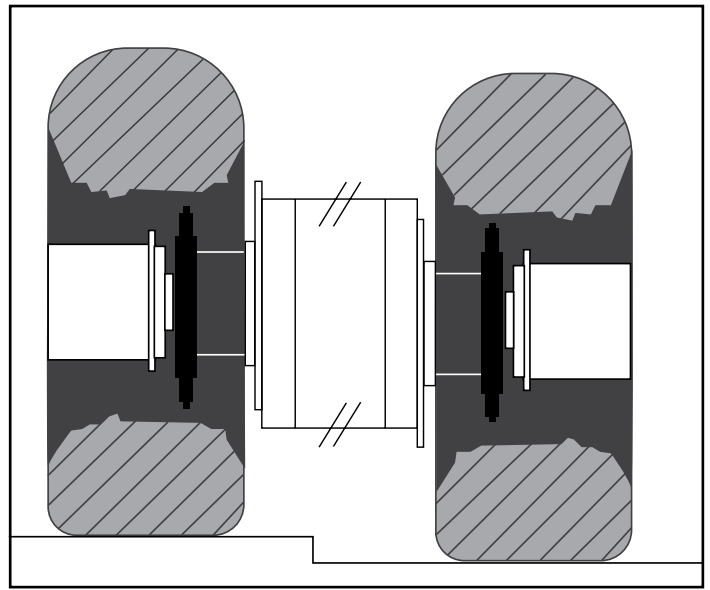
Rugged Tracks

Track systems give a smooth ride with excellent flotation and traction. Smooth-tread rubber tracks are 14 inch wide for 8-ft pavers and 18 inches wide for 10-ft pavers providing one of the longest footprints available. An automatic hydraulic tensioning system keeps constant even tension on the tracks, and oscillating bogies provide even pressure along the track and give a smooth ride.



Rubber Tires

Rubber tire pavers have great maneuverability, ride quality, and traction. Two large rear drive tires are steered by two tandem bogie assemblies, and the two offset bogie assemblies increase the ground pressure gradually. Hydraulic braking and a parking brake are standard on all Astec RP pavers.



Superior Traction

Astec's RP-250 is a unique paver, in that it is a wheeled paver that has the traction and flotation of a tracked paver. It is made for rugged work.

If you are working in steep terrain or weak base, the RP-250's diamond tread tires enable increased surface contact, traction, and flotation. The adjustable suspension provides ideal weight distribution and allows the RP-250 to easily tackle heavy loads at the screed.

Frame Raising Mechanism

The innovative adjustable suspension on the RP-250 provides for uniform wheel loading, even in a soft or irregular base. The operator can control and modify the frame position as needed to increase the tractive effort to the rear wheels, which provides more stability.

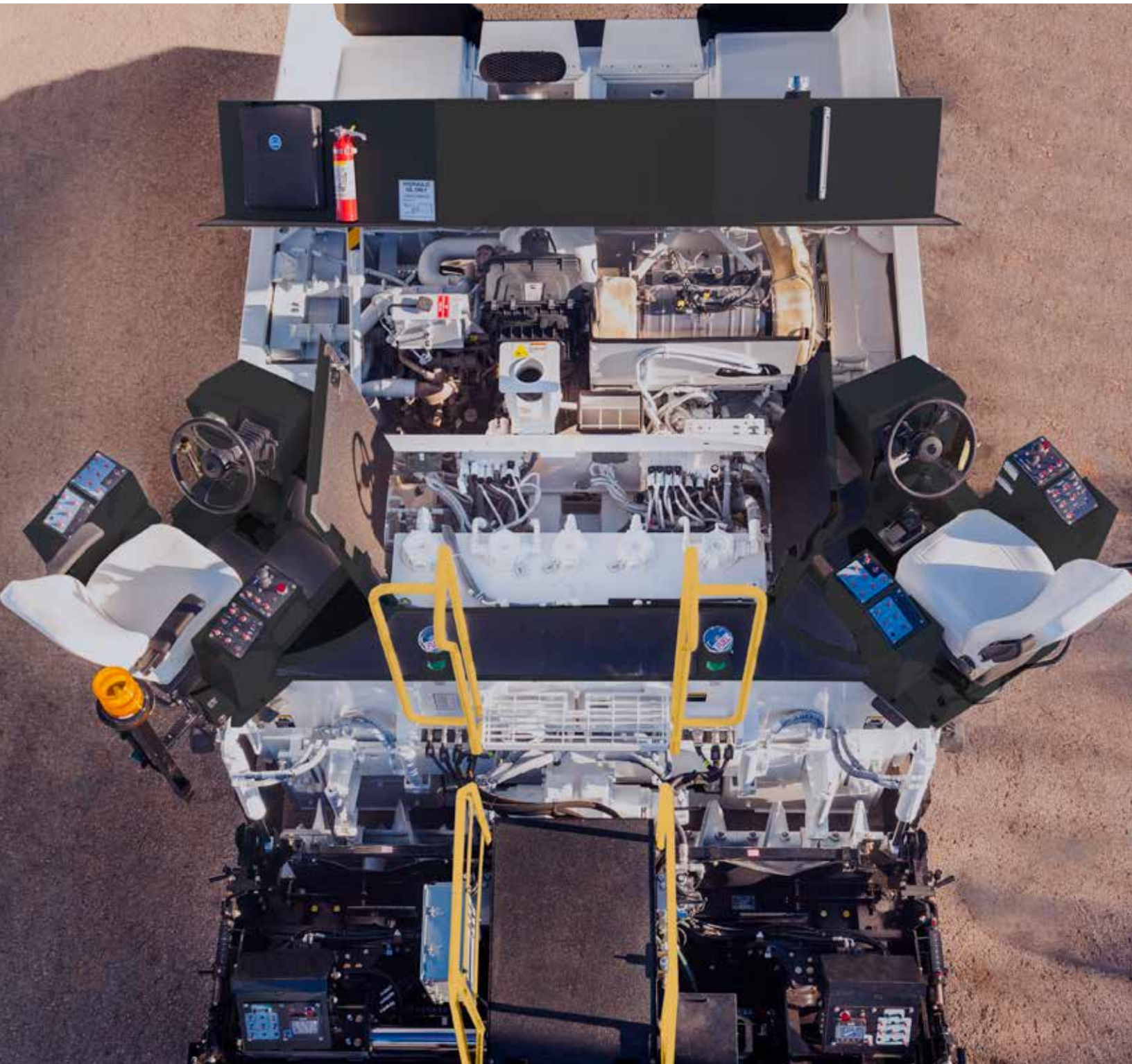
Augmented Steering

The RP-250's augmented steering gives operators precise control, especially in turning. The turn radius is tight which provides increased control. Steering is driven by the rear wheels, and oil is distributed as needed, rather than evenly. The RP-250 can redirect flow to the drive wheels for power assisted turning.

MAXIMIZE YOUR UPTIME

Preventative maintenance is vital, and with Astec's pavers it doesn't have to be costly or time consuming. All maintenance and inspection areas are easily reached through access doors on the sides and top of the paver. You can safely perform daily maintenance checks quickly and systematically.

- Hydraulically-raisable engine hoods allow easy access to the engine compartment.
- Roomy engine compartment makes reaching components convenient.
- Hydraulic oil tank is located under hinged doors on the operator platform.





Retractable Wash Down Hose

A retractable hose is standard and can be paired with a diesel or environmental tank.



Hydraulic Pressure Sensors

Sensors continuously monitor hydraulic pressure. The pressures are clearly displayed on the operator's display.



Easy Maintenance

Maintenance and inspection areas are easily reached through large access doors on the side and top of the pavers.



Clear Electrical Access

Electrical box is easily accessed from the ground. Circuit breakers allow for corrections without the use of tools.

SCREEDS AND OPTIONS

Better Screeds Build Better Roads

Astec screeds are rugged and functional, yet simple to operate and maintain. Paving professionals are able to customize their paver with the screed that fits their specific application. Each Astec paver has the option of six screed versions, with a variety of extension options.

All screed models are American made, heated electrically, and thermostat controlled for simple use.

- Six models in 8 ft (2.5 m) and 10 ft (3.0 m) versions are available.
- Variety of extension options to choose to suit the job and application.
- Screeds can be operated with single or dual grade control mode, grade and slope control, or manually.

Equipment Options

Additional Lighting	20.5 ft (6,248 mm) Auger & 20.75 ft (6,325 mm) Tunnel Extension Package
Night light package – (6) 24v	Extends augers to 20.5 ft (6,248 mm) and tunnels to 20.75 ft (6,325 mm). Additional 12 in (305 mm) auger and tunnel extension segments can be added to each side for total of 22.5 ft (6,858 mm) of augers and 22.75 ft (6,934 mm) of tunnels.
Laser pointer alignment guide – high intensity laser mounted to tractor can be positioned along line of travel to aid operator in aligning paver correctly.	Reversing Distribution Augers
SaberLight™ – (2) 92W, LED light panels	Retrieve material when bringing in extensions
Truck dump signal light – LED signal light to indicate to truck driver whether to dump, stop, or lower.	Hopper Insert
Additional amber beacon	For use with Shuttle Buggy® MTV
Front Wheel Assist	Lubrication
Additional hydraulic motors on both rear bogies. Also available as retrofit.	Automated lubrication system
Tunnel Extensions	Additional Sun Shade
12 in (305 mm) tunnel extensions	Includes mounting hardware
18 in (457 mm) hydraulic tunnel extensions	Electrical Outlets
Auger Extensions	4 electrical (120v) outlets located on tractor
12 in (305 mm), 0.75 in (19 mm) thick ni-hard auger extensions. Right hand or left hand.	HD Conveyor Chain Package
6 ft (1,829mm) Auger & Tunnel Extension Package	Includes offset link conveyor chains in lieu of standard straight links
36 in (914 mm) auger and tunnel extensions for each side. Comes with all necessary hardware including outboard auger bearing supports and tunnel extension braces.	



Additional Lighting

High intensity lighting options provide increased visibility and safety. Laser pointer alignment guide aids operator in aligning paver correctly, even in daylight. Truck dump signal lights indicate whether to dump, stop, or lower. Amber beacons and SaberLight add additional illumination and facilitate clear communication.



Automatic Lubrication

An automatic lubrication system harnesses technology to maximize efficiency and reduce waste, providing the appropriate amount of lubricant when and where it is needed.



Hopper Insert

Mass flow hopper Inserts with patented anti-segregation design are engineered for use with the Shuttle Buggy® MTV.



Front Wheel Assist

Hydraulic motors on both rear bogies provide reliable control and additional maneuverability.

MODELS

Protect your investment and keep operating costs low by monitoring your machines in real time through a wireless signal with the Guardian® Telematics System. Guardian is the industry's only live 2-way telematics system. Guardian includes software, on-machine viewing screens, and wireless signal boosters to send and receive data in real time from anywhere at anytime.

Guardian provides the data you need to make changes in real time to mitigate risks and increase profits. Guardian's intuitive Live Schematics™ lets owners and technicians view electrical circuits in a simple, efficient layout with real time status of switches, valves, and settings.



8 ft Highway Class Pavers

Detail	Spec
Engine	Cummins® QSB6.7 174 hp (130 kW) @ 2,200 rpm
Max Paving Width	15 ft 6 in (4,724 mm)

RP-170 Wheeled Specifications

Detail	Spec
Weight	29,280 lbs (13,344 kg)
Hopper	11.5 tons (10.4 tonnes)
Travel Speed	0-10 mph (16 k/hr)
Paving Speed	0-300 fpm (91 m/min)
Tires	Hydroflated high flotation 16.00-24 sand rib drive tires

RP-175 Tracked Specifications

Detail	Spec
Weight	32,500 lbs (16,102 kg)
Hopper	10 Tons (9 tonnes)
Travel Speed	0-7 mph (12.8 k/hr)
Paving Speed	0-200 fpm (60 m/min)
Tracks	14 in (355 mm) wide, steel- reinforced, smooth tread rubber track



10 ft Highway Class Pavers

Detail	Spec
Engine	Cummins® QSB6.7 230 hp (172 kW) @ 1,900 rpm
Max Paving Width	19 ft 6 in (5,943 mm)



10 ft Heavy-Duty Highway Class Paver

Detail	Spec
Engine	Cummins® QSB6.7 250 hp (186 kW) @ 1,900 rpm
Max Paving Width	19 ft 6 in (5,943 mm)

RP-190 Wheeled Specifications

Detail	Spec
Weight	36,700 lbs (16,646 kg)
Hopper	13.8 ton (12.5 tonnes)
Travel Speed	0-12 mph (19 k/hr)
Paving Speed	0-284 fpm (86 m/min)
Tires	Hydroflated high flotation 18.00-25 sand rib drive tires

RP-250 Wheeled Specifications

Detail	Spec
Weight	39,500 lbs (17,463 kg)
Hopper	15.8 ton (14.3 tonnes)
Travel Speed	0-12 mph (19 k/hr)
Paving Speed	0-233 fpm (71 m/min)
Tires	Hydroflated 24.5-32 diamond tread tires

RP-195 Tracked Specifications

Detail	Spec
Weight	39,220 lbs (17,789 kg)
Hopper	13.8 ton (12.5 tonnes)
Travel Speed	0-7.5 (12 k/hr)
Paving Speed	0-215 fpm (66 m/min)
Tracks	18 in (457 mm) wide, smooth tread rubber track



ASTEC™

www.astecindustries.com