

# R962i Trailed Sprayer

6200 I



**Redefining  
crop  
protection**



## Better all round.

The new R962i trailed Sprayer is based on a simple insight: if you want higher productivity and lower costs per hectare, you need a machine that performs better all round – not just in one discipline.

So rather than just fitting an outside tank, we optimised every aspect of the spraying process as well. From job planning and filling to transport and spraying and right through to rinsing and chemical residue management. For better crop protection and a healthier bottom line for your business.

We selected the best technologies and solutions for every step in the spray cycle, drawing on our experience and in-house expertise. Then we brought them all together to create the R962i, the ultimate trailed sprayer. Thanks to certified ISOBUS technology, it can be controlled much more easily from your tractor.

As you'll discover in this brochure, the R962i trailed Sprayer really is better all round. From capacity to comfort, from accuracy to reliability and support, it ticks all the boxes in terms of features, productivity and cost-saving efficiency.

But don't take our word for it. Turn the page and see for yourself.



## Contents

Introduction .....	2 – 3
Meet the machine.....	4 – 5
Chassis & tank .....	6 – 7
Quality & dealers.....	8 – 9
Spraying cycle .....	10 – 11
Documentation.....	12 – 13
Filling .....	14 – 15
Transport.....	16 – 17
Booms .....	18 – 19
Spraying .....	20 – 21
Rinsing & dilution .....	22 – 23
Receiver and displays .....	24 – 25
Specifications .....	26 – 27

## Meet the machine.

- ✓ Advanced i-Solutions and automation in Operation
- ✓ Advanced ISOBUS tractor-sprayer communication
- ✓ GPS Section Control ready
- ✓ Spray boom automation (levelling and height)
- ✓ Automated filling, spraying and rinsing
- ✓ Unrivalled boom stability and longevity (field and road)
- ✓ Full documentation and data exchange
- ✓ Full documentation and data exchange (including Variable Rate Application)
- ✓ John Deere quality and service

**Chassis:** The entire chassis is designed specially for the job. The heart of the main frame is the cross structure in the centre section which absorbs torque and movements better.

**PowrFill chemical inductor:** This specially designed chemical inductor fills large volumes quickly, accurately and safely. A powerful injector draws in crop protection chemicals fast, limiting the risk of foaming.

**SolutionCommand:** Fill, spray or rinse accurately and easily – either from your sprayer's external operator station or from the comfort of your cab via the display.





**AutoDilute:** This automatic multicycle rinse programme and residue disposal management system comes as standard and features the following modes: boom rinse, system rinse, automatic stepwise residue dilution or continuous dilution and rinse cycle.

**SolutionCommand:** provides fingertip control over a wide range of sprayer functions.

- Automatic, accurate tank filling
- Full control over agitation performance
- Optimised spraying and working pressures
- Integrated AutoDilute system for residue disposal management – either from the operator station or using your in-cab display.

For even more filling capacity, specify the optional integrated centrifugal fill pump.

**ProRoad:** Double-link axle suspension with maintenance-free polyurethane dampers. For a smooth, stable ride on the road and in the field – no matter how full or empty your sprayer is.



**BoomGuard** suspension system ensures a smooth boom ride on the road and in the field.

- Unique pendulum construction makes booms self levelling
- Anti-yaw system minimises boom movements
- End stroke damping for smooth boom folding
- Stable, symmetrical boom folding



**BoomTrac** improves spray accuracy and distribution – and reduces drift – by automatically controlling boom tilt and height as you work. It's particularly useful on slopes and uneven fields, as well as during headland turns.



**SprayerPro** cuts input costs by reducing skips or overlap dramatically. This GPS-based system turns boom sections on and off automatically whenever you leave or enter a predefined area.

## The low-down on stability.

Even at first glance, you can see the R962i has a low centre of gravity. That way, even the biggest machine stays bottom-heavy.

The heart of the main frame is the cross structure in the centre section. This allows the chassis to absorb torque and movement better, reducing the risk of material fatigue or stress.

And because the frame cradles the tank perfectly, you get exceptional stability at all times. Full or empty. On the road or in the field. Even on slopes!

The level weight distribution also helps to keep your machine steady while you work, regardless of the boom position. That means better manoeuvrability, smoother transport, and faster, more accurate spraying.

Need a helping hand in the field? The optional wheel steering provides hillside adjustment and also serves as a track following system on the headland. Used together with our Headland Management System (fitted as standard), it reduces crop damage and can even steer your machine manually or automatically. Ask your dealer for details!



## All the capacity you need.

The tank is made of rugged, durable polyethylene for years of fuss-free service. It's designed for a low centre of gravity. Thanks to the deep sump and steeply sloping bottom, dead volume is minimised – even on slopes. And with no dead corners and baffles to disrupt the flow, agitation and rinsing are swift, smooth and thorough.

\*actual capacity + 5%



For smooth steering, we fit proportional hydraulic control as standard. Wheel steering can be controlled either manually or automatically – or even controlled via GPS in combination with Sprayer Pro.



### Multi-mode steering

Choose 'manual' when entering fields or reversing into corners or 'auto' for consistent track following. 'Crab' offers hillside adjustment, while 'HMS' activates the steering when you're not spraying at the headland.



6200 l nominal volume will boost your productivity.

## Superb build quality.

The R962i meets all machine directives and standards, as well as our own rigorous quality standards. Before we build a machine, we test all materials and products exhaustively. Then when we're done, we test every single function and calibrate the system for optimal spray distribution. Only when we're completely satisfied do we release a sprayer for delivery.

### ENTAM

The European Network for Testing of Agricultural Machines tests and rates a wide range of farming equipment (including our own) for functional, environmental and safety performance.

The good results from the past are continuing on our new R962i. This way we can ensure that our machine is better all around in many areas.

### Certified Sprayer tests

are now mandatory in several European countries. Our test facility is certified for testing sprayers in line with country-specific legal requirements. Where possible, we will gladly issue a certified sprayer test for your machine on request.



John Deere's sprayer expertise goes back more than 70 years. Today, we have a worldwide sprayer development programme with research and manufacturing facilities in both North America and Europe.



## Plus service to match.

Your John Deere dealer gives you what other sprayer manufacturers can't: personal, specialist advice and assistance right there in your region.

Instead of dealing with a factory hotline, you'll receive hands-on support from a team of experts who know your sprayer – and your business – like the back of their hand.

From in-field diagnosis to servicing and maintenance, our certified technicians go the extra mile to keep your operation running smoothly and efficiently. And thanks to our outstanding logistics network, your dealer can usually get any part you need within 24 hours if it's not in stock when you call.

Need a certified sprayer test? Your dealer can help with that too. Just tell him what you require and he'll take it from there.



Receive hands-on support right in your region from your John Deere dealer.

## It pays to spray the John Deere way.

When it comes to effective crop protection, timing and technology are almost as important as choosing the right crop protection chemicals. And while increasing spray speeds or using wider booms can certainly help, the real key to success lies in performing every stage of the process as accurately and efficiently as possible.

The R962i Premium is built for maximum productivity at every step of the way. From planning and documentation through filling and transport to spraying, rinsing and dilution, it makes spraying easier, more accurate and more profitable, while complying with all legal and environmental restrictions right across Europe.



Rinsing and dilution

5

Spraying

4

1

Documentation

2

Filling

3

Transport

## Keeping your profits on track.

For the ultimate in high-end productivity and accuracy use a new StarFire 3000 receiver and advanced GreenStar ISOBUS display to run your R962i Sprayer. Ask your dealer for details today!

### **NEW StarFire 3000 receiver**

The new StarFire 3000 receiver works seamlessly with all accuracy levels (EGNOS, SF1, SF2 and RTK) In addition to GPS signals, it can also use the Russian GLONASS satellites. The StarFire 3000 keeps you right on track even in shaded conditions: it picks up satellites that are just 5 degrees above the horizon.

### **NEW GreenStar 2630 TouchScreen display**

Touch the future! Designed to grow with your business, this state-of-the-art 26 cm TouchScreen is packed with all the power and features you need for years of high-end productivity: guidance, documentation, advanced ISOBUS capabilities, performance monitoring and much more. See page 24 for details.

### **GreenStar 1800 display**

This proven 7-inch full colour ISOBUS display offers realistic field views and ISOBUS implement control at the push of a button. From the entry-level GreenStar Lightbar to our hands-free AutoTrac guidance system, the GreenStar 1800 works with all John Deere guidance systems straight out of the box.



## Working with the R962i.

Take a closer look at how the new R962i boosts your productivity throughout the entire crop protection cycle – from documentation and filling to transport, spraying and rinsing.

### Seamless documentation

1

Good documentation provides a solid foundation for your entire operation. With the right data, you can work more productively this season – then create prescription maps that take yields higher still next time round.



## Painless preparation.

The R962i boosts productivity before it even leaves the yard. How? By helping you to streamline every aspect of your job planning and data recording.

Thanks to the full suite of i-Solutions, all the information you need on crop protection processes and traceability is collected automatically while you work. You can then either exchange them with your office PC, or print them out on your printer in the cab.

Depending on your workflow requirements, you can also use desktop software from an approved John Deere partner in Europe. Thanks to our special cooperation model, you can be sure everything will work seamlessly right out of the box.

Once you experience how much time and effort you save on paperwork and planning, you'll wonder how you ever managed without i-Solution productivity.



### FieldDoc

This real-time documentation software records all operations automatically – then lets you transfer them to your PC for analysis later on.

Please note: these GPS-based tools require a GreenStar 2630 display and a StarFire receiver. Contact your dealer for details!

### Tank Fill Calculator

Next time you plan a job, forget about pencils and paper. Tank Fill Calculator tells you right away how much of each chemical you'll need for the whole job, as well as for each tank fill or the partial fill you need to finish off.

All you do is enter key data such as field size, spray rate and applied crop protection chemicals, then set your mix. Tank Fill Calculator does the rest in seconds – automatically, and without errors. Since the calculations are based on the real-time data recorded as you spray, that means no more wasted time or chemicals!



### Spray-to-Map (Prescription Mapping)

Need to spray variable rates of fertiliser, herbicides, fungicides or growth regulators? No problem: just create prescribed application maps on your office PC, import them to the GreenStar 2630 display in your cab ... and you're ready to go.





## Fast, automated filling

# 2

Originally designed for our flagship self-propelled sprayers, SolutionCommand lets you fill, agitate, spray and multi-cycle rinse for residue disposal management at the push of a button – all from the comfort of your cab. No more climbing in and out to make adjustments or resets! You can even adjust agitation performance from your GreenStar display. Just enter the required agitation performance for your tank's fill status and the chemicals you're using – SolutionCommand does the rest.

### Powerful pumps

The R962i has a self-priming piston diaphragm pump designed specially for the job. It works with two 2 durable 6-cylinder sprayer pumps. The optional integrated centrifugal filling pump provides even more filling capacity on all models.

- Self-priming pumps
- Advanced in-cab control options
- 280 l or 560 l sprayer pump capacity
- Optional High Flow spray performance
- Automated agitation performance control
- Optional centrifugal pump boosts filling capacity up to 700 l/min.



The intuitive Operator Station has a selection of covered switches for all main functions. Everything is clearly indicated and right where you need it. No more walking round the machine! Inside the cab, a multifunctional lever and the GreenStar display complete the operation.

### Tank Fill Calculator

This John Deere exclusive saves you time and money on filling as well as on planning. To speed things up in the shed (and prevent errors), you can print out a list from your GreenStar display before you start.

When you need a partial refill to finish a job, Tank Fill Calculator checks how much you have left on board, then adjusts refill volumes to match. All calculations are done on the fly, so you always have the latest data on your display.

The generous sized chemical inductor swings out for easy access, so it's easy to fill liquids, powders and granulates from ground level. Need to fill from larger chemical containers? The optional BASF Ecomatic closed chemical transfer kit ensures safe, convenient handling.



### Keep it sorted

The standard storage locker has two compartments: one for clean clothing, the other for contaminated personal protective gear.

### Keep it clean

After filling, wash your hands in the separate wash tank that holds up to 20 l of clean water.



## Fast Transport

# 3

With its low centre of gravity and even weight distribution, the R962i is built for speed and stability. Even with a full tank, you can trail it safely and easily at speeds of up to 40 km/h\*. Since on-road time is basically downtime, that saves you money every time you go out to spray.

### Easy rider

Jolts and vibration don't just stress operators, they stress the whole machine too. That's why the R962i comes with ProRoad axle suspension as standard. This double-link axle suspension features tough, maintenance-free polyurethane dampers – for a smoother ride and a longer lifecycle.

### Chassis:

The cross structure in the centre section of the main frame absorbs torque and movements better, reducing the risk of material fatigue or stress.



\*where legally permitted





**A** Choose either a hitch or K80 ball type coupling. Either way, a tight connection to your tractor is assured.

**B** Slim drawbar design for sharp turns and smooth tracking in upper or lower linkage connection.

**C** ProRoad: this double-link axle suspension system has special polyurethane dampers to absorb shocks on the road and in the field. For more comfort, greater spray accuracy and a longer sprayer life.

**D** BoomGuard: spray booms are particularly vulnerable to stress and wear during fast on-road transport. BoomGuard keeps vibration to a minimum, however rough the going gets. Pressurised accumulators in the boom lift provide extra support, while special transport rolls cradle the boom gently but firmly. For longer boom life and less risk of damage.

**E** Low-slung design: The low centre of gravity and even weight distribution ensure safe, easy handling at speeds up to 40 km/h\*.



## Business is booming

# 4

When it comes to stability and durability, nothing comes close to John Deere. We offer a wide range of double and triple-folding steel booms for all your requirements. All have the quality features you need for reliable, high-precision performance – year after year.

### Accuracy starts with the boom

Boom stability is the key to accurate, profitable spraying. If your boom wobbles or swings, you're wasting chemicals now – and losing out on yields later on.

- Central pendulum for boom levelling
- BoomGuard anti-yaw suspension system
- Boom breakaway vertical and horizontal
- Durable ball-and-socket hinges with grease points for extended boom life
- Stainless steel spray lines with quick connectors
- Simple, reliable ringline circulation system for instant starts and stops ensures liquid is always pumped through the boom
- Optional pressure circulation ensures liquid is always pumped through the Spraylines



### BoomTrac

Automatic boom levelling and height control for sprayer booms increases distribution accuracy and permits faster working speeds in the field.

**Spray boom size selection**

Boom folding is controlled with the standard multi-function lever in the cab. It's a smooth process, thanks to the electric hydraulic control and the end-stroke dampening in the folding cylinders between the boom segments.



Double folded booms 24 – 28 meter	No. of section	Section widths, m
24 / 12 m	4	6-6-6-6
24 / 12 m	6	4-4-4-4-4-4
24 / 12 m	8	3-3-3-3-3-3-3-3
24 / 15 m	7	4.5-3-3-3-3-3-4.5
27 / 15 m	9	3-3-3-3-3-3-3-3-3
30 / 15 m	9	3-4.5-3-3-3-3-3-4.5-3
28 / 14 m	8	3-4-4-3-3-4-4-3
28 / 14 m	7	4-4-4-4-4-4-4
Triple folded booms 24 – 40 meter	No. of section	Section widths, m
24 / 18 m	8	3-3-3-3-3-3-3-3
27 / 18 m	7	4.5-4.5-3-3-3-4.5-4.5
27 / 21 m	9	3-3-3-3-3-3-3-3-3
28 / 20 m	7	4-4-4-4-4-4-4
30 / 21 m	9	4.5-3-3-3-3-3-3-4.5
32 / 21 m	8	4-4-4-4-4-4-4-4
33 / 21 m	9	3-3-4.5-4.5-3-4.5-4.5-3-3
36 / 24 m	9	4-4-4-4-4-4-4-4-4
36 / 24	12	3-3-3-3-3-3-3-3-3-3-3-3
39 / 27	13	3-3-3-3-3-3-3-3-3-3-3-3-3
39 / 27 m	9	4.5-4.5-4.5-4.5-3-4.5-4.5-4.5-4.5
40 / 27 m	13	3.5-3-3-3-3-3-3-3-3-3-3-3-3.5

\*All booms are available with ringline circulation or pressure circulation

**Multi functional lever control**

All critical functions, frequently used during spraying, are operated with the multi functional lever control: Master on/off, boom section control, boom height, boom tilt, variable geometry, boom folding and activation of BoomTrac.



## Precision spraying

# 4

### Premium precision

With cutting edge John Deere technology like SprayerPro or TwinFluid, your operators can cover more hectares with a single tank fill.

### Pump up the power

The self-priming diaphragm pump\* with 560 l pump capacity keeps output constant for more consistency, higher pressure and capacity:

### Ringline circulation

This simple, rugged system lets you charge the system with chemicals right up to the section valves in the sprayboom before you start to spray. You can start quickly with a full concentration.

### Optional Pressure circulation

This system circulates chemicals right up to the nozzles before you start to spray. In spray mode the liquid enters from both sides into the sprayline ensuring a faster pressure build up.



### SprayerPro

Automatic boom section control on sprayers and automatic closing of the main valve at headlands minimises overlap and saves on valuable plant protection products.

### Automatic section control

GreenStar SprayerPro takes full control of the boom sections, automatically switching them on and off when you leave or enter predefined areas and also the headland. (Headland control is only supported by the GreenStar 2630 display)

Even with less experienced operators and even in wedge-shaped fields it reduces skips or overlap – and hence your input costs for chemicals.

### Map based Variable Rate Application

Different areas need different amounts of crop care. This technology lets you set your application rates in advance, using prescription maps you prepare on your office PC. In the field, your sprayer then makes all the adjustments in real time, leaving operators free to focus on quality and productivity. The software you need to run Variable Rate Applications in the field comes preloaded on your GreenStar 2630 display.

### Choose the right droplet size

In addition to a wide selection of nozzles, we offer a twin-nozzle system that you control from the GreenStar display in your cab. This enables you to minimise spray drift by switching nozzle and droplet sizes on the fly.



### BoomTrac

automatically controls boom tilt and your boom's height above the crop or at the headland. That means one less thing to worry about – particularly on slopes or uneven fields.



## Clean machine

# 5

With a R962i sprayer, you can rinse and dilute quickly and effectively, all from the comfort of your cab. Thanks to SolutionCommand, you simply select the programme you want on the GreenStar display, then lean back while the machine does all the work. The AutoDilute system takes care of residue disposal management at the push of a button – all from the comfort of your cab.

SolutionCommand presets are designed to meet all EU legislative requirements and make sure even less experienced operators obtain good results every time.

### **Better by design**

Everything about the R962i is designed to streamline your rinsing and dilution procedures. The rounded tank has no corners or baffles to disrupt the flow. With its high operating pressure, the separate auto dilute pump can supply the rinsing nozzles directly with water from the rinse water tank. And thanks to the ringline or pressure circulation system, you can clean pipes right up the spray boom section valves or spray lines without spraying a drop from the nozzles.



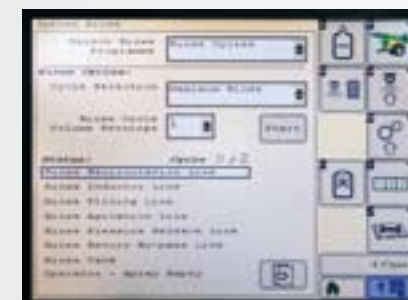
### AutoDilute

AutoDilute calculates how much clean water and how many cycles you need to achieve a given dilution factor. AutoDilute takes all dead volume and remaining contents into account and complies with current legal and environmental regulations in Europe.

- Comfortable, in-cab control over the entire dilution process
- 5 modes: AutoDilute, ContinuousDilute, System Rinse Boom Rinse and Rinse Cycle
- Faster rinsing for higher productivity
- Fewer operator errors
- Less crop damage and environmental pollution



**AutoDilute:** a separate pump sends clean water from the rinse tank to the solution tank to dilute the contents but without spraying from the nozzles. The piston diaphragm pump circulates the diluted contents through the complete sprayer plumbing and spray boom before spraying it out.



## The new StarFire 3000 receiver

This intelligent new receiver works seamlessly with GPS and GLONASS satellite constellations, all accuracy levels and all John Deere guidance systems. From Parallel Tracking manual guidance to the integrated automatic steering of AutoTrac, the StarFire 3000 will grow with your business for years to come.

- Improved Terrain Compensation Module
- Improved satellite acquisition
- Glonass satellite access
- Over-the-air signal activation



## The GreenStar 1800 Display

### Easy to follow

Looking for outstanding flexibility, comprehensive guidance, realistic field views and ISOBUS implement control? Take a closer look at our GreenStar 1800 Display!

- 7-inch full colour push-button display
- ISOBUS virtual terminal
- Compatible with GreenStar Lightbar, ATU 200 and AutoTrac system
- Sprayer Pro enabled (option)
- Free software updates



## The new GreenStar 2630 Display

### Touch the future

As your business grows, so do your challenges. That's why it makes sense to invest in a display that has the future right in: the new GreenStar 2630 TouchScreen. This full-colour display gives you full monitoring and control over all the i-Solutions you use in your John Deere tractor, combine or sprayer.

- Guidance and Guidance Pro Modules
- Documentation, performance monitoring
- Prescription maps
- Advanced ISOBUS capabilities (e.g. automatic section control)
- Brilliant 26 cm TouchScreen, Video enabled
- USB port for data transfer
- Standby mode for road transport or night-time use
- GreenStar Sprayer Pro enabled





## Special attachments for enhancing performance

There are many things you can do to customise your John Deere sprayer. Here you will find a few of the attachments we offer as **field installation kit**. Your dealer will gladly supply you with more detailed information:

### Boom Suspension for Hilly Fields

To enhance the boom ride at higher operating speeds or in hilly terrain, a special kit is available. Simply mount the compression springs between the centre pendulum and boom back frame.

### Edge Nozzle Holder

Edge nozzle holders should be positioned at the end of the spray boom and fitted with edge spray tip to prevent spraying directly into the watercourse. Three types of edge nozzle holder are available: single nozzle holder with manual control, single nozzle holder with electric control and multi nozzle holder with electric control.



Choose between three types of edge nozzle holder.

### Onboard High Pressure Washer

This 100 bar high-pressure washer effectively cleans both the sprayer and its booms in the field. Onboard hydraulically driven, it comes with a 16 m hose, hose reel and spray gun.

### Self-cleaning Pressure Filter

The self-cleaning filter kit allows operators to flush debris that may have collected in the base of the pressure filter without removing the filter bowl.

### Closed Chemical Transfer ECOMATIC System

The sprayer can be equipped with a closed chemical transfer filling system for use of larger, refillable containers for easier handling of agrochemicals. The kit comprises the connection into the suction side of the pump and transfers the chemicals into the tank.



For easier handling of chemicals use the closed chemical transfer ECOMATIC System.

## Specifications

	R962i
Nominal tank volume, l	6200
Real tank volume, l	6510
Rinse tank, l	nominal 520
Hand wash tank, l	18
Iso-Bus (9 pole Deutsch Connector)	Base
Sprayer Control with multi functional lever (Joystick)	Base
Sprayer pump type	Self priming piston diaphragm sprayer pumps
Spray pump capacity, 280 l/min	NA
Spray pump capacity, 560 l/min	Base
PTO Pumpdrive	Base
Hydraulic sprayer pump drive	Option
Spray pressure min- max, bar	1 – 8
PowrFill Inductor hopper cappacity, l	50
Centrifugal filling pump capacity, 700 l/min	Option
Ground Clearance under axle,* m	0,7
ProRoad Polyurethan Axle Suspension	Base
Track width availibilty, cm	180 – 225
Optional wheelsteering steering with proportional hydraulics turning radius,* m	8
Upper linkage tractor connection (height adjustable)	N/A
Lower linkage connection (height adjustable)	Available
Hydraulic System Oil Filter	Available

\*Depending on tyres fitted and boom

### Tyre sizes\*

Tyres mounted on fully welded rims (10 bolts)
380/90R46
480/80R46
480/80R50
520/85R38
520/85R42
520/85R46
620/70R38
620/70R42
710/70R38
710/70R42

\*Selectable tire size is depending on machine type and axle load

### Specifications SolutionCommand

Electric oprated valves* controled by swiches on the operator station or by the display in the cab	Base
Automatic tank filling system	Base
Digital tank level sensor with detailed readout in display	Base
Automatic agitation intensity control, free programable. Automatic or manual on/off control in display or operators station	Base
Sprayrate control by presurre- and flow sensor	Base
Multi cycle residue disposal management system (Auto Dilute) standard with following modes Boom rinse, system rinse, Automatic stepwise Dilution, Continous dilution, ringline circulation	Base
Cross flow check (detects nozzle wear, sprayline blockage or wrong programmed nozzle sizes)	Base
Anticipation factor in software ensures concentrated start when switching sections at the headland	Base
Start Delay Pressure regulator prevents under dosage at spray start in corner	Base
Low Flow Detection automatic sprayrate sensor selection if flow is out of measurement range of the flow sensor. pressure sensor takes command.	Base
Default setting Pressureregulator, prevents overdose at spray start after refill the tank	Base

\*Emergency control valve possible

### Nozzles

Check pricelist or <a href="http://www.deere...">www.deere...</a> select the nozzle calculator search on volume or on droplet sizes)
Teejet XR polymer (with cap and seal)
Teejet TT polymer (with cap and seal)
Turbo TwinJet TTJ60 polymer (with cap and seal)
Lechler IDK, POM (with cap and seal)
Lechler IDKT, POM (with cap and seal)
Teejet AI stainless steel (with cap and seal)
Lechler ID, POM (with cap and seal)
Lechler ID ceramic (with cap and seal)
Agrotop TD HiSpeed
Lechler IDN- turquoise, POM

### Fertilizer nozzles

TeeJet StreamJet 3-hole nozzle SJ3-VP
TeeJet StreamJet 7-hole nozzle SJ7-VP

### Edge nozzles

Teejet AIUB, stainless steel (with cap and seal)
Lechler IS, POM (with cap and seal)

**Specifications Sprayboom and Hydraulics**

Boom height range,* cm	200
Sprayboom material	Steel
Stainless steel spray lines with quick-connect couplings	Base
Parallelogram, hydraulic height adjustment with a nitrogen pressure accumulator suspension on the road and field and hydraulic transport lock	Base
Centre frame with vertical and horizontal boom suspension and pendulum lock (anti-yaw)	Base
Endstroke dampening in hydraulic cilinders boom folding cilindres between sprayboom segments,	Base
GPS section control ready	Base
Ball- and sockett bearings in swivel points	Base
Boom breakaway protection	Base
Hydraulic boomtilt, control with Multifunctional lever with auto center function and boom positioning indicator in display actual or pre-set postion.	Base
Tractor hydaulic system requirements	SA or DA selective control valve with pressureless return / Optional Load Sence hydraulics

Hydraulic flow requirements always depend on the selected options. Indication on minimum tractor hydraulic oil flow requirements with full options for sprayers without hydraulic pump drive; l/min

40

**Weights\***

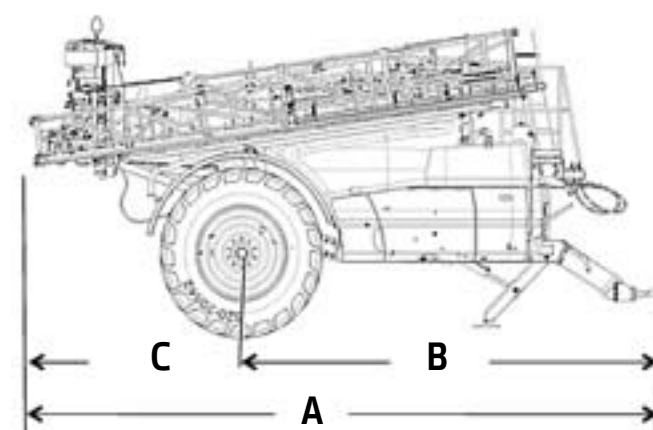
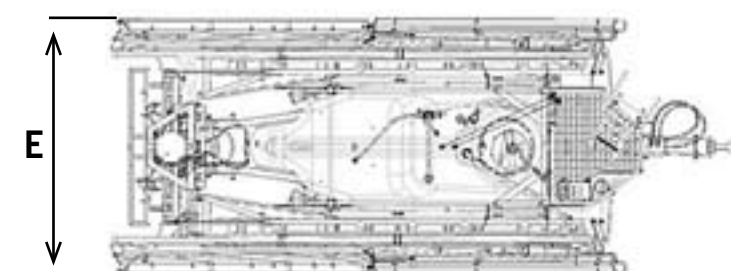
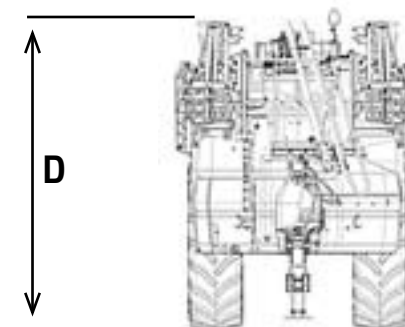
Total weight empty, kg	6200
Total weight full, kg	13000
Tow eye load, kg	3000
Axle load, kg	10000

\*All weights are approximate with base equipment and 24 m boom

**Measurements in cm**

Base sprayer	Spray boom	A	B	C	D	E
R962i	36/24	750	500	250	380	300

\*All measurements are approximate with tyres VF380/90R46 Overall machine height depends on boom adjustment.



# A better deal all round

John Deere is committed to keeping you up and running. That's why our products and technologies are quality-built, state-of-the-art and efficient.

We've invested so much time in building an effective dealer network so we can be like a good neighbour – there to help when you need us. That's why all our dealer employees are John Deere trained. They know every nut and bolt on your equipment and they're skilled at diagnosing any potential problems.

Count on John Deere for all your Sprayer needs. With more than 170 years of experience in the farm equipment business, we can honestly say: Reliability is our Strength.



JohnDeere.com



**"Take the credit for buying the best"**

John Deere Credit – A range of finance options as powerful as our products. Contact your John Deere dealer for a comprehensive range of finance options to suit the specific needs of your business. Not available in all countries please consult your local dealer.

This literature has been compiled for worldwide circulation. While general information, pictures and descriptions are provided, some illustrations and text may include finance, credit, insurance, product options and accessories not available in all regions. Please contact your local dealer for details. John Deere reserves the right to change specification and design of products described in this literature without notice.