



R 06 Technical Data.

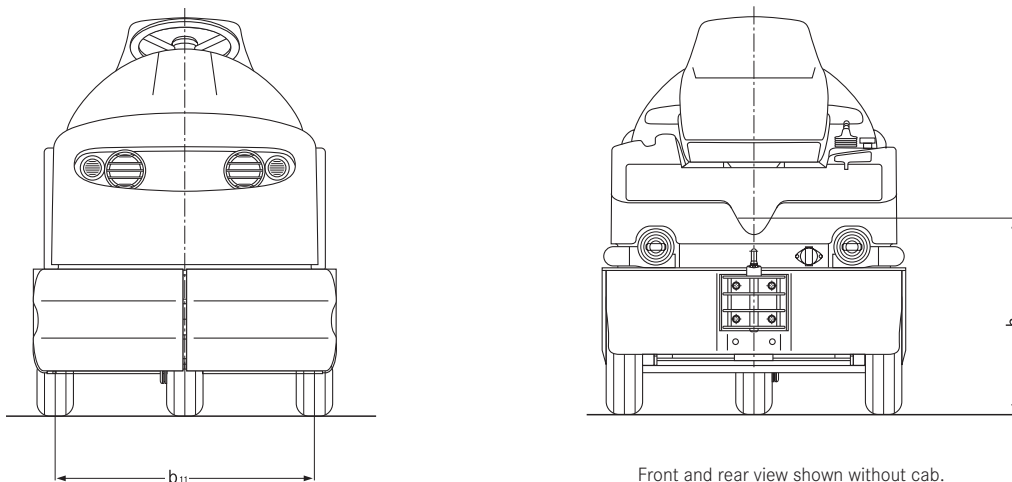
Electric Tow Tractor

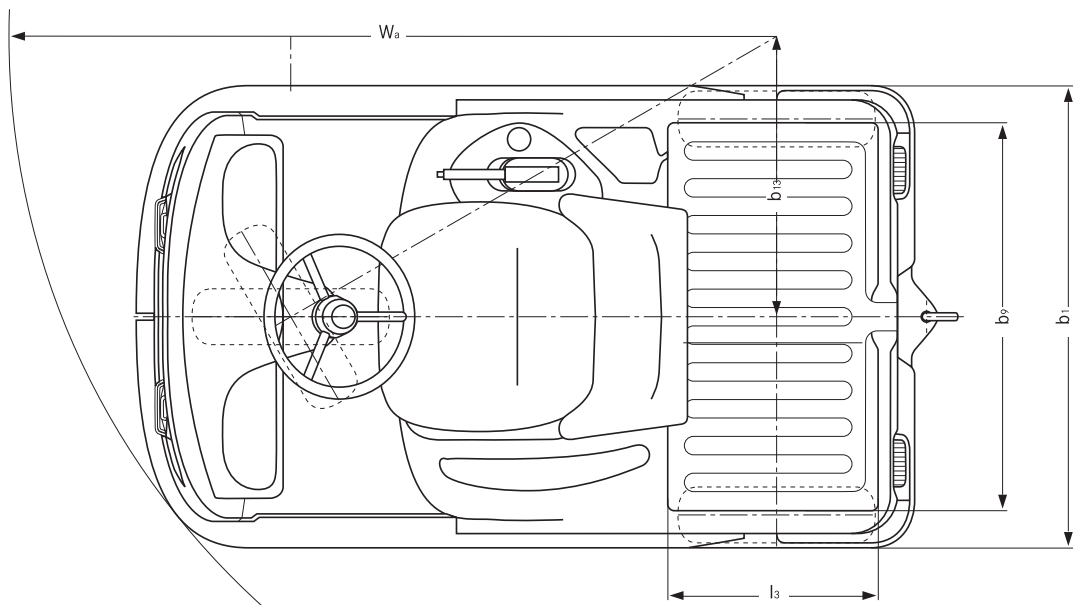
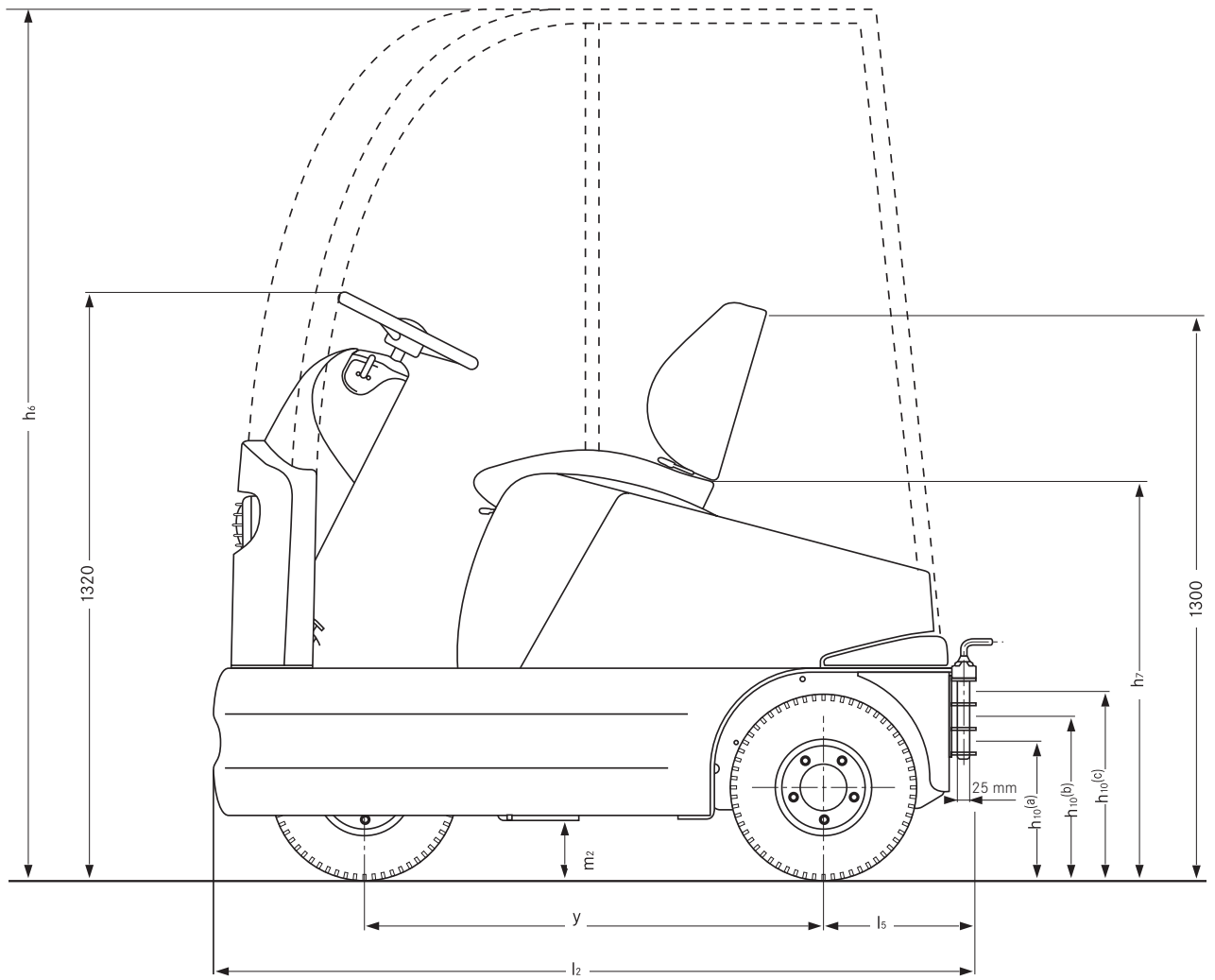


In accordance with VDI guidelines 2198, this specification applies to the standard model only.
Alternative tyres, mast types, ancillary equipment, etc. could result in different values.

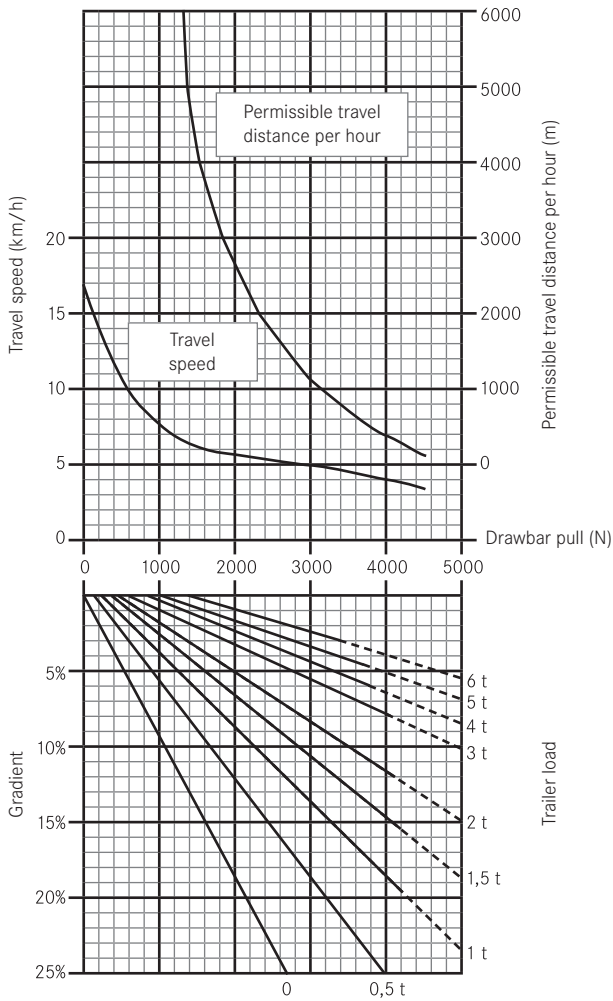
Characteristics	1.1	Manufacturer			STILL
	1.2	Manufacturer's model designation			R 06-06
	1.3	Power supply			electric
	1.4	Type of control			rider seated
	1.5	Carrying capacity/load	Q	kg	150
	1.5.1	Trailer load	Q	kg	6000 ¹
	1.7	Towing capacity	F	N	1200
	1.9	Wheelbase	y	mm	1040
	Weight	2.1	Weight		kg
2.2		Axle loadings laden front		kg	-
2.2.1		Axle loadings laden rear		kg	-
2.3		Axle loadings unladen front		kg	420 470
2.3.1		Axle loadings unladen rear		kg	600 600
Wheels - Tyres	3.1	Tyres - rubber (V), SE, pneu (L), poly (PE)			L/SE
	3.2	Tyre size - front			4.00-8/6 PR
	3.3	Tyre size - rear			4.00-8/6 PR
	3.5	Wheels - number front (x = drive wheel)			1
	3.5.1	Wheels - number rear (x = drive wheel)			2 x
	3.6	Track width - front	b ₁₀	mm	0
	3.7	Track width - rear	b ₁₁	mm	860
Dimensions	4.7	Height to top of overhead guard (cabin)	h ₆	mm	1960
	4.8	Seat height	h ₇	mm	890
	4.12	Coupling height	h ₁₀	mm	290 ^{a)} /345 ^{b)} /400 ^{c)}
	4.13	Platform height unladen	h ₁₁	mm	610
	4.16	Platform length	l ₃	mm	440
	4.17	Rear overhang	l ₅	mm	345
	4.18	Platform width	b ₉	mm	830
	4.19	Overall length	l ₁	mm	1730
	4.21	Overall width	b ₁	mm	996
	4.32	Ground clearance at centre of wheelbase	m ₂	mm	115
	4.35	Outer turning radius	W _a	mm	1650
4.36	Inner turning radius	b ₁₃	mm	600	
Performance	5.1	Speed laden		km/h	7
	5.1.1	Speed unladen		km/h	17
	5.5	Rated drawbar pull laden		N	1200
	5.5.1	Rated drawbar pull unladen		N	1200
	5.6	Max. drawbar pull laden		N	-
	5.6.1	Max. drawbar pull unladen		N	-
	5.7	Gradeability laden		%	As per diagram overleaf
	5.7.1	Gradeability unladen		%	
	5.8	Max. gradeability laden		%	
	5.8.1	Max. gradeability unladen		%	
5.10	Brakes			hydraulic/electric.	
Motor	6.1	Drive motor hourly capacity		kW	3.2
	6.3	Battery equipment to DIN 43531/35/36 A, B, C, no			43535 A 43531 A
	6.4	Battery voltage	U	V	24 48
	6.4.1	Battery capacity	K _s	Ah	575 (500-625) 345 (300-375)
	6.5	Battery weight		kg	445 560
	6.6	Energy consumption according to VDI-Cycles		kWh/h	-
Other	8.1	Drive control			microprocessor
	8.4	Average noise peak at operator's ears		dB (A)	66
	8.5	Trailer coupling, type/DIN			pin

¹ for a rolling resistance of 200 N/t on the level, for driving on gradients as the performance diagram





Performance chart R 06-06.



Load /gradient combinations shown by full line can be restarted from stationary on the gradient.

The permissible haul per hour is the total distance travelled, including the return journey and any downhill gradients.

It is recommended that braked trailers are used for trailer loads exceeding 2.5 tonnes and for all trailer loads if gradients are involved.

Drive.

- The R 06-06 features 24 volt drive as standard with 48 volt as an option.
- An easily serviced rear wheel drive unit with shunt wound DC motor gives sensitive driving response, smooth and powerful acceleration to top speed. Wear-free braking is achieved using only the drive pedal.
- The drive motor is actuated through a silent power adjuster using MOSFET technology. This does away with the need for wear-prone direction and braking contactors.
- When the drive pedal is released, electrical energy is fed back into the battery (service braking) giving the R 06-06 a greater range on one battery charge.

Battery charging and changing.

- The battery cover can be hinged back in two stages:
- half open to allow access to the battery,
 - fully open for a quick battery change or for servicing.

Electrical system.

The tractor is equipped with a digital MOSFET controller to keep servicing costs low. Contactors are a thing of the past. Travel speed is controlled by the drive pedal, which gives soft starting and braking and makes for safe, efficient operation. The facility to pre-set acceleration and braking response as well as maximum speed increases operational safety, reduces down times and extends truck life.

Brakes.

The R 06 is equipped with three independent braking systems:

1. Electrical braking with recovery of energy when:
 - the drive pedal is released during travel,
 - the direction control is moved into the opposite direction,
2. Hydraulic drum brakes on all wheels.
3. Mechanical hand brakes on the rear wheels. Electrical braking minimises brake lining wear.
 - On downward gradients, travel speed is automatically reduced when the drive pedal is released - an additional safety factor.

Steering.

Extremely light steering makes the tractor particularly manoeuvrable and reduces driver fatigue.

Frame.

Completely self supporting body contributes to very stable driving characteristics. The frame is constructed for maximum strength and rigidity. The upper section is made of rugged polyethylene mouldings which resist corrosion, impact and abrasion.

The lower section of the frame is made of steel and consists of two external main beams. The bumper-like profile of these beams makes the tractor very sturdy. The battery is mounted low between the axles to give the greatest possible stability. Low centre of gravity ensures safe road holding.

Lighting.

Standard equipment includes front headlights protected by grilles, sidelights, rear and brake lights. A 7 pin socket is fitted for electrical connection to the trailer.

Tow coupling and load platform.

- The tractor is fitted as standard with a multi-stage coupling at the rear.
- A load platform is let into the rear section of the battery cover. Its surface is slightly tilted towards the rear and provided with a drain hole so that rain water or other liquids cannot collect. This load platform can take up to 150 kg (50 kg when a cab is fitted).

Driver's compartment.

The R 06-06 provides a comfortable, ergonomically designed workplace and offers the following features:

- Low entry step.
- Hand brake mounted to the right of the driver's seat.
- Roomy footwell fitted with non-slip rubber matting.
- Bottle holder and spacious storage compartment.
- Driver's seat fitted with a pocket to hold documentation.

Display panel with:

- Combined warning light for handbrake/low brake fluid.
- Warning light for operating fault.
- Brush wear indicator.
- Motor temperature warning.
- Battery discharge indicator.
- Work hour meter.

Standard equipment.

The tractor is fitted as standard with the following equipment:

- All safety devices.
- Electrical system including 24 volt lighting.
- Adjustable driver's seat.
- Pneumatic tyres.
- Micro-processor control.
- Display panel.
- Multi-stage coupling.
- Two tone paint.
- Front lights, sidelights, rear and brake lights.

Safety.

The R 06-06 complies with all valid EU safety requirements and regulations and carries the "CE" symbol.

The tractor is equipped with the following safety equipment:

- Three independent brake systems.
- Emergency off switch.
- Safety switch in the driver's seat.

Optional equipment.

- Speed limiter.
- Fixed cab with two removable glazed side doors and hinged window at the rear. Screen wipers front and rear. Front screen washer and demister unit. Interior lighting. Interior mirror and two exterior mirrors.
- Canvas cab with roll up sides. Glazed screens front and rear. Screen wipers front and rear. Front screen washer. Interior lighting. Interior mirror and two exterior mirrors.
- Weather protection with wiper and washer at the front.
- Superelastic tyres - normal or self coloured.
- Cloth covered driver's seat - with or without seat heater.
- Front towing coupling.
- Automatic coupling front and rear.
- Roadgoing lights.
- Reverse inching button.
- Audible reversing signal.
- Special paint.
- Speed limiter.
- flashing beacon on the overhead gaurd or extension rod.
- Other auxiliary equipment on request.

Service.

Powerful diagnostics package within the controller allows faults to be traced quickly, reducing down times and servicing costs. Important driving characteristics can be adjusted using the digital controller, e.g. acceleration and braking characteristics, pre-selection of maximum speed etc.



Your contact

STILL GmbH
Berzeliusstraße 10
D-22113 Hamburg
Telephone: +49 (0)40/73 39-2000
Telefax: +49 (0)40/73 39-2001
info@still.de

For further information please visit:
www.still.de

STILL Materials Handling Ltd.
Aston Way, Leyland
Lancashire PR26 7UX
Telephone: +44 (0)1772 644300
Telefax: +44 (0)1772 644303
info@still.co.uk

For further information please visit:
www.still.co.uk