

MOVING YOU FURTHER

Robex
210W-9S

With Tier 2 Engine installed



*Photo may include optional equipment.

 **HYUNDAI**
CONSTRUCTION EQUIPMENT

Head Office (Sales office)

First tower, 55, Bundang-ro, Bundang-gu, Seongnam-si, Gyeonggi-do, Korea

PLEASE CONTACT

www.hyundai-ce.com

2019. 11 Rev.8

 **HYUNDAI**
CONSTRUCTION EQUIPMENT

Pride at Work

Hyundai Heavy Industries strives to build state-of-the-art earthmoving equipment to give every operator maximum performance, more precision, versatile machine preferences, and proven quality. Take pride in your work with Hyundai!

Robex 210w-95

Machine Walk-Around

Engine Technology

Proven and reliable, fuel efficient HYUNDAI HM 5.9
Low noise / Auto engine warm up feature / Anti-restart feature

Hydraulic System Improvements

New patented hydraulic control system for improved controllability / Improved control valve design for added efficiency and smoother operation / New auto boom and swing priority system for optimum speed / New auto power boost feature for additional power when needed / Improved arm-in flow regeneration system for added speed and efficiency

Pump Compartment

Industry-leading, powerful, reliable Kawasaki designed, variable volume in-line axial piston pumps
New compact solenoid block equipped with 3 solenoid valves, 1 EPPR valve, 1 check valve accumulator and pilot filter-controls safety lock, power boost, arm-in regeneration control, boom priority (swing logic valve control)
Remotely mounted fuel, engine oil and case drain filters for maximum convenience while servicing

Carrier

Heavy duty carrier frame with two speed powershift transmission
Heavy duty drive line and axles / Front axle oscillation +/- 7 degrees with ram lock
Wet disc brake (front & rear) / Automatic parking brake - spring applied, hydraulically released

Improved Steering Column

Slim-profile steering column capable of telescoping 60 mm and tilting 30 degrees

Enhanced Operator Cab

Improved visibility

Enlarged cab with improved visibility
Larger right-side glass, now one piece, for better right visibility
Safety glass windows on all sides - less expensive than polycarbonate and won't scratch or fade
Reduced front window seam for improved operator view

Improved Cab Construction

New steel tube construction for added operator safety, protection and durability
New window open/close mechanism designed with cable and spring lift assist and single latch release

Improved Suspension Seat / Console Assembly

Ergonomic joysticks with auxiliary control buttons for attachment use, now with new sleek styling
Adjustable arm rests - turn dial to raise or lower for optimum comfort

Advanced 7" Color Cluster

New color LCD display with easy-to-read digital gauges for hydraulic oil temperature, water temperature, and fuel. Simplified design makes adjustment and diagnostics easier. Also, new enhanced features such as rear-view camera are integrated into monitor
3 power modes : (P) Power, (S) Standard, (E) Economy, 2 work modes : Dig & Attachment, (U) User mode for operator preference
Enhanced self-diagnostic features with GPS/satellite technology
One pump flow or two pump flow for optional attachment now selectable through the cluster
New anti-theft system with password capability
Boom speed and arm regeneration are selectable through the monitor
Auto power boost is now available - selectable (on/off) through the monitor

Hi-mate (Remote Management System) works through GPS/Satellite technology to ultimately provide better customer service and support



*Photo may include optional equipment.

Preference

Operating a 9S Series is unique to every operator. Operators can fully customize their work environment and operating preferences to fit their individual needs.



*Photo may include optional equipment.



Wide Cabin with Excellent Visibility

The newly designed cabin was conceived for more space, a wider field of view and operator comfort. Special attention was given to a clear, open and convenient interior with plenty of visibility on the machine surroundings and the job at hand. This well balanced combination of precision aspects put the operator in the perfect position to work safely and securely.

Operator Comfort

In a 9S series cabin you can easily adjust the seat, console and armrest settings to best suit your personal operating preferences. Seat and console position can be set together and independent from each other. Improved steering wheel telescope and tilt functions provide operators improved access. A fully automatic, high capacity airconditioning system maintains a constant preferred temperature.



Reduced Stress

Work is stressful enough. Your work environment should be stress free. Hyundai's 9S Series provides improved cab amenities, additional space and a comfortable seat to minimize stress to the operator. A powerful climate control system provides the operator with optimum air temperature. An advanced audio system with USB player, AM/FM stereo is perfect for listening to music favorites.



Operator - Friendly Cluster

The advanced new cluster with 7 inch wide color LCD screen and toggle switch allows the operator to select his personal machine preferences. Power and work mode selection, self diagnostics, optional rear-view camera, maintenance check lists and start-up machine security were integrated into the cluster to make the machine more versatile and the operator more productive.



Precision

Innovative hydraulic system technologies make the 9S Series excavator fast, smooth and easy to control.



*Photo may include optional equipment.

Computer Aided Power

The engine horsepower and hydraulic horsepower together in unison through the advanced CAPO(Computer Aided Power Optimization) system, flow for the job at hand. Operator can set their own preferences for boom or swing priority, power mode selection and optional work tools at the touch of a button.

The CAPO system also provides complete self diagnostic features and digital gauges for important information like hydraulic oil temperature, water temperatures and fuel level. This system interfaces with multiple sensors placed throughout the hydraulic system as well as hydraulic flow.

Power Mode

P (Power Max) mode maximizes machine speed and power for mass production. S (Standard) mode provides a reduced, fixed rpm for optimum performance and improved fuel economy. For maximum fuel savings and improved control, E (Economy) mode provides precise flow based on load demand. Three unique power modes provide the operator with custom power, speed and fuel economy.

Work Mode

The work mode allows the operator to select single flow attachments like a hydraulic breaker or bi-directional flow attachments like a crusher. Flow settings unique to each attachment can be programmed from within the cluster.

User Mode

Some jobs require more precise machine settings. Using the versatile U (User) mode, the operator can customize engine speed, pump output, idle speed and other machine settings for the job at hand.

Improved Hydraulic System

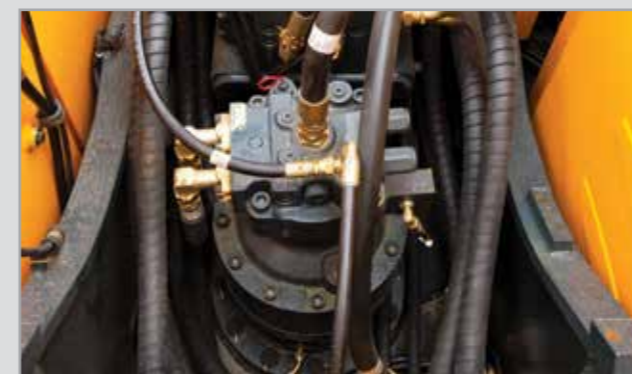


To achieve optimum precision, Hyundai redesigned the hydraulic system to provide the operator with super fine touch and improved controllability. Improved pump flow control reduces flow when controls are not being used to minimize fuel consumption.

Improved spool valves in the control valve are engineered to provide more precise flow to each function with less effort.

Improved hydraulic valves, precision-designed variable volume piston pumps, fine-touch pilot controls, and enhanced travel functions make any operator running a 9S Series look like a smooth operator. Newly improved

features include arm-in and boom-down flow regeneration, improved control valve technology and innovative auto boom and swing priority for optimal performance in any application.

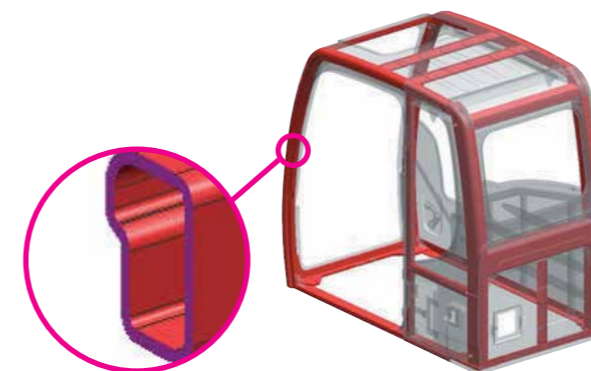


Auto Boom-swing Priority

This smart function automatically and continuously looks the ideal hydraulic flow balance for the boom and swing motions of the machine. The advanced CAPO system monitors the hydraulic system and adjusts its settings to maximize performance and productivity.

Performance

9S Series is designed for maximum performance to keep the operator working productively.



Structural Strength

The 9S series cabin structure has been fitted with stronger but slimmer tubing for more safety and better visibility. Low-stress and high strength steel was integrally welded to form a strong and stable lower frame. Structural durability was evaluated and tested by means of FEM (Finite Elements Method) analysis and long-term durability tests.



Improved Durability

9S series excavators are equipped with stainless spring guards to protect the hoses from external damages. Both dozer and outrigger are equipped with cylinder guards for added protection.

New Auto Ram Lock System

During not traveling in work-mode, a new auto ram lock system is available to improve operating safety.



HYUNDAI HM5.9

The Hyundai HM5.9 engine has been designed with 40% fewer parts than the competition. That means there's less that can go wrong when you need it most. It also means fewer parts to inventory. Repairs are simplified because no special tools are needed for maintenance. The weight of the machine is reduced without sacrificing strength. The Hyundai HM5.9 engine is capable of reaching emission standards without electronic engine controls. You get a proven power plant that meets ecological concerns, without paying a premium for technology you don't need.

*Photo may include optional equipment.

Profitability

9S Series is designed to maximize profitability through improved efficiencies, enhanced service features and longer life components.



*Photo may include optional equipment.

Fuel Efficiency

9S Series excavators are engineered to be extremely fuel efficient. New innovations like two-stage auto decel system and the new economy mode help to conserve fuel and reduce the impact on the environment.



Hi-MATE (Remote Management System)

Hi-MATE, Hyundai's proprietary remote management system, provides operators and dealer service personnel access to vital service and diagnostic information on the machine from any computer with internet access. Users can pinpoint machine location using digital mapping and set machine work boundaries, reducing the need for multiple service calls. Hi-MATE saves time and money for the owner and dealer by promoting preventative maintenance and reducing machine downtime.



Easy Access

Ground-line access to filters, lube fittings, fuses, machine computer components and wide open compartments makes service more convenient on the 9S Series.



Long-Life Components

9S series excavators were designed with bushings designed for long-life lube intervals (250 hrs) & polymer shims (wear resistant, noise reducing), long-life hydraulic filters (1,000hrs), long-life hydraulic oil (5,000hrs), more efficient cooling systems and integrated preheating systems which extend service intervals, minimize operating costs and reduce machine down time.

Specifications

ENGINE

MODEL		HYUNDAI HM 5.9	
Type		Water cooled, 4 cycle diesel, 6-cylinders in line, direct injection, turbocharged, charger air cooled and low emission.	
Rated flywheel horsepower	SAE	J1995 (gross)	178 HP (133 kW)/ 2,000 rpm
		J1349 (net)	163 HP (121 kW)/ 2,000 rpm
horsepower	DIN	6271/1 (gross)	180 PS (133 kW)/ 2,000 rpm
		6271/1 (net)	165 PS (121 kW)/ 2,000 rpm
Max. torque		72.2 kgf-m(522 lbf-ft) at 1,500 rpm	
Bore X stroke		102 x 120 mm (4" x 4.7")	
Piston displacement		5,880 cc (359 in ³)	
Batteries		2 x 12 V x 100 AH	
Starting motor		24V-4.5 kW	
Alternator		24V-90 Amp	

HYDRAULIC SYSTEM

MAIN PUMP	
Type	Two variable displacement piston pumps
Rated flow	2 X 192 L /min
Sub-pump for pilot circuit	Gear pump

Cross-sensing and fuel saving pump system

HYDRAULIC MOTORS	
Travel	Variable displacement bent-axis axial pistons motor
Swing	Axial piston motor with automatic brake

RELIEF VALVE SETTING	
Implement circuits	350 kgf/cm ² (4,980 psi)
Travel	380 kgf/cm ² (5,400 psi)
Power boost (boom, arm, bucket)	380 kgf/cm ² (5,400 psi)
Swing circuit	265 kgf/cm ² (3,770 psi)
Pilot circuit	40 kgf/cm ² (570 psi)
Service valve	Installed

HYDRAULIC CYLINDERS	
No. of cylinder bore X stroke	Boom : 2-120 x 1,290 mm (4.7" x 50.8")
	Arm : 1-140 x 1,510 mm (5.5" x 59.4")
	Bucket : 1-120 x 1,055 mm (4.7" x 41.5")
	Blade : 2-125 x 222 mm (4.9" x 8.7")
	Outrigger : 2-130 x 427 mm (5.1" x 16.8")

DRIVES & BRAKES

4-wheel hydrostatic drive. Constant mesh, helical gear transmission provides

2 forward and reverse travel speeds.

Max. drawbar pull		11,900 kgf (26,240 lbf)
Travel speed	1st	8.7 km/h (5.4 mph)
	2nd	30 km/h (18.6 mph)
Gradeability		34° (67.4 %)

Service Brake :

- Independent dual brake, front and rear axle full hydraulic power brake.

- Spring released and hydraulic applied wet type multiple disc brake.

Parking Brake :

- Spring applied and hydraulic released wet disc brake type in transmission.

CONTROL

Pilot pressure operated joysticks and pedals with detachable lever provide almost effortless and fatigueless operation.

Pilot control	Two joysticks with one safety lever (LH): Swing and arm, (RH): Boom and bucket (ISO)
Engine throttle	Electric, Dial type

AXLE & WHEEL

Full floating front axle is supported by center pin for oscillation. It can be locked by oscillation lock cylinders. Rear axle is fixed on the lower chassis.

Tires	10.00-20-14PR, Dual(tube type)
(optional)	10.00-20, Dual(solid type)

SWING SYSTEM

Swing motor	Fixed displacement axial pistons motor
Swing reduction	Planetary gear reduction
Swing bearing lubrication	Grease-bathed
Swing brake(option)	Multi wet disc
Swing speed	10.5 rpm

STEERING SYSTEM

Hydraulically actuated, orbital type steering system actuates on front wheels through the steering cylinders.

Min. turning radius	6,690 mm(21' 11")
---------------------	-------------------

COOLANT & LUBRICANT CAPACITY

() : option

	liter	US gal	UK gal
Re-filling			
Fuel tank	310.0	81.9	68.2
Engine coolant	35.0	9.2	7.7
Engine oil	14.2	3.8	3.1
Swing device - gear oil	5.0(6.2)	1.3(1.05)	1.1(0.9)
Axle	Front	14.6	3.9
	Rear	18.5	4.9
Hydraulic system (including tank)	340.0	89.8	74.8
Hydraulic tank	165.0	43.6	36.3

UNDERCARRIAGE

Reinforced box-section frame is all-welded, low-stress.

Dozer blade and outriggers are available. A pin-on design.

Dozer blade	A very useful addition for leveling and back filling or clean-up work.
Outrigger	Indicated for max. operation stability when digging and lifting. Can be mounted on the front or the rear.

OPERATING WEIGHT (APPROXIMATE)

Operating weight, including 5,650mm (18' 6") boom, 2,920mm (9' 7") arm, SAE heaped 0.80m³ (1.05yd³) backhoe bucket, lubricant, coolant, full fuel tank, hydraulic tank and the standard equipment.

MAJOR COMPONENT WEIGHT	
Upperstructure	5,240 kg (11,550 lb)
Boom(with arm cylinedr)	1,790 kg (3,950 lb)
Arm(with bucket cylinder)	1,095 kg (2,410 lb)

OPERATING WEIGHT	
Front outrigger and rear blade	20,500 kg (45,190 lb)
Front and rear outrigger	20,600 kg (45,420 lb)
Front blade and rear outrigger	20,600 kg (45,420 lb)

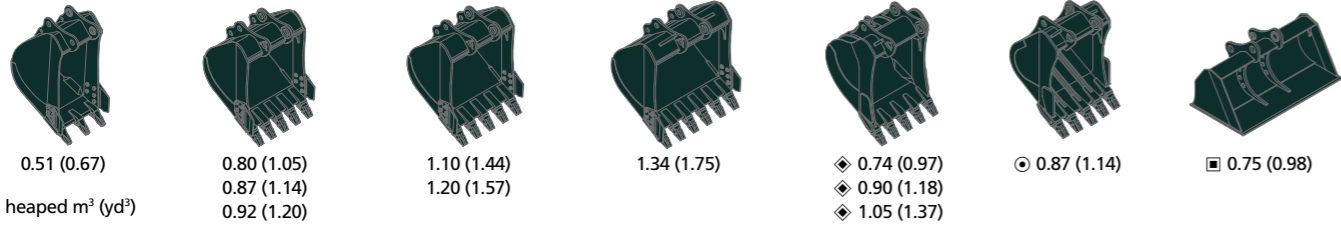
AIR CONDITIONING SYSTEM

The air condition system for the machine contains the fluorinated greenhouse gas with global warming potential of R134a. (Global Warming Potential : 1430)

The system hold 0.8kg refrigerant consisting of a CO₂ equivalent 1.14kg metric tonne. For more information, Please refer to the manual.

BUCKETS

All buckets are welded with high-strength steel.



Capacity m³ (yd³)		Width mm (in)		Weight kg (lb)	Recommendation mm (ft-in)		
SAE heaped	CECE heaped	Without sidecutters	With sidecutters		5,650 (18' 6") Boom		
				2,000 (6' 7") Arm	2,400 (7' 10") Arm	2,920 (9' 7") Arm	
0.51(0.67)	0.45(0.59)	700(27.6)	820(32.3)	570(1,260)	●	●	●
0.80(1.05)	0.70(0.92)	1,000(39.4)	1,120(44.1)	700(1,540)	●	●	●
0.87(1.14)	0.75(0.98)	1,090(42.9)	1,210(47.6)	740(1,630)	●	●	●
0.92(1.20)	0.80(1.05)	1,150(45.3)	1,270(50.0)	770(1,700)	●	●	■
1.10(1.44)	0.96(1.26)	1,320(52.0)	1,440(56.7)	830(1,830)	●	■	▲
1.20(1.57)	1.00(1.31)	1,400(55.1)	1,520(59.8)	850(1,870)	●	■	-
1.34(1.75)	1.15(1.50)	1,550(61.0)	1,670(65.7)	920(2,030)	■	▲	-
◆ 0.74(0.97)	0.65(0.85)	985(38.8)	-	770(1,700)	●	●	●
◆ 0.90(1.18)	0.80(1.05)	1,095(43.1)	-	810(1,790)	●	●	■
◆ 1.05(1.37)	0.92(1.20)	1,290(50.8)	-	890(1,960)	●	■	▲
◎ 0.87(1.14)	0.75(0.98)	1,140(44.9)	-	900(1,980)	●	●	■
■ 0.75(0.98)	0.65(0.85)	1,790(70.5)	-	880(1,940)	●	●	■

◆ Heavy duty bucket ◎ Rock-heavy duty bucket
■ Slope finishing bucket

● : Applicable for materials with density of 2,000 kg/m³ (3,370 lb/ yd³) or less
■ : Applicable for materials with density of 1,600 kg/m³ (2,700 lb/ yd³) or less
▲ : Applicable for materials with density of 1,100 kg/m³ (1,850 lb/ yd³) or less

ATTACHMENT

Boom and arms are welded with a low-stress, full-box section design. 5.65m (18' 6") boom and 2.0m (6' 7"), 2.4m (7' 10"), 2.92m (9' 7") arms are available.

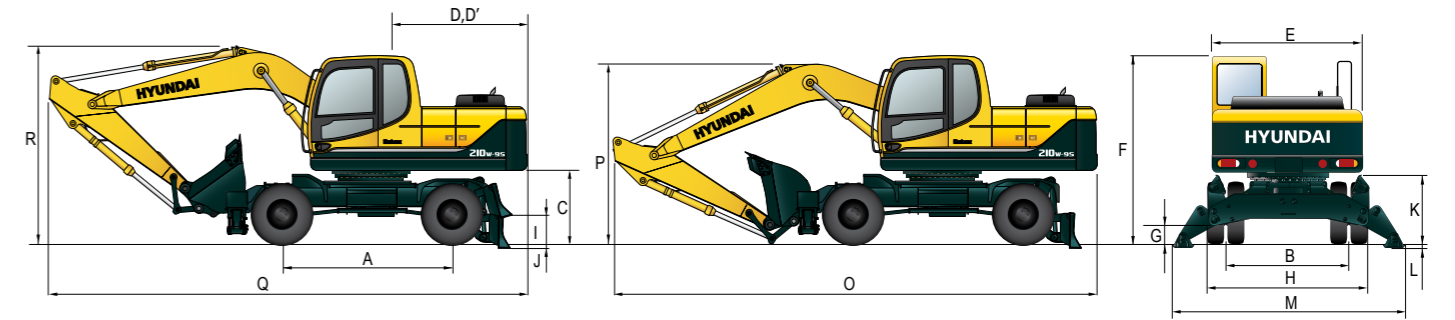
DIGGING FORCE

Boom	Length	mm (ft-in)	5,650 (18' 6")			Remarks
	Weight	kg (lb)	1,790 (3,950)			
Arm	Length	mm (ft-in)	2,000 (6' 7")	2,400 (7' 10")	2,920 (9' 7")	Power Boost
	Weight	kg (lb)	975 (2,150)	1,045 (2,300)	1,095 (2,410)	
Bucket digging force	SAE	kN	133.4 [144.8]	133.4 [144.8]	133.4 [144.8]	[]: Power Boost
		kgf	13,600 [14,770]	13,600 [14,770]	13,600 [14,770]	
		lbf	29,980 [32,550]	29,980 [32,550]	29,980 [32,550]	
	ISO	kN	152.0 [165.0]	152.0 [165.0]	152.0 [165.0]	
		kgf	15,500 [16,830]	15,500 [16,830]	15,500 [16,830]	
		lbf	34,170 [37,100]	34,170 [37,100]	34,170 [37,100]	
Arm crowd force	SAE	kN	144.2 [156.5]	119.6 [129.9]	102.0 [110.7]	[]: Power Boost
		kgf	14,700 [15,960]	12,200 [13,250]	10,400 [11,290]	
		lbf	32,410 [35,190]	26,900 [29,210]	22,930 [24,900]	
	ISO	kN	151.0 [164.0]	125.5 [136.3]	106.9 [116.1]	
		kgf	15,400 [16,720]	12,800 [13,900]	10,900 [11,830]	
		lbf	33,950 [36,860]	28,220 [30,640]	24,030 [26,090]	

Note: Boom weight includes arm cylinder, piping, and pin
Arm weight includes bucket cylinder, linkage, and pin

Dimensions & Working Range

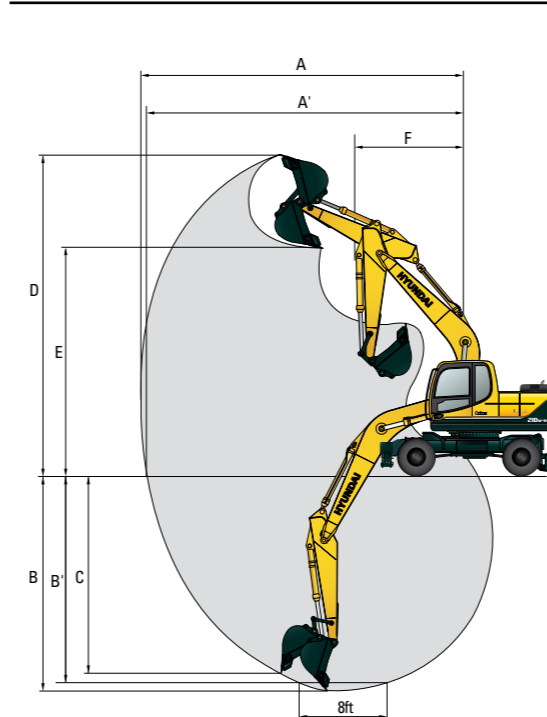
R210W-9S DIMENSIONS



	Unit : mm (ft · in)
A Wheel base	2,800 (9' 2")
B Tread	1,914 (6' 3")
C Ground clearance of counterweight	1,305 (4' 3")
D Tail swing radius	2,800 (9' 2")
D' Rear-end length	2,765 (9' 1")
E Overall width of upperstructure	2,530 (8' 4")
F Overall height of cap	3,180 (10' 5")
G Min. ground clearance	345 (1' 2")
H Overall width of lower structure	2,495 (8' 2")
I Ground clearance of blade up	445 (1' 6")
Depth of blade down	125 (0' 5")
J Height of blade	610 (2' 0")
Width of blade	2,490 (8' 2")
K Ground clearance of outrigger up	1,220 (4' 0")
L Depth of outrigger down	120 (0.5")
M Overall width of outrigger	3,770 (12' 4")

	Unit : mm (ft · in)		
Boom length	5,650 (18' 6")		
Arm length	2,000 (6' 7")	2,400 (7' 10")	2,920 (9' 7")
O Shipping length of boom	9,680 (31' 9")	9,570 (31' 5")	9,500 (31' 2")
P Shipping height of boom	3,350 (10' 12")	3,240 (10' 8")	3,150 (10' 4")
Q Traveling length of boom	9,590 (31' 6")	9,540 (31' 3")	9,380 (30' 1")
R Traveling height of boom	3,720 (12' 2")	3,650 (11' 9")	4,020 (13' 2")

R210W-9S WORKING RANGE



	Unit : mm (ft · in)		
Boom length	5,650 (18' 6")		
Arm length	2,000 (6' 7")	2,400 (7' 10")	2,920 (9' 7")
A Max. digging reach	9,110 (29' 11")	9,480 (31' 1")	9,960 (32' 8")
A' Max. digging reach on ground	8,870 (29' 1")	9,260 (30' 5")	9,750 (32' 12")
B Max. digging depth	5,480 (17' 12")	5,880 (19' 3")	6,380 (20' 11")
B' Max. digging depth (8° level)	5,240 (17' 2")	5,670 (18' 7")	6,210 (20' 4")
C Max. vertical wall digging depth	4,970 (16' 4")	5,470 (17' 11")	5,810 (19' 1")
D Max. digging height	9,500 (31' 2")	9,730 (31' 11")	10,000 (32' 10")
E Max. dumping height	6,670 (21' 11")	6,900 (22' 8")	7,160 (23' 6")
F Min. swing radius	3,700 (12' 2")	3,620 (11' 11")	3,580 (11' 9")

Lifting Capacity

R210W-9S

Rating over-front Rating over-side or 360 degree

Boom : 5.65 m (18' 6") / Arm : 2.40 m (7' 10") / Bucket : 0.80 m³ (1.05 yd³) SAE heaped / Front outrigger and rear dozer blade down

Load point height m (ft)	Load radius										At max. reach			
	1.5 m (5 ft)		3.0 m (10 ft)		4.5 m (15 ft)		6.0 m (20 ft)		7.5 m (25 ft)		Capacity		Reach	
													m (ft)	
7.5 m (25 ft)	kg											*3810	3690	7.34
	lb											*8400	8140	(24.1)
6.0 m (20 ft)	kg						*4150	*4150				*3910	2890	8.31
	lb						*9150	*9150				*8620	6370	(27.3)
4.5 m (15 ft)	kg					*5500	*5500	*4710	*4710	*4390	3350	*4050	2500	8.87
	lb					*12130	*12130	*10380	*10380	*9680	7390	*8930	5510	(29.1)
3.0 m (10 ft)	kg					*7330	*7330	*5550	4700	*4760	3230	*4230	2320	9.10
	lb					*16160	*16160	*12240	10360	*10490	7120	*9330	5110	(29.9)
1.5 m (5 ft)	kg					*8950	6970	*6390	4450	*5180	3110	*4430	2300	9.05
	lb					*19730	15370	*14090	9810	*11420	6860	*9770	5070	(29.7)
Ground	kg			*9840	*9840	*9780	6720	*6980	4290	*5480	3030	*4640	2440	8.70
Line	lb			*21690	*21690	*21560	14820	*15390	9460	*12080	6680	*10230	5380	(28.5)
-1.5 m (-5 ft)	kg	*10680	*10680	*14730	14050	*9850	6680	*7130	4230			*4830	2820	8.00
	lb	*23550	*23550	*32470	30970	*21720	14730	*15720	9330			*10650	6220	(26.2)
-3.0 m (-10 ft)	kg	*15190	*15190	*13270	*13270	*9140	6780	*6600	4300			*4870	3730	6.84
	lb	*33490	*33490	*29260	*29260	*20150	14950	*14550	9480			*10740	8220	(22.4)
-4.5 m (-15 ft)	kg			*10270	*10270	*7070								
	lb			*22640	*22640	*15590	*15590							

Boom : 5.65 m (18' 6") / Arm : 2.40 m (7' 10") / Bucket : 0.80 m³ (1.05 yd³) SAE heaped / Front outrigger and rear dozer blade up

Load point height m (ft)	Load radius										At max. reach			
	1.5 m (5 ft)		3.0 m (10 ft)		4.5 m (15 ft)		6.0 m (20 ft)		7.5 m (25 ft)		Capacity		Reach	
													m (ft)	
7.5 m (25 ft)	kg											*3810	2180	7.34
	lb											*8400	4810	(24.1)
6.0 m (20 ft)	kg							*4150	3110			3310	1630	8.31
	lb							*9150	6860			7300	3590	(27.3)
4.5 m (15 ft)	kg					*5500	4770	*4710	2930	3840	1900	2890	1350	8.87
	lb					*12130	10520	*10380	6460	8470	4190	6370	2980	(29.1)
3.0 m (10 ft)	kg					*7330	4220	5400	2690	3730	1800	2700	1220	9.10
	lb					*16160	9300	11900	5930	8220	3970	5950	2690	(29.9)
1.5 m (5 ft)	kg					8100	3780	5140	2470	3600	1690	2680	1200	9.05
	lb					17860	8330	11330	5450	7940	3730	5910	2650	(29.7)
Ground	kg			*9840	6700	7850	3570	4970	2320	3520	1610	2840	1280	8.70
Line	lb			*21690	14770	17310	7870	10960	5110	7760	3550	6260	2820	(28.5)
-1.5 m (-5 ft)	kg	*10680	*10680	*14730	6770	7800	3530	4920	2270			3270	1520	8.00
	lb	*23550	*23550	*32470	14930	17200	7780	10850	5000			7210	3350	(26.2)
-3.0 m (-10 ft)	kg	*15190	*15190	*13270	6960	7900	3620	4990	2330			4290	2080	6.84
	lb	*33490	*33490	*29260	15340	17420	7980	11000	5140			9460	4590	(22.4)
-4.5 m (-15 ft)	kg			*10270	7350	*7070	3880							
	lb			*22640	16200	*15590	8550							

- Lifting capacity is based on ISO 10567.
- Lifting capacity of the Robex Series does not exceed 75% of the tipping load with the machine on firm, level ground or 87% of full hydraulic capacity.
- The load point is a hook located on the back of the bucket.
- (*) indicates the load limited by hydraulic capacity.

Lifting Capacity

R210W-9S

Rating over-front Rating over-side or 360 degree

Boom : 5.65 m (18' 6") / Arm : 2.92 m (9' 7") / Bucket : 0.80 m³ (1.05 yd³) SAE heaped / 4 outrigger down

Load point height m (ft)	Load radius										At max. reach								
	1.5 m (5 ft)		3.0 m (10 ft)		4.5 m (15 ft)		6.0 m (20 ft)		7.5 m (25 ft)		Capacity		Reach						
													m (ft)						
9.0 m (30 ft)	kg														*3410	*3410	6.52		
	lb														*7520	*7520	(21.4)		
7.5 m (25 ft)	kg														*3470	*3470	7.96		
	lb														*7650	*7650	(26.1)		
6.0 m (20 ft)	kg																*2690	*2690	8.85
	lb																*5930	*5930	(29.0)
4.5 m (15 ft)	kg																*3980	*3980	9.37
	lb																*8770	*8770	(30.7)
3.0 m (10 ft)	kg					*10720	*10720	*6550	*6550	*5090	*5090	*4410	3970	*3890	2600	9.59			
	lb					*23630	*23630	*14440	*14440	*11220	*11220	*9720	8750	*8580	5730	(31.5)			
1.5 m (5 ft)	kg					*8900	*8900	*8350	*8350	*6020	5510	*4900	3820	*4080	2570	9.54			
	lb					*19620	*19620	*18410	*18410	*13270	12150	*10800	8420	*8990	5670	(31.3)			
Ground	kg			*10210	*10210	*9470	8490	*6730	5290	*5300	3710	*4290	2710	9.21					
Line	lb			*22510	*22510	*20880	18720	*14840	11660	*11680	8180	*9460	5970	(30.2)					
-1.5 m (-5 ft)	kg	*9470	*9470	*13480	*13480	*9820	8360	*7060	5190	*5440	3660	*4500	3060	8.56					
	lb	*20880	*20880	*29720	*29720	*21650	18430	*15560	11440	*11990	8070	*9920	6750	(28.1)					
-3.0 m (-10 ft)	kg	*12940	*12940	*14070	*14070	*9430	8410	*6830	5220			*4640	3860	7.50					
	lb	*28530	*28530	*31020	*31020	*20790	18540	*15060	11510			*10230	8510	(24.6)					
-4.5 m (-15 ft)	kg			*11670	*11670	*7990	3670												
	lb			*25730	*25730	*17610	8090												

Boom : 5.65 m (18' 6") / Arm : 2.92 m (9' 7") / Bucket : 0.80 m³ (1.05 yd³) SAE heaped / 4 outrigger up

Load point height m (ft)	Load radius										At max. reach								
	1.5 m (5 ft)		3.0 m (10 ft)		4.5 m (15 ft)		6.0 m (20 ft)		7.5 m (25 ft)		Capacity		Reach						
													m (ft)						
9.0 m (30 ft)	kg														*3410	2840	6.52		
	lb														*7520	6260	(21.4)		
7.5 m (25 ft)	kg														*3470	1870	7.96		
	lb														*7650	4120	(26.1)		
6.0 m (20 ft)	kg																*2690	2010	8.85
	lb																*5930	4430	(29.0)
4.5 m (15 ft)	kg																		9.37
	lb																		(30.7)
3.0 m (10 ft)	kg					*10720	7970	*6550	4340	*5090	2730	3740	1810	2450	1070	9.59			
	lb					*23630	17570	*14440	9570	*11220	6020	8250	3990	5400	2360	(31.5)			
1.5 m (5 ft)	kg					*8900	6830	8180	3840	5160	2470	3590	1670	2420	1040	9.54			
	lb					*19620	15060	18030	8470	11380	5450	7910	3680	5340	2290	(31.3)			
Ground	kg			*10210	6570	7830	3550	4950	2290	3480	1570	2550	1100	9.21					
Line	lb			*22510	14480	17260	7830	10910	5050	7670	3460	5620	2430	(30.2)					
-1.5 m (-5 ft)	kg	*9470	*9470	*13480	6590	7710	3450	4850	2200	3440	1530	2880	1290	8.56					
	lb	*20880	*20880	*29720	14530	17000	7610	10690	4850	7580	3370	6350	2840	(28.1)					
-3.0 m (-10 ft)	kg	*12940	*12940	*14070	6740	7760	3790	4870	2220			3630	1700	7.50					
	lb	*28530	*28530	*31020	14860	17110	7690	10740	4890			8000	3750	(24.6)					
-4.5 m (-15 ft)	kg			*11670	7050	7980	3670												
	lb			*25730	15540	17590	8090												

- Lifting capacity is based on ISO 10567.
- Lifting capacity of the Robex Series does not exceed 75% of the tipping load with the machine on firm, level ground or 87% of full hydraulic capacity.
- The load point is a hook located on the back of the bucket.
- (*) indicates the load limited by hydraulic capacity.

Lifting Capacity

R210W-9S

Rating over-front Rating over-side or 360 degree

Boom : 5.65 m (18' 6") / Arm : 2.92 m (9' 7") / Bucket : 0.80 m³ (1.05 yd³) SAE heaped / Front outrigger and rear dozer blade down

Load point height m (ft)		Load radius										At max. reach		
		1.5 m (5 ft)		3.0 m (10 ft)		4.5 m (15 ft)		6.0 m (20 ft)		7.5 m (25 ft)		Capacity	Reach	
														m (ft)
9.0 m (30 ft)	kg lb											*3410 *7520	*3410 *7520	6.52 (21.4)
7.5 m (25 ft)	kg lb											*3470 *7650	3210 7080	7.96 (26.1)
6.0 m (20 ft)	kg lb								*2690 *5930	*2690 *5930		*3580 *7890	2580 5690	8.85 (29.0)
4.5 m (15 ft)	kg lb							*4210 *9280	*4210 *9280	*3980 *8770	3380 7450	*3720 *8200	2250 4960	9.37 (30.7)
3.0 m (10 ft)	kg lb			*10720 *23630	*10720 *23630	*6550 *14440	*6550 *14440	*5090 *11220	4750 10470	*4410 *9720	3250 7170	*3890 *8580	2090 4610	9.59 (31.5)
1.5 m (5 ft)	kg lb			*8900 *19620	*8900 *19620	*8350 *18410	7040 15520	*6020 *13270	4460 9830	*4900 *10800	3100 6830	*4080 *8990	2070 4560	9.54 (31.3)
Ground	kg lb			*10210 *22510	*10210 *22510	*9470 *20880	6700 14770	*6730 *14840	4260 9390	*5300 *11680	2990 6590	*4290 *9460	2180 4810	9.21 (30.2)
-1.5 m (-5 ft)	kg lb	*9470 *20880	*9470 *20880	*13480 *29720	*13480 *29720	*9820 *21650	6590 14530	*7060 *15560	4160 9170	*5440 *11990	2950 6500	*4500 *9920	2470 5450	8.56 (28.1)
-3.0 m (-10 ft)	kg lb	*12940 *28530	*12940 *28530	*14070 *31020	14020 30910	*9430 *20790	6640 14640	*6830 *15060	4190 9240			*4640 *10230	3130 6900	7.50 (24.6)
-4.5 m (-15 ft)	kg lb			*11670 *25730	*11670 *25730	*7990 *17610	6850 15100							

Boom : 5.65 m (18' 6") / Arm : 2.92 m (9' 7") / Bucket : 0.80 m³ (1.05 yd³) SAE heaped / Front outrigger and rear dozer blade up

Load point height m (ft)		Load radius										At max. reach		
		1.5 m (5 ft)		3.0 m (10 ft)		4.5 m (15 ft)		6.0 m (20 ft)		7.5 m (25 ft)		Capacity	Reach	
														m (ft)
9.0 m (30 ft)	kg lb											*3410 *7520	2840 6260	6.52 (21.4)
7.5 m (25 ft)	kg lb											*3470 *7650	1870 4120	7.96 (26.1)
6.0 m (20 ft)	kg lb									*2690 *5930	2010 4430	2970 6550	1420 3130	8.85 (29.0)
4.5 m (15 ft)	kg lb							*4210 *9280	2990 6590	3880 8550	1930 4250	2610 5750	1190 2620	9.37 (30.7)
3.0 m (10 ft)	kg lb			*10720 *23630	7970 17570	*6550 *14440	4340 9570	*5090 *11220	2730 6020	3740 8250	1810 3990	2450 5400	1070 2360	9.59 (31.5)
1.5 m (5 ft)	kg lb			*8900 *19620	6830 15060	8180 18030	3840 8470	5160 11380	2470 5450	3590 7910	1670 3680	2420 5340	1040 2290	9.54 (31.3)
Ground	kg lb			*10210 *22510	6570 14480	7830 17260	3550 7830	4950 10910	2290 5050	3480 7670	1570 3460	2550 5620	1100 2430	9.21 (30.2)
-1.5 m (-5 ft)	kg lb	*9470 *20880	*9470 *20880	*13480 *29720	6590 14530	7710 17000	3450 7610	4850 10690	2200 4850	3440 7580	1530 3370	2880 6350	1290 2840	8.56 (28.1)
-3.0 m (-10 ft)	kg lb	*12940 *28530	*12940 *28530	*14070 *31020	6740 14860	7760 17110	3490 7690	4870 10740	2220 4890			3630 8000	1700 3750	7.50 (24.6)
-4.5 m (-15 ft)	kg lb			*11670 *25730	7050 15540	7980 17590	3670 8090							

- Lifting capacity is based on ISO 10567.
- Lifting capacity of the Robex Series does not exceed 75% of the tipping load with the machine on firm, level ground or 87% of full hydraulic capacity.
- The load point is a hook located on the back of the bucket.
- (*) indicates the load limited by hydraulic capacity.

STANDARD EQUIPMENT

- ISO Standard cabin
- All-weather steel cab with 360° visibility
- Safety glass windows
- Rise-up type windshield wiper
- Sliding fold-in front window
- Sliding side window(LH)
- Lockable door
- Hot & cool box
- Storage compartment & Ashtray
- Cabin roof-steel cover
- Radio & USB Player
- 12 volt power outlet (24V DC to 12V DC converter)
- Computer aided power optimization (New CAPO) system
- 3-power mode, 2-work mode, user mode
- Auto deceleration & one-touch deceleration system
- Auto warm-up system
- Auto overheat prevention system
- Automatic climate control
- Air conditioner & heater
- Defroster
- Self-diagnostics system
- Starting Aid (air grid heater) for cold weather
- Centralized monitoring
- LCD display
- Engine speed or Trip meter/Accel.
- Clock
- Gauges
- Fuel level gauge
- Engine coolant temperature gauge
- Hyd. oil temperature gauge
- Warnings
- Check engine
- Communication error
- Low battery
- Air cleaner clogging
- Indicators
- Max power
- Low speed/High speed
- Fuel warmer
- Auto idle
- Door and cab locks, one key
- Two outside rearview mirrors
- Fully adjustable suspension seat with seat belt
- Pilot-operated slidable joystick
- Four front working lights
- Electric horn
- Batteries (2 x 12V x 100 AH)
- Battery master switch
- Removable clean-out dust net for cooler
- Automatic swing brake
- Removable reservoir tank
- Fuel pre-filter with fuel warmer
- Boom holding system
- Arm holding system
- Accumulator for lowering work equipment
- Electric Transducer
- Tires-dual (10.00-20-14PR)
- Travel alarm
- Front outrigger and rear blade

OPTIONAL EQUIPMENT

- Fuel filler pump (35 L/min)
- Beacon lamp
- Single-acting piping kit (breaker, etc.)
- Double-acting piping kit (clamshell, etc.)
- Quick coupler
- Booms
- 5.65m, 18' 6"
- Arms
- 2.0m, 6' 7"
- 2.4m, 7' 10"
- 2.92m, 9' 7"
- Climate control
- Air conditioner only
- Heater only
- Cabin FOPS/FOG (ISO/DIS 10262 Level II)
- FOPS (Falling Object Protective Structure)
- FOG (Falling Object Guard)
- Cabin guard-Front
- Wire net
- Fine net
- Cabin lights
- Cabin front window rain guard
- Sun visor
- Undercarriage
- Front and rear outrigger
- Pre-heating system, coolant
- Tool kit
- Rearview camera
- Seat
- Mechanical suspension seat with heater
- Tires - dual (10.00 - 20 solid)
- Fenders (Mudguards)
- Hi-mate (Remote Management System)
- Air compressor
- Precleaner

- * Standard and optional equipment may vary. Contact your Hyundai dealer for more information. The machine may vary according to International standards.
- * The photos may include attachments and optional equipment that are not available in your area.
- * Materials and specifications are subject to change without advance notice.
- * All imperial measurements rounded off to the nearest pound or inch.