

NR12N3L
NR14N3L
NR14N3C

COMPACT EFFICIENCY

SPECIFICATIONS

LIGHT REACH TRUCKS 48V, 1.2 - 1.4 TONNES



SAVE TIME, MONEY AND SPACE

FOR THE NARROWEST OF AISLES, YOU NEED THE MOST COMPACT OF ALL CAT® REACH TRUCKS. THESE ECONOMICAL LIGHT AND MEDIUM DUTY MODELS, WITH LIFT HEIGHTS UP TO 7.25 METRES, OFFER GREAT MANOEUVRABILITY, EFFICIENT PERFORMANCE AND FULL CAT QUALITY.



NR14N3C shown with tapered overhead guard and rail guidance options



Drivers can operate quickly and precisely, with minimum effort, thanks to the *Palm Steering* unit and multifunctional joystick – each with adjustable floating armrests. Just 1.12 metres wide, and giving unbeatable all-round views, the trucks are ideally suited to working in tight spaces.

Drive and hydraulic functions are automatically speed-controlled, according to steering angle and lift height, for rapid but smooth and safe action. For further safety and stability, tilting masts are fitted as standard and the Mast Tilt Control (MTC) damping system can be optionally specified.



Time and money are saved by robust and wear-resistant construction, a user-friendly display with onboard diagnostics, and quick service access features. Good examples of cost-saving design include the heavy duty drive wheel, and accessibility for battery checks without leaving the truck.



All three models share the space-saving narrow chassis, but the NR14N3C also has a tapered overhead guard (optional), for drive-in racking, and can be equipped with optional rail guidance wheels. Perfect matching with application and driver needs is possible through programming and option selection.

LOWER COST OF OWNERSHIP

- Robust construction minimises damage and wear, even in demanding multi-shift operations.
- Heavy duty drive wheel is highly durable and easy to maintain, with a larger diameter, extra width and unique tread design which increase grip and stability as well as lifetime.
- User-friendly display and onboard diagnostics encourage correct use of truck and speed up maintenance.
- PIN code identification and programmability prevent unauthorised use and allow matching of truck performance settings to driver experience and application.
- Easy battery access enables driver to make quick checks without leaving the truck.
- Fast service access to systems and components reduces downtime.

UNMATCHED PRODUCTIVITY

- Automatic drive speed reduction makes smooth adjustments according to steering angle and fork height to maintain stability, safety and confidence when cornering or carrying raised loads.
- Automatic hydraulic motion control optimises lift, lower, reach, tilt and side shift speeds according to lift height and keeps all movements smooth, quiet and precise. (Standard on NR14N3C, optional on others.)
- Mast Tilt Control (MTC) damping system reduces oscillations by up to 80%, allowing faster and more stable load handling.
- Tilting mast reduces aisle width necessary and enhances safety of handling.
- 360-degree steering option enables fluid turning without stopping to change direction.
- Fast travel and lift speeds come as standard.
- Small chassis (1.12 m wide) is ideal for working in tight spaces.
- Drive-in racking adaptations on NR14N3C include the options of tapered overhead guard and extra wheels for rail guidance.



Fingertip control option.



Rail guidance option.



Interior with midi steering wheel option shown.

SAFETY AND ERGONOMICS

- *Palm Steering* on adjustable floating armrest offers relaxed driving position and operation with minimal movement, effort or strain – ideal if driver is seated for long periods.
- Multifunctional joystick with adjustable armrest fits hand perfectly, positions all hydraulic controls optimally, minimises effort and enables precise individual and simultaneous actions.
- Optional fingertip hydraulic controls with adjustable armrest ensure ergonomically perfect hand positioning, anatomical support and free movement.
- Spacious driver's compartment with high roof safely and comfortably accommodates users of all sizes.
- Excellent all-round view is enabled by design of mast, fork carriage, overhead bars, pillars and chassis, and by use of dark, non-reflective paint.
- Intuitive display keeps drivers fully informed and is optimally positioned and angled for clear viewing.
- Direction control is switched using accelerator pedal, leaving right hand free to concentrate on hydraulic functions.
- Automotive pedal layout is intuitive to car drivers, while 'dead man' safety switch is effortlessly activated by the weight of the left foot.
- Smooth entry and exit are aided by ergonomic grab handles and low intermediate step with non-slip surface.
- Standard safety features include operator presence switch, mast lock system and automatic parking brake.

STANDARD EQUIPMENT AND OPTIONS

	NR12N3L	NR14N3L	NR14N3C
GENERAL			
Automatic electric parking brake	●	●	●
Steering wheel angle indicator	●	●	●
Battery indicator with cut-out at 20% remaining battery level	●	●	●
ATC 3 truck computer with display and keyboard	●	●	●
Integrated side shift DTFV mast	●	●	●
Rail guidance for drive-in racking	–	–	○
Chill store design, down to +1° C	●	●	●
Paper storage and cup holder	●	●	●
Battery reach-out	●	●	●
Battery on rollers	○	○	○
Other RAL colour	○	○	○
POWER SOURCE			
Lead-acid battery	○	○	○
Battery cover plate	○	○	○
MAST, FORKS AND CARRIAGE			
Tilting mast	●	●	●
Fork tilt	–	–	○
Integral fork positioner/side shift DTFV mast	○	○	○
Load backrest	○	○	○
Load backrest in combination with fork positioner/side shift	○	○	○
Mast Tilt Control (MTC) damping system on tilting masts	●	●	●
Lift stop with/without restart	○	○	○
Lift height indicator (std with load-weight-adjusted control option)	○	○	○
Level selector	–	–	○
Level assistance system, LAS	–	–	○
Load weight indicator (std with load-weight-adjusted control option)	○	○	○
Horizontal forks	–	–	○
Central position of side shift	–	–	○
Automatic hydraulic motion control	○	○	●

● Standard ○ Option

STANDARD EQUIPMENT AND OPTIONS

	NR12N3L	NR14N3L	NR14N3C
DRIVE AND LIFT CONTROLS			
Electric-powered <i>Palm Steering</i> unit on floating armrest	●	●	●
180-degree steering	●	●	●
360-degree steering	○	○	○
Active Spin Reduction	○	○	○
Automatic drive speed reduction	●	●	●
Hands-free direction control, HFDC, via accelerator pedal	●	●	●
Hand-operated direction control	○	○	○
Multifunctional joystick	●	●	●
Fingertip hydraulic control	○	○	○
Midi steering wheel	○	○	○
Key switch entry	○	○	○
Creep speed at preset level 500 mm	–	–	○
Creep speed at other levels	–	–	○
Impact sensors with display warning and horn	–	–	○
Impact sensors with display warning, horn and warning light on overhead guard	–	–	○
Load-weight-adjusted functioning of automatic drive speed and hydraulic motion controls	○	○	○
ELECTRIC			
Blue/red point safety light, towards driving direction	○	○	○
Automatic logoff	○	○	○
Working lights LED	○	○	○
Working lights LED for cabin	○	○	○
Warning light on the roof	○	○	○
Warning light for heated cabin	○	○	○
12V connector	○	○	○
Converter 48 - 12 V	○	○	○
Radio with MP3	○	○	○
Service alarm	○	○	○

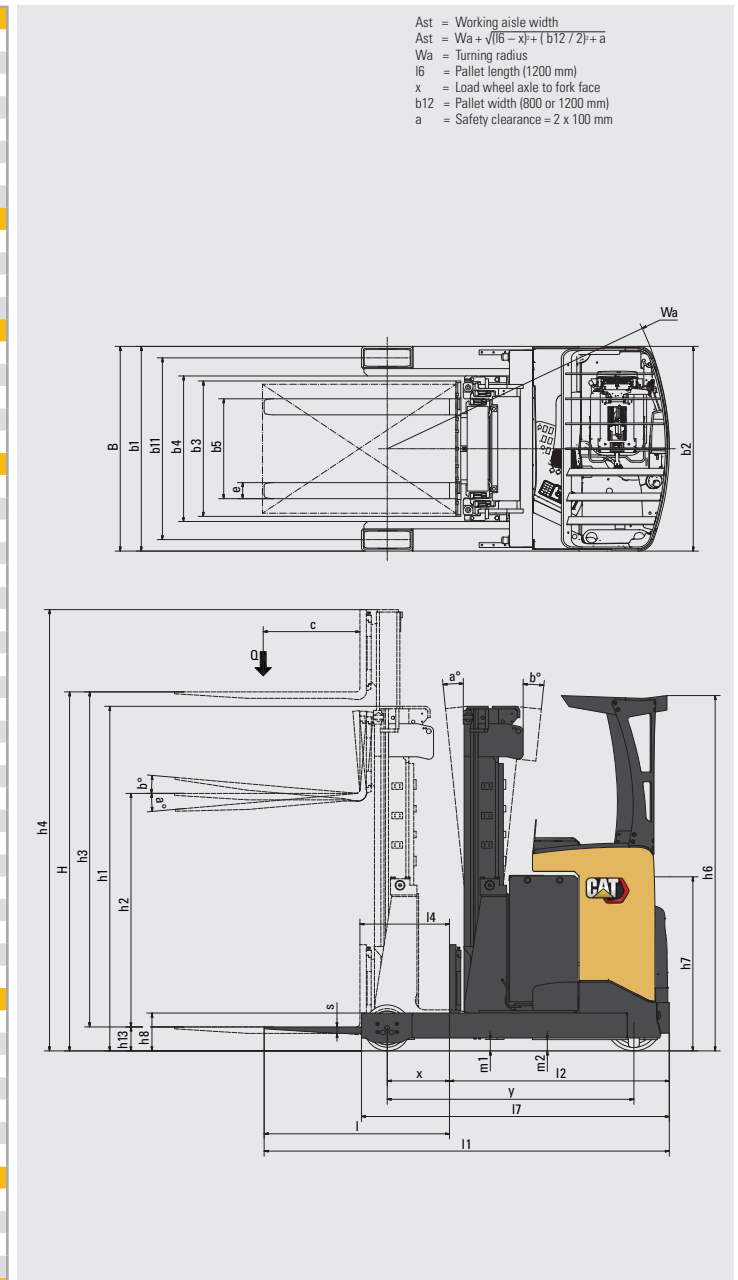
	NR12N3L	NR14N3L	NR14N3C
OHG AND CABIN			
Heated cabin	○	○	○
Window opening in cabin door	○	○	○
2-way intercom for cold store cabin	○	○	○
Tapered overhead guard	–	–	○
Mesh metal on overhead guard	○	○	○
Heated seat – fabric	○	○	○
Heated seat – PVC	○	○	○
Rear view mirror	○	○	○
Writing desk	○	○	○
Equipment holder, RAM system size C	○	○	○
Equipment holder, RAM system size C, 2 pcs	○	○	○
Equipment holder, RAM system size D	○	○	○
WHEEL OPTIONS			
Vulkollan® traction wheel 93 Shore	●	●	●
Tractothan® traction wheel 93 Shore	○	○	○
Load wheel Ø 220 mm	●	●	●
ENVIRONMENT			
Cold store design, 0°C to -35°C*	○	○	○



Heated cabin with tapered overhead guard option.

● Standard ○ Option

Characteristics				Cat Lift Trucks	Cat Lift Trucks	Cat Lift Trucks
				NR12N3L	NR14N3L	NR14N3C
1.1	Manufacturer					
1.2	Manufacturer's model designation					
1.3	Power source			Battery	Battery	Battery
1.4	Operator type			Sit-on	Sit-on	Sit-on
1.5	Load capacity	Q	(kg)	1200	1400	1400
1.6	Load centre distance	c	(mm)	600	600	600
1.8	Load wheel axle to fork face (forks lowered)	x	(mm)	See table	See table	See table
1.9	Wheelbase	y	(mm)	1378	1378	1378
Weight						
2.1b	Truck weight without load, with maximum battery weight		kg	2510 ¹⁰⁾	2710 ¹⁰⁾	3410
2.3	Axle loadings with nominal load & maximum battery weight, drive / load side		kg	1656 / 854 ¹⁰⁾	1656 / 854 ¹⁰⁾	1780 / 1230
2.4	Axle loading, mast forward, with nominal load, drive / load side		kg	669 / 3041 ¹⁰⁾	560 / 3350 ¹⁰⁾	570 / 3840
2.5	Axle loading, mast retracted, with nominal load, drive / load side		kg	1395 / 2315 ¹⁰⁾	1351 / 2559 ¹⁰⁾	1450 / 2960
Wheels, Drive Train						
3.1	Tyres: PT = Power Thane, Vul = Vulkollan, P = Polyurethane, N = Nylon, R = Rubber drive / load side			Vul	Vul	Vul
3.2	Tyre dimensions, drive side	∅	(mm)	355 x 155	355 x 155	355 x 155
3.3	Tyre dimensions, load side	∅	(mm)	220 x 85	220 x 85	220 x 85
3.5	Number of wheels, load / drive side (x = driven)			2 / 1 x	2 / 1 x	2 / 1 x
3.7	Track width (centre of tyres), load side	b11	(mm)	995	995	995
Dimensions						
4.1	Fork tilt, forwards / backwards	∂/β	°	1 / 4 ¹¹⁾	1 / 4 ¹¹⁾	1 / 4
4.2a	Height with mast lowered	h1	(mm)	See table	See table	See table
4.3	Free lift	h2	(mm)	See table	See table	See table
4.4	Lift height	h3	(mm)	See table	See table	See table
4.5	Height with mast extended	h4	(mm)	See table	See table	See table
4.7	Height to top of overhead guard	h6	(mm)	2205	2205	2205
4.8	Seat or stand height	h7	(mm)	1.146 ¹¹⁾	1.146 ¹¹⁾	1.146 ¹¹⁾
4.10	Height of support legs	h8	(mm)	235	235	235
4.15	Fork height, fully lowered	h13	(mm)	65	65	65
4.19	Overall length	l1	(mm)	See table	See table	See table
4.20	Length to fork face	l2	(mm)	See table	See table	See table
4.21	Overall width	b1/b2	(mm)	1120	1120	1120
4.22	Fork dimensions (thickness, width, length)	s / e / l	(mm)	40 / 100 / 1150	40 / 100 / 1150	40 / 100 / 1150
4.23	Fork carriage to DIN			FEM 2A	FEM 2A	FEM 2A
4.24	Fork carriage width	b3	(mm)	910	910	830
4.25	Outside width over forks (minimum / maximum)	b5	(mm)	316 / 697	316 / 697	316 / 697
4.26	Inner width of support legs	b4	(mm)	900	900	900
4.28	Mast reach	l4	(mm)	See table	See table	See table
4.32	Ground clearance at centre of wheelbase, (forks lowered)	m2	(mm)	70	70	70
4.33a	Working aisle width (Ast) with 1000 x 1200 mm pallets, load crosswise	Ast	(mm)	See table	See table	See table
4.34a	Working aisle width (Ast) with 800 x 1200 mm pallets, load lengthwise	Ast	(mm)	See table	See table	See table
4.35	Turning radius	Wa	(mm)	See table	See table	See table
4.37	Truck length including support legs	l7	(mm)	1725	1725	1725
Performance						
5.1	Travel speed, with /without load		km / h	12.3 / 12.5	12.3 / 12.5	12.3 / 12.5
5.2	Lifting speed, with /without load		m / s	0.46 / 0.54 ¹⁰⁾	0.37 / 0.54 ¹⁰⁾	0.32 / 0.49
5.3	Lowering speed, with /without load		m / s	0.58 / 0.60 ¹⁰⁾	0.58 / 0.60 ¹⁰⁾	0.57 / 0.48
5.5	Rated drawbar pull, with /without load		N	0.2 / 0.2	0.2 / 0.2	0.2 / 0.2
5.8	Maximum gradeability with /without load		%	13.1 / 19.6	13.1 / 19.6	13.1 / 19.6
5.9	Acceleration time (10 metres) with /without load		s	4.9 / 4.4	4.9 / 4.4	4.9 / 4.4
5.10	Service brakes (mechanical /hydraulic /electric /pneumatic)			Electric	Electric	Electric
Electric motors						
6.1	Drive motor capacity (60 min. short duty)		kW	5.9	5.9	5.9
6.2	Lift motor output at 15% duty factor		kW	11	11	11
6.4	Battery voltage/capacity at 5-hour discharge		V / Ah	48 - 300 ¹¹⁾ / 465	48 - 465 / 620	48 - 465 / 620 / 775
6.5	Battery weight		kg	533 / 708	708 / 890	708 / 890 / 1063
Miscellaneous						
8.1	Type of drive control			Stepless	Stepless	Stepless
10.1	Maximum operating pressure for attachments		bar	150	150	150
10.2	Oil flow for attachments		l / min	25	25	25
10.7	Level of noise at the ear level of the driver according to EN 12 053:2001 and EN ISO 4871 in work LpAZ		dB (A)	57.4	57.4	57.4



1) Measured with standard seat to SIP point
 10) T mast
 11) DTFV mast

NR12N3L - NR14N3L				
Mast Type	h3 + h13	h1	h2 + h13	h4
	mm	mm	mm	mm
T	3200	2185	175	3740
	3600	2385	175	4140
	3800	2485	175	4340
	4200	2685	175	4740
	4500	2835	175	5040
	4800	2985	175	5340

Mast Performance and Capacity

- T Triplex mast
- h1 Lowered mast height
- h2 + h13 Free lift
- h3 + h13 Lift height
- h4 Raised mast height
- Q Lifting capacity, rated load
- c Load centre (distance)

Model	Battery Capacity	Battery Weight	4.33a Ast	4.34a Ast	4.28 L4	4.20 L2	4.19 L1	1.8 x	4.35 Wa
	Ah	kg	mm	mm	mm	mm	mm	mm	mm
NR12N3L	300	533	2643	2688	557	1193	2343	405	1598
	465	708	2694 ¹⁾	2751 ²⁾	487 ⁵⁾	1263	2413	335 ⁵⁾	1598
NR14N3L	465	708	2694 ¹⁾	2751 ²⁾	487 ⁵⁾	1263	2413	335 ⁵⁾	1598
	620	890	2762 ³⁾	2833 ⁴⁾	397 ⁶⁾	1353	2503	245 ⁵⁾	1598
NR14N3C	465	708	2716	2771	457	1293	2443	305	1598
	620	890	2786	2861	367	1383	2533	215	1598
	775	1063	2859	2945	227	1473	2623	125	1598

- 1) T mast +7mm
- 2) T mast +17mm
- 3) T mast +9mm
- 4) T mast +18mm
- 5) T mast -28mm
- 6) T mast - 8mm

NR12N3L - NR14N3L				
Mast Type	h3 + h13	h1	h2 + h13	h4
	mm	mm	mm	mm
DTFV	4800	2155	1615	5340
	5400	2355	1815	5940
	5700	2455	1915	6240
	6300	2655	2115	6840
	6750	2805	2265	7290
	7250*	2972	2432	7790

*Only NR14N3L

NR14N3C				
Mast Type	h3 + h13	h1	h2 + h13	h4
	mm	mm	mm	mm
DTFV	4800	2155	1615	5340
	5400	2355	1815	5940
	5700	2455	1915	6240
	6300	2655	2115	6840
	6750	2805	2265	7290
	7250	2972	2432	7790
	7950	3205	2665	8490
	8450	3372	2832	8990
	8950	3538	2998	9490



NR14N3C shown with tapered overhead guard and rail guidance options.

info@catlifttruck.com | www.catlifttruck.com

WESC2123(03/22) © 2022 MLE B.V. (registration no. 33274459). All rights reserved. CAT, CATERPILLAR, LET'S DO THE WORK, their respective logos, "Caterpillar Corporate Yellow", the "Power Edge" and Cat "Modern Hex" trade dress as well as corporate and product identity used herein, are trademarks of Caterpillar and may not be used without permission.

NOTE: Performance specifications may vary depending on standard manufacturing tolerances, vehicle condition, types of tyres, floor or surface conditions, applications, or operating environment. Trucks may be shown with non-standard options. Specific performance requirements and locally available configurations should be discussed with your Cat lift trucks Dealer. Cat Lift Trucks follows a policy of continual product improvement. For this reason, some materials, options and specifications could change without notice.



DOWNLOAD
BROCHURE



WATCH
VIDEOS



DOWNLOAD
OUR APP

