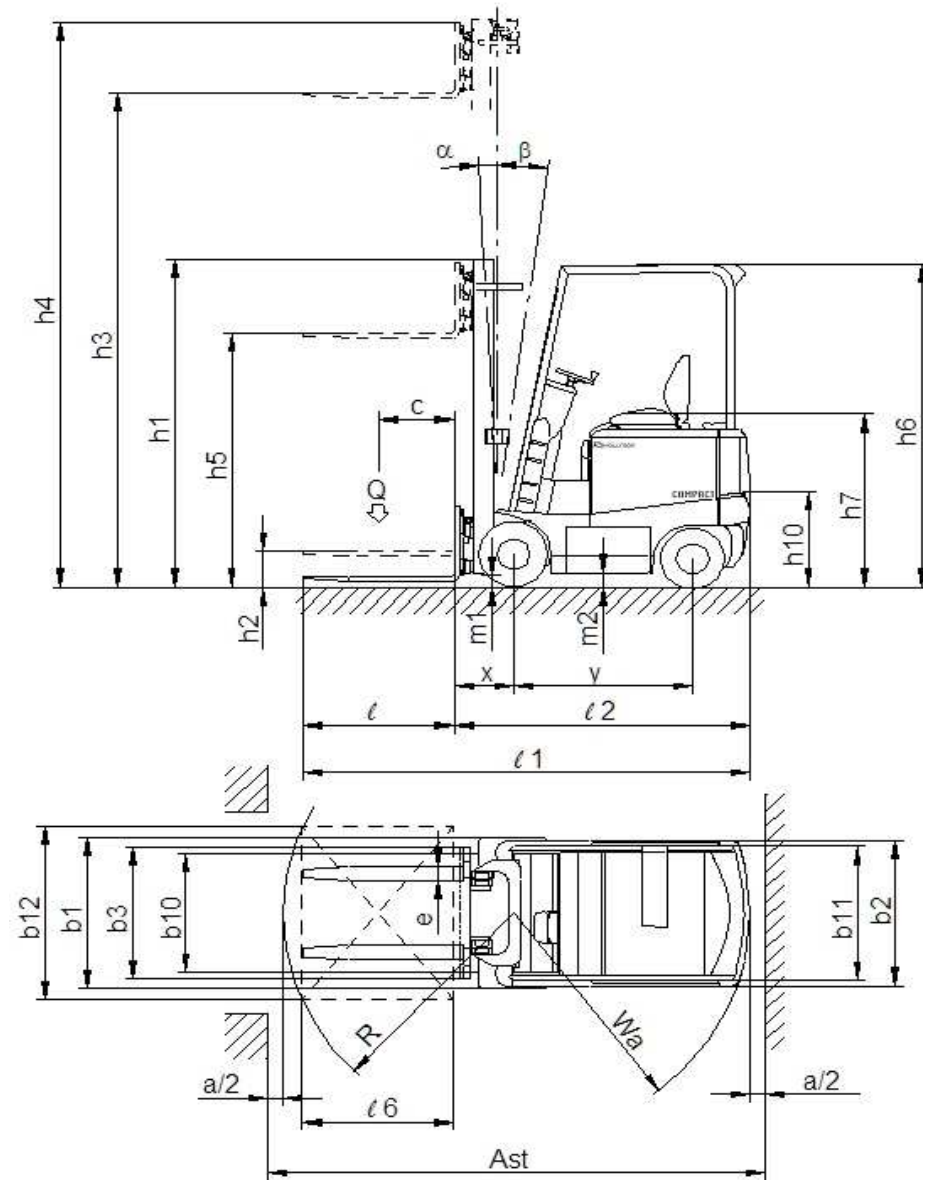


Characteristics	1.1	Manufacturer		MONTINI	
	1.2	Model		MR ZINC 2.0 COMPACT	
	1.3	Power unit (electric, diesel, petrol, L.P.Gas, electric mains)		electric	
	1.4	Drive type (hand-control, pedestrian, stand-on, sit-on, commissioner)		sit-on	
	1.5	Capacity/Load	Q (t)	2	
	1.6	Load centre	c (mm)	500	
	1.8	Load distance	x (mm)	391	
	1.9	Wheelbase	y (mm)	1180	
	Weights	2.1	Weight	Kg	3700
2.2		Load on front/rear axle: with load	Kg	4935/765	
2.2		Load on front/rear axle: without load	Kg	1430/2270	
Equipment	3.1	Tyre type: superelastic (SE), cushion (C), pneumatic (PN)		SE/C/PN	
	3.2	Front tyre size		200/50-10	1
	3.3	Rear tyre size		16x6-8	2
	3.5	Number of front/rear wheels (x=driven)		2x2	
	3.6	Front track width	b10 (mm)	854	3
	3.7	Rear track width	b11 (mm)	838.5	4
Basic dimensions	4.1	Maximum tilt of mast/fork carriage forward/backward (a+b)	degrees	3°/8°	
	4.2	Overall height with nested mast	h1 (mm)	2165	
	4.3	Free lift	h2 (mm)	-	
	4.4	Lift height	h3 (mm)	3300	
	4.5	Overall height with extended mast	h4 (mm)	3850	
	4.7	Overhead guard height	h6 (mm)	2239	
	4.8	Seat height	h7 (mm)	1160	
	4.12	Tow hitch height	h10 (mm)	555	
	4.19	Overall length	l1 (mm)	2945	
	4.20	Length including thickness of vertical component of forks	l2 (mm)	1945	
	4.21	Overall width	b1/b2 (mm)	1050/1010	5
	4.22	Fork size	s/e/l (mm)	35/130/1000	
	4.23	Fork carriage (ISO 2330, class/type, A, B)		ISO 2A	
	4.24	Minimum fork carriage width	b3 (mm)	910	
	4.31	Ground clearance below mast (laden)	m1 (mm)	85	
	4.32	Ground clearance at centre wheelbase (laden)	m2 (mm)	100	
4.33	Aisle width for stacking pallets 1000x1200 (l6xb12), stacking side 1200	Ast (mm)	3149	6	
4.34	Aisle width for stacking pallets 800x1200 (b12xl6), stacking side 800	Ast (mm)	3349	6	
4.35	Turning radius	Wa (mm)	1558		
4.36	Distance from turning centre and truck centre axis	b13 (mm)	0		
Performances data	5.1	Travel speed laden/unladen	Km/h	15	
	5.2	Lifting speed laden/unladen	m/s	0.30/0.45	
	5.3	Lowering speed laden/unladen	m/s	0.52/0.50	
	5.5	Tractive effort laden/unladen	daN	3790/4090	
	5.6	Max. tractive effort laden/unladen	daN	10000/10230	
	5.7	Gradeability laden/unladen	%	9.2/17.2	
	5.8	Max. gradeability laden/unladen	%	24.5/36.8	
	5.9	Acceleration time laden/unladen	s	5.8/4.9	
	5.10	Service brake		hydraulic/electric	
	Electric motor	6.1	Rated traction motor power, S2 60' service	Kw	2x3.8
6.2		Rated lift motor power, S3 15 % service	Kw	11	
6.3		Battery DIN 43531/35/36 A, B, C		-	
6.4		Rated voltage/capacity 5h	V/Ah	48/630-1000	7
6.5		Minimum/maximum battery weight	Kg	1360/1460	
6.6		Power consumption according to VDI cycle	KWh/h	-	
Miscellanea	8.1	Type of electronic control		inverter	
	8.2	Available working pressure for attachments	bar	150	
	8.3	Oil flow for attachments	l/min	-	
	8.4	Sound pressure at operator ear	db (A)	< 80 db (A)	
	8.5	Hitch model/type		-	



MONTINI ITALIA 13/06/2017

- 1) Optional cushion tyres 457x178-308
- 2) Optional cushion tyres 394x152-254
- 3) With cushion tyres 872
- 4) With cushion tyres 842.5
- 5) With cushion tyres 1050/1010
- 6) Ast = Wa + x + l6 + a (a = 200 mm.)
- 7) Other battery capacities on request

The specifications contained in this document are for indication only. The manufacturer reserves the right to change these specifications for any reason.

All products manufactured by Montini comply with Machine Directive 2006/42/EC and Directives 2006/95/EC - 2004/108/EC