

Technical data

Mounty 100 V Stage 3A

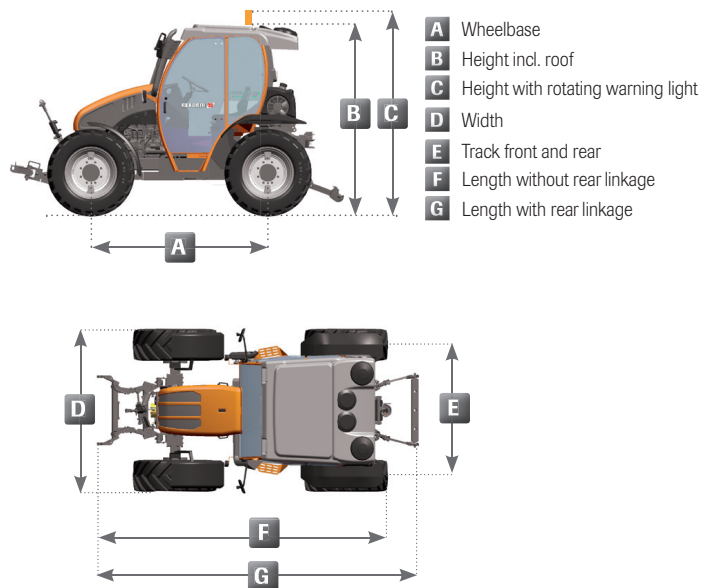


Mounty 100 V Stage 3B



Engine (Stage 3A)	4 cylinder 4 stroke diesel engine, VM-R754 IE 3 with turbocharger, intercooling and direct injection, 74 kW (101 hp), displacement 2,970 cm ³ , water cooled. Torque 340 Nm at 1,600 rpm. Emission standard 3A .		
Engine (Stage 3B)	4 cylinder 4 stroke diesel engine, VM-R754 EU5 with turbocharger; intercooling and direct injection, 72 kW (98 hp), displacement 2,970 cm ³ , water cooled. Exhaust gas recirculation and diesel particle filter ; torque 340 Nm at 1,400 rpm. Emission standard 3B .		
Gearbox	Hydrostatic travel drive with electronic control, with variable pump and variable motor; 3 speed ranges, electro hydraulically switchable: with tyres 425/55 R17 / 405/70 R20 Range 1: 0 – 8 / 0 – 10 kph Range 2: 0 – 15 / 0 – 19 kph Range 3: 0 – 30 / 0 – 37 kph Hydrostatic control selectable between automotive or manual , electro-hydraulically switchable. Power limit control – constant pre-set engine speed by electro hydraulic speed control, inching pedal, F/R shuttle operation.		
Clutch	Multi disk clutch for front and rear PTO drive, electro hydraulically switchable with automatic soft start.		
Axles	Driving/steering axles with final drive at front and rear, front axle oscillating (+/-10°).		
Axle drive	Four wheel drive, front wheel drive preselectable connect and disconnect.		
Differential locks	Preselectable, electro hydraulically operated differential locks front and rear, with gear status indicator lights on dashboard.		
Steering system	Hydrostatic steering with Load Sensing; electro hydraulic steering switch during driving, pre-selectable with options for 4 wheel, front, rear, and continuously adjustable crab steering; automatic synchronisation of wheel position.		
Service brake	Hydraulic dual circuit 4 wheel multiple disk brake, in oil bath; Hillholder .		
Parking brake	Spring loaded parking brake acting on rear axle, electro hydraulic release.		
Engine hydraulics	Hydraulic pump 32.5 l/min, 195 bar, oil tank 34 l, standard equipment var. B11 : 1 control valve d.a.f. for rear linkage; 1 control valve s.a. for front linkage, 2 control valves (d.a.f. and d.a.) with parallel lines front and rear, 1 tank return line each for front and rear, actuation by multi-function control lever. Option: Var. C11: 1 additional control valve d.a.f. with parallel lines front and rear.		
Front linkage	Axle guided, with electro hydraulic weight compensation and vibration damping , quick release system using seating locators, cat. 2, electric external control, lifting force 1.800 kg. Option: Integrated hydraulic side shift with 450 mm adjustment range (+/-225 mm).		
Rear linkage	Lower link with hook end, cat. 2, electrical external control, adjustable lowering speed control, lift/pressure design vibration damping , Lifting force 2,500 kg. Option: Drawbar (in Switzerland only s.a. rear linkage)		
Front PTO	Power shift PTO 1,000 rpm, counter clockwise, electro hydraulically switchable with automatic soft start, (rotational direction looking at PTO shaft end).		
Rear PTO	Power shift PTO 540 and 750 rpm, switchable, clockwise, electro hydraulically switchable with automatic soft start, (rotational direction looking at PTO shaft end).		
Cab	Vibration damped deluxe cab with heating and air conditioning , tool-less steering wheel adjustment, panoramic windscreen, full glass doors and hinged rear window, tinted windows, upright exhaust pipe and air intake, comfort seats in various versions, noise absorbing interior trim, cab illumination, sun shade, storage compartment, coat hook, bottle holder, radio preparation in cab roof incl. 2 speakers and aerial, wiper, windscreen washer, tool box. Option: heated windscreen and/or rearview mirror.		
Gauges	Tachometer with integrated operating hours meter, fuel gauge, coolant temperature display, speedometer, cigarette lighter; Indicator light with symbols for differential locks, four wheel drive, hand brake, steering modes, fuel gauge, straight wheel alignment; clock, PTO speed front/rear.		
Electric system	Battery 12V, 100 Ah, alternator 140 A, full road lighting, 2 roof lights front and 1 working light rear.		
Fuel tank	Polyethylene tank, capacity 110 l.		
Seat design	Longitudinally and height adjustable comfort seats with arm rest, pelvic support and tilt adjustable backrest in 3 designs: Comfort seat with cloth cover (standard) or leatherette cover, air cushioned seat with cloth cover and high backrest; Option: High backrest for comfort seat, cloth seat cover, seat belt, electr. swivel feature		
Tyre options	425/55 R17 AG tyres (standard) 440/50 R17 All Ground <i>Auxiliary wheels 7.50-18 AG</i>	405/70 R20 AG tyres 420/65 R20 AG tyres <i>Auxiliary wheels 9.5-24 AG</i>	275/80 R20 AG tyres narrow track 12.5 R20 MPT 80 municipal tyres 560 /45-22.5 turf tyres
Accessories	Mechanical or automatic trailer hitches (fixed or height adjustable, towing load up to 10,000 kg). hydr. trailer brake, air pressure brake system, Front mounting frame, hydr. top link, stereo radio with CD or MC, rotating warning light, add. working light front or rear. Cleanfix reversing fan , rear wiper, heated windscreen or mirror, custom paint, snow chains; other options on request.		
Attachments	Front end loader with single lever operation, flail mower and extension arm boom flail mower, sickle mower with grass container, snow plough, snow blower, road brush, trailer up to 10 t, rotary disc mower, side delivery belt rake, swather, seed drill; further attachments on request.		
Weights	Dead weight (with standard equipment): 3,625 kg Perm. axle load front and rear: 3,800 kg Perm. gross weight: 6,000 kg		
Turning radius	3.40 m (with 4 wheel steering)		

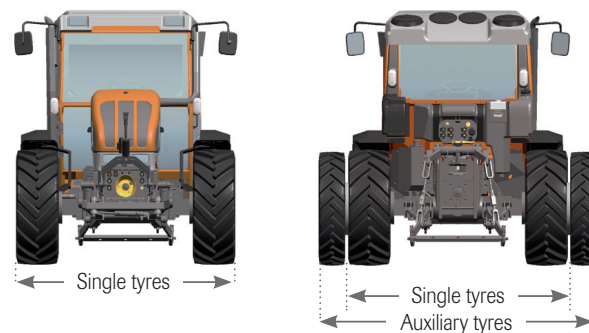
Dimensions Moutny 100 V



Dimensions in mm depending on tyres

	425/55 R17 440/50 R17	405/70 R20	420/65 R20	275/80 R20	12.5/R20	560/45-22.5
A	2225	2225	2225	2225	2225	2225
B	2260	2350	2335	2310	2335	2350
C	2435	2525	2510	2485	2510	2525
D	2130	2085	2085	1850	1950	2415
E	1700	1680	1680	1475	1610	1805
F	3740	3830	3815	3790	3815	3830
G	4275	4275	4275	4275	4275	4275

Outer wheel widths Moutny 100 V



Wheel outer width (mm)

Moutny 100 V

425/55 R17 AG tyres

2130

425/55-R17 with 7.50-18

2560

440/50 R17 All Ground

2130

440/50-R17 with 7.50-18

2560

405/70 R20 AG tyres

2085

405/70 R20 with 9.5 -24

2650

420/65 R20 AG tyres

2085

420/65 R20 with 9.5 -24

2650

275/80 R20 AG tyres narrow track

1750 tyres /
1850 axle

12.5 R20 MPT 80 municipal tyres

1950

560 /45-22.5 turf tyres

2415