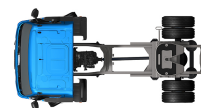


Specification sheet

LF 230

FT 4X2 Tractor, 13t



ENGINES

LF 230 PX-7 (172 kW / 234 hp)

LF 260 PX-7 (194 kW / 264 hp)

LF 290 PX-7 (217 kW / 295 hp)

GVM¹⁾

13000 kg

Max. front 4500 kg

Max. rear 9400 kg

GCM²⁾

21000 kg

016G4602AAAA - 202041P - 18-06-2020

DAF Trucks Ltd, UK, Haddenham, HP17 8LJ, www.daf.co.uk

CAB EXTERIOR

Day Cab with steel bumper, tinted glass and electric window openers. Main mirrors and wide angle mirrors electrically heated. Cab width 2130 mm.; Electrically adjustable mirrors; Mirror brackets, body 2.50-2.60 m; Front view mirror.

Optional

02576 Extended Day Cab	07343 Kerb view window co-driver door
02106 Sleeper Cab	
09983 Fog lights	09282 Mirror brackets, body 2.30-2.40 m
09984 Fog lights and cornering lights	09283 Mirror brackets, body 2.40-2.50 m

AERODYNAMICS

Optional

09287 Side collars prepared	07112 Side collars long (set)
04906 Side collars	07093 Side collars short (set)

COLOURS

; Head lamp panel and bumper: Stone Grey; Chassis colour grey..

Optional

06485 Head lamp panel and bumper: cab colour	16153 Cab and chassis colours
-----------------------------------------------------	--------------------------------------

CAB INTERIOR

Right-hand drive (RHD); Mechanically adjustable steering column; Driver seat: air suspended; Co-driver seat: fixed velour; Storage box on engine tunnel; No air conditioning.

Optional

01846 Left-hand drive (LHD)	03703 Auxiliary cab heater Air Top 2000
09271 Steering wheel, leather, colour black	04246 Roof hatch, manual control
03516 Pneumatically adjustable steering column	04258 Roof hatch, electric control
04346 Lower bunk, normal level	

COMMUNICATION AND DRIVING MANAGEMENT

FMS connector prepared; Tachograph digital, Stoneridge 1C.

Optional

16155 Audio equipment, makes and types	07261 TruckPhone
-----------------------------------------------	-------------------------

SAFETY AND SECURITY

Vehicle Stability Control (VSC); Basic engine immobiliser system.

Optional

08631 Air bag (driver) and 2 seat belt tensioners	16156 EC-ADR packages
01725 Reverse warning	

SUSPENSION AND AXLES

Front axle type F60. Parabolic leaf suspension with shock absorbers and stabiliser. Max. load 4.5 tonnes.; Single reduction driven rear axle type SR10.26 with adjustable electronically controlled 2-bellow air suspension, including shock absorbers and stabiliser. Max.load 9.8 tonnes..

WHEELS AND TYRES

Front axle 1: 265/70R19.5; Rear axle 1: 265/70R19.5; Wheel protection rings silvergrey.

Optional

16152 Tyre makes and types

DRIVELINE

Engine PX-7, 6 cylinder diesel engine, 6.7 litres. Output 172 kW (234 hp) at 2300 rpm. Max. torque 900 Nm at 1000-1700 rpm.; Exhaust emission Euro 6; Manual gearbox, 6 speeds; Gearbox ratio 6.75-0.78; Rear axle ratio 4.56.

Optional

04393 Manual gearbox, 9 speeds	02313 Gearbox direct drive
08834 AS Tronic gearbox, 6 speeds	

BRAKE SYSTEM

Exhaust brake.

CHASSIS

Wheelbase 3.13 m / rear overhang 0.83 m; Side member height 270 mm; EAS unit right, discharge right; Plastic fuel tank 170 l; Catwalk with step, extra long; Spray suppression; Front underrun protection (FUP); Tank for AdBlue® 25 l, right-hand side chassis.

Optional

03323 Rear light with LEDs

DRAWBAR AND TRAILER EQUIPMENT

Pneumatic trailer connection C-type; Electric connection 24 V / 2x7 pins.

Optional

06584 Pneumatic trailer connection palm type

POWER TAKE-OFF (PTO)

Optional

16148 PTO types and positions

ELECTRICAL POWER SUPPLY

Alternator 80 A, batteries 2x 125 Ah..

Optional

01897 Alternator 100 A	08797 Batteries 2x175Ah
-------------------------------	--------------------------------

GVM AND GCM

Chassis weight related technical GVM max 13000 kg; Driveline related max GCM 21000 kg.

Optional

00738 Driveline related max GCM 24000 kg	00620 Driveline related max GCM 28000 kg
02658 Driveline related max GCM 26000 kg	

APPLICATION CONDITIONS

Moisture separator, unheated; Air intake low.

Optional

02270 Cold climate	09960 Air intake on the cab roof
04767 Moisture separator, heated	04987 Radiator flyscreen
04482 Air intake high behind cab	

SERVICE AND MAINTENANCE

Standard Warranty takes care of 1 year complete vehicle, 2nd year driveline and 1st year breakdown.; ITS service.

VEHICLE DELIVERY

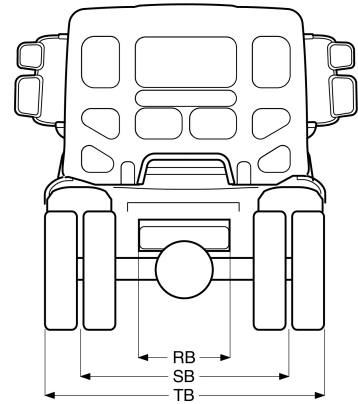
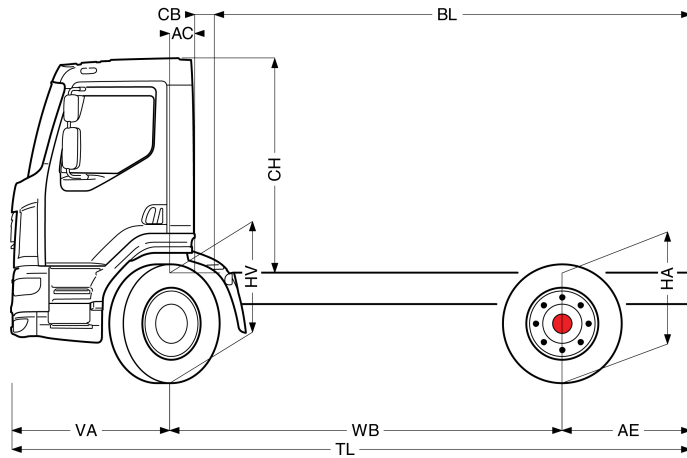
Standard toolkit.



Go to [DAF.com](https://www.daf.com) to configure your own perfect DAF.

LF 230

FT 4X2 Tractor, 13t



	Wheelbase - AE		Unladen weight ⁹⁾			Gross Carrying Capacity			Variable dimensions								
	WB	AE ⁵⁾	Front	Rear	Total	Front	Rear	Total	AC	CE	CH ⁶⁾	KA ⁷⁾	TL	HA ⁸⁾	HA ⁹⁾	TK ¹⁰⁾	TW ¹¹⁾
DAY CAB	3.13	0.83	3094	1487	4581	1406	7913	8419	0.28	3.68	1.88	0.00	5.29	0.93	0.91	11.06	12.26
	3.50	0.83	3131	1497	4629	1369	7903	8371	0.28	4.05	1.88	0.00	5.66	0.93	0.91	11.97	13.19
SLEEPER CAB	3.13	0.83	3230	1471	4701	1270	7929	8299	0.68	3.28	1.88	0.00	5.29	0.93	0.91	11.06	12.26
	3.50	0.83	3266	1483	4748	1234	7917	8252	0.68	3.65	1.88	0.00	5.66	0.93	0.91	11.97	13.19

OTHER DIMENSIONS	VA: 1.33	HV ¹²⁾ : 0.90	HV ¹³⁾ : 0.80	RB: 0.79	SB: 1.75	TB ¹⁴⁾ : 2.32
------------------	----------	--------------------------	--------------------------	----------	----------	--------------------------

1) GVM in conformity with registration documents.
 2) GCM in conformity with registration documents.
 3) Axle load with standard tyre size.
 4) Chassis and cab weight calculated with: Standard specification items only with 170 litres of fuel, 25 litres of AdBlue® and driver of 90 kg, tolerance ± 3%. Changing of the specification can have major impact on vehicle weight.
 5) Other AE dimensions may be available for shown WB.
 6) Cab height is measured from frame member to closed cabin roof hatch.
 7) Calculate customer specific KA with TOPEC.

8) Unladen height at centre of driven axle(s).
 9) Laden height at centre of driven axle(s).
 10) TK = turning circle between kerbs.
 11) TW = turning circle between walls.
 12) Unladen height at centre of front axle(s).
 13) Laden height at centre of front axle(s).
 14) TB is overall width at rear. (At centre of front axle 255).

Depending on the vehicle configuration a specific option may not be possible. The availability and specification of this vehicle may differ per country. For further information please contact the DAF organisation. Pictures and technical illustrations are not binding in detail and can differ from the standard specification. Subject to modification without prior notice.