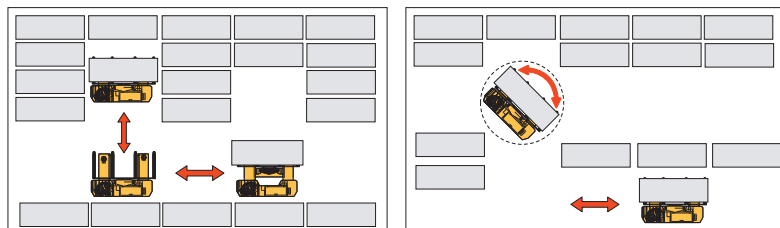


## Electronic four-way sideloader

Electronic-fourway-sideloader, lifting height from 3.200 up to 6.700 mm (standard). Hydraulic power steering, steering column multiple adjustable, LCD display (Logic Control). Proportional control for all hydraulic functions by joystick, microprocessor controls for traction, lifting and wheel positioning. Developed to reduce the aisle width to the minimum necessary and to reduce the warehouse space up to 45%, seen that it can work sideways and also in parallel travel. It is characterized by its handiness and compact dimensions, suitable for all commodity uses.



*we make ideas alive*

OMG S.p.A.  
via dell'Artigianato, 12  
46023 - GONZAGA (MN) Italy  
Tel. + 39 0376 52.60.11  
Fax. + 39 0376 58.80.08  
[www.omgindustry.com](http://www.omgindustry.com)  
[info@omgindustry.com](mailto:info@omgindustry.com)



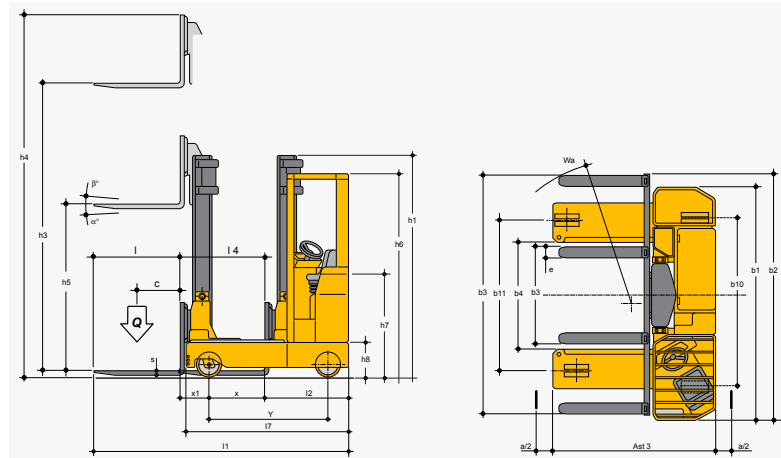
Azienda Certificata  
ISO 9001:2008 N°7236 MN  
ISO 9001:2008 N°23355

		OMG S.p.A.		
		LAT 30	LAT 35	
Characteristics	1.1 Manufacturer			
	1.2 Manufacturer's model designation T = integrated side-shift			
	1.3 Drive : E ( electric )		E	
	1.4 Type of control : S (steering wheel) R (seated)		S / R	
	1.5 Load capacity	Q ( t )	3.0	3.5
Weights	1.6 Load centre distance	c ( mm )	600	
	1.8 Load distance, centre of drive axle to fork Mast advanced	X ( mm ) X1 ( mm )	1.078 247	
	1.9 Wheelbase	Y ( mm )	1.800	
	2.1 Service weight ( battery included )	Kg	5.800	5.950
	2.3 Axle loading mast retracted ( without load )	front / rear Kg		
Wheels - Chassis	2.4 Axle loading mast advanced ( with load )	front / rear Kg		
	2.5 Axle loading mast retracted ( with load )	front / rear Kg		
	3.1 Tyres : vлк ( vulkollan ) se ( superelastic )		vлк	
	3.2 Front wheels size	mm	300	
	3.3 Rear wheels size	mm	300 / 343	
Dimensions	3.5 Wheels : number front / rear ( x = traction )		1x - 2 / 4	
	3.7 Rear track width	b 11 ( mm )	1.880	
	4.1 Mast / fork carriage tilted forward / backward	a / b	2 / 5	
	4.2 Lowered mast height	h1 ( mm )	3.030	
	4.3 Free lift	h5 ( mm )	1.900	
	4.4 Lifting height	h3 ( mm )	6.155	
	4.5 Extended mast height	h4 ( mm )	7.250	
	4.7 Overhead guard ( cab ) height	h6 ( mm )	2.498	
	4.8 Seat height	h7 ( mm )	1.263	
	4.10 Height of wheels arm	h8 ( mm )	420	
	4.19 Total length	l1 ( mm )	3.430	
	4.20 Length to forks face	l2 ( mm )	955	
	4.21 Overall width	b1 / b2 ( mm )	2.860	
	4.22 Forks dimensions	s / e / l	45 / 130 / 1.200	
	4.23 Fork carriage, class / type A, B			
	4.24 Fork carriage width	b5 ( mm )		
	4.25 Width over forks	b3 ( mm )	1.200 / 2.940	
	4.26 Distance between support arms / loading surfaces	b4 ( mm )	1.287	
	4.28 Reach distance	l4 ( mm )	1.325	
	Performances	4.32 Ground clearance	m2 ( mm )	113
4.33 Aisle width with pallets 1000 x 1200 forking side 1200		Ast3 ( mm )		
4.34 Aisle width with pallets 800 x 1200 forking side 800		Ast3 ( mm )	2.400	
4.35 Turning radius		Wa ( mm )	1.880	
4.37 Length across wheel arms		l7 ( mm )	2.200	
5.1 Travel speed		laden / unladen Km / h	8.5 / 9.5	
5.2 Lifting speed		laden / unladen m / s	0.2 / 0.25	
5.3 Lowering speed		laden / unladen m / s	0.26 / 0.29	
5.4 Reach speed		laden / unladen m / s		
5.7 Gradient performance		%		
El. motor	5.8 Max gradient performance	%	5	
	5.9 Acceleration time ( 10 m )	s		
	5.10 Service brake M ( mechanical ) I ( hydraulic ) IV ( inversion braking )		M / I	
	6.1 Traction motor, rating S2 60 min	KW	6	
	6.2 Lifting motor, rating S3 15%	KW	9	
	6.3 Battery according DIN 43531 / 35 / 36 A, B, C, no		DIN	
Others	6.4 Battery voltage, nominal capacity K5	V / Ah	48 / 700	
	6.5 Battery weight ( ± 5 % )	Kg	1.120	
	Battery dimensions l / w / h	L/W/H mm	1.220 / 424 / 784	
	8.1 Type of travel control		MOS DC	
8.2 Operating pressure for attachments	bar	180		
8.3 Oil volume for attachments ( max available )	l / min	25		
8.4 Sound level at driver's ear	dB ( A )	< 70		

Technical specification according VDI 2198

Information and data are given for information only, OMG S.p.A. will have the sole right for technical changes and improvements without giving any notice.

servo-steering	s	2 additional forks hydraulically hinged	o
flashing beacon	s	side rollers	o
reverse buzzer	s	full free lift for duplex mast	o
tilting forks	s	manual pre-selector for picking/stacking	o
electronic control for wheels position	s	extra hydraulic function	o
suspended comfort seat	s	video camera with monitor inside the cab	o
wider fork holder plate	o	lifting height indicator	o
2 additional fixed forks	o	automatic battery refilling	o
s=standard		o=option	



					LAT 30	LAT 35
h3		h1	h4	h5	(Q) t	(Q) t
3.160 dx	mm	2.500	4.250	1.600	3.0	3.5
4.160 dx	mm	3.000	5.250	2.100	3.0	3.5
5.160 dx	mm	3.500	6.250	2.600	2.8	3.2
6.160 dx	mm	4.000	7.250	3.100	2.5	2.8
6.660 dx	mm	4.250	7.750	3.350	2.3	2.5
5.160 tx ffl	mm	2.700	6.250	1.570	2.8	3.2
6.160 tx ffl	mm	3.030	7.250	1.900	2.5	2.8
6.660 tx ffl	mm	3.200	7.750	2.070	2.3	2.5