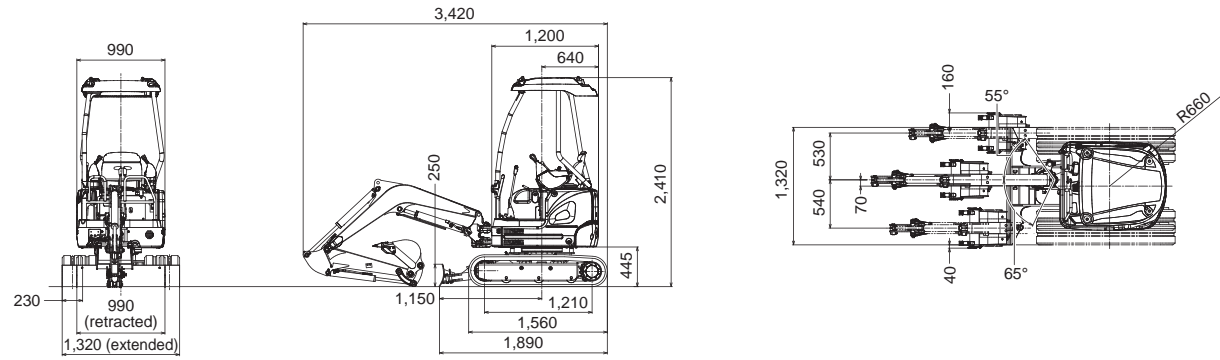


## Dimensions

Unit: mm



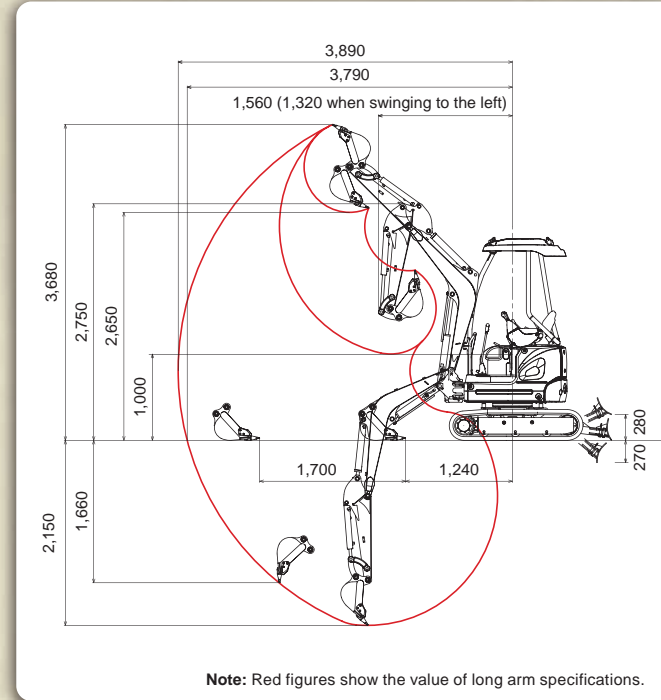
## Specifications

●PERFORMANCE		
Bucket capacity	m <sup>3</sup>	0.044 ISO heaped
Travel speed	km/h	4.0/2.0
Swing speed	min <sup>-1</sup> (rpm)	8.6
Gradeability	% (°)	58 (30)
Drawbar pulling force	kN	19.9
Bucket digging force	kN	15.2
Arm crowding force	kN	10.0
●WEIGHT		
Machine mass	kg	1,650
Ground pressure	kPa	27.5
●ENGINE		
Model	MITSUBISHI L3E-EDL2M	
Type	Water-cooled, 4-cycle, 3-cylinder, direct injection, diesel	
Power output	11.7 (15.9 PS) / 2,200 (ISO14396)* 11.3 (15.3 PS) / 2,200 (ISO9249)	
Max. torque	54.2/1,800 (ISO14396)* 53.5/1,800 (ISO9249)	
Displacement	ℓ	0.952
Fuel tank	ℓ	22.0
●HYDRAULIC SYSTEM		
Pump	Two variable displacement pumps and one gear pump	
Max. discharge flow	ℓ/min	2 x 16.3 + 11.4
Max. discharge pressure	MPa	21.6
Hydraulic capacity	ℓ	9.0 (tank level) 15.0 (system)
●DOZER BLADE		
Blade	mm	990/1,320 width x 250 height, 280 up, 270 down
●SIDE DIGGING		
Type	Boom swing type, offset angle: 65° to the left, 55° to the right	

\*ISO14396 meets EU regulation

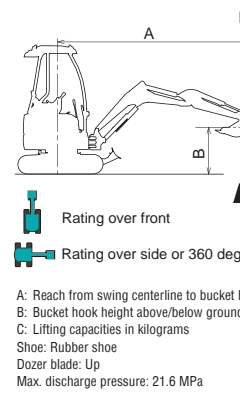
## Working Range

Unit: mm



## Lifting Capacities

SK17SR 0.98 m Arm Bucket 0.035-0.044 m <sup>3</sup> 30-35 kg Shoe 230 mm											
B	A		1.0 m (3' 3")		2.0 m (6' 7")		3.0 m (9' 10")		Max. reach	Radius	
	Rating over front	Rating over side or 360 degrees	Rating over front	Rating over side or 360 degrees	Rating over front	Rating over side or 360 degrees	Rating over front	Rating over side or 360 degrees			
(9' 10") 3.0 m	lb kg								*750 *340	*750 *340	(7' 3") 2.21 m
(6' 7") 2.0 m	lb kg			460 210	460 210	440 200	440 200				(10' 1") 3.08 m
(3' 3") 1.0 m	lb kg		860 390	850 380	420 190	420 190	350 160	350 160			(11' 0") 3.36 m
GROUND LEVEL	lb kg	*1,330 *600	*1,330 *600	770 350	750 340	400 180	400 180	350 160	350 160		(10' 8") 3.24 m
(-3' 3") -1.0 m	lb kg	*2,860 *1,290	*2,860 *1,290	770 350	770 350			490 220	490 220		(8' 8") 2.65 m
(-4' 11") -1.5 m	lb kg			*790 *360	*790 *360			*770 *350	*770 *350		(6' 8") 2.02 m



- Note:**
- Do not attempt to lift or hold any load that is greater than these lift capacities at their specified lift point radius and height. Weight of all accessories must be deducted from the above lift capacities.
  - Lift capacities are based on machine standing on level, firm, and uniform ground. User must make allowance for job conditions such as soft or uneven ground out of level conditions, side loads, sudden stopping of loads, hazardous conditions, experience of personnel, etc.
  - Bucket lift hook is defined as lift point.
  - The above lift capacities are in compliance with ISO 10567. They do not exceed 87 % of hydraulic lift capacity or 75 % of tipping load. Lift capacities marked with an asterisk (\*) are limited by hydraulic capacity rather than tipping load.
  - Operator should be fully acquainted with the Operator's and Maintenance instructions before operating this machine and rules for safe operation of equipment should be adhered to at all times.
  - Lift capacities apply to only machine as originally manufactured and normally equipped by KOBELCO CONSTRUCTION MACHINERY CO., LTD.

**Note:** This catalog may contain attachments and optional equipment that are not available in your area. And it may contain photographs of machines with specifications that differ from those of machines sold in your areas. Please consult your nearest KOBELCO distributor for those items you require. Due to our policy of continuous product improvements all designs and specifications are subject to change without advance notice.  
Copyright by KOBELCO CONSTRUCTION MACHINERY CO., LTD. No part of this catalog may be reproduced in any manner without notice.

## KOBELCO CONSTRUCTION MACHINERY CO., LTD.

17-1, Higashigotanda 2-chome, Shinagawa-ku, Tokyo 141-8626 JAPAN  
Tel: +81 (0) 3-5789-2146 Fax: +81 (0) 3-5789-2135  
www.kobelco-kenki.co.jp/english\_index.html

## Inquiries To:

# MINI EXCAVATORS

## SR Series

# SK17SR

Bucket Capacity: 0.044 m<sup>3</sup> ISO heaped  
Engine Power: 11.7 kW {15.9 PS} / 2,200 min<sup>-1</sup> {rpm} (ISO14396)  
Machine Mass: 1,650 kg



*That's KOBELCO!*  
Your First Choice

## Compactness

Accessible in narrow openings 1 m wide  
Maneuverable on tight jobsites 2 m wide

**Crawler adjustment 990 mm ⇄ 1,320 mm**

When the crawlers are retracted, the SK17SR can access narrow openings about 1 m wide. When extended, stable work performance is obtained. The crawler width can be changed easily using a lever.

**Ultra-small rear swing radius with zero tail overhang (when crawlers are fully extended)**

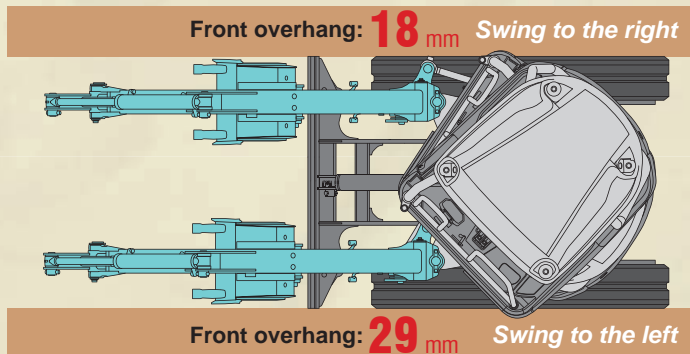
The rear swing radius is only 660 mm and the extended crawler width is 1,320 mm, allowing the counterweight to turn within the crawler width.



Tail overhang:  
**0 mm**

## High quality digging along walls

The swing boom enables excavation and ditch digging along walls. The cab floor's low-profile corners enable digging right next to walls.



Front overhang: **18 mm** Swing to the right

Front overhang: **29 mm** Swing to the left

**Smallest in its class!**



**Operating width with boom swung left: 1,980 mm**



The SK17SR features larger swing angles of 65 degrees left and 55 degrees right. The minimum swing radius with the boom swung left is as short as 1,320 mm, while the operating width with a 180 degree swing is only 1,980 mm. This short swing design is well suited for digging, swinging, and truck loading even within a 2 m space.

## Can be loaded onto a 2 ton dump truck for transport without disassembly

The compact unit can be accommodated within the truck bed. Its light weight allows for loading onto the truck together with its equipment. Lifting eyes are provided on the boom and the dozer.



Machine weight: **1,650 kg**

Overall transport length: **3,420 mm**

## Excellent Performance

Performs like full-size excavators

**Faster cycle times**

The fast and smooth arm movement and other improved features reduce cycle times, achieving greater hourly productivity.

**Smooth truck loading**

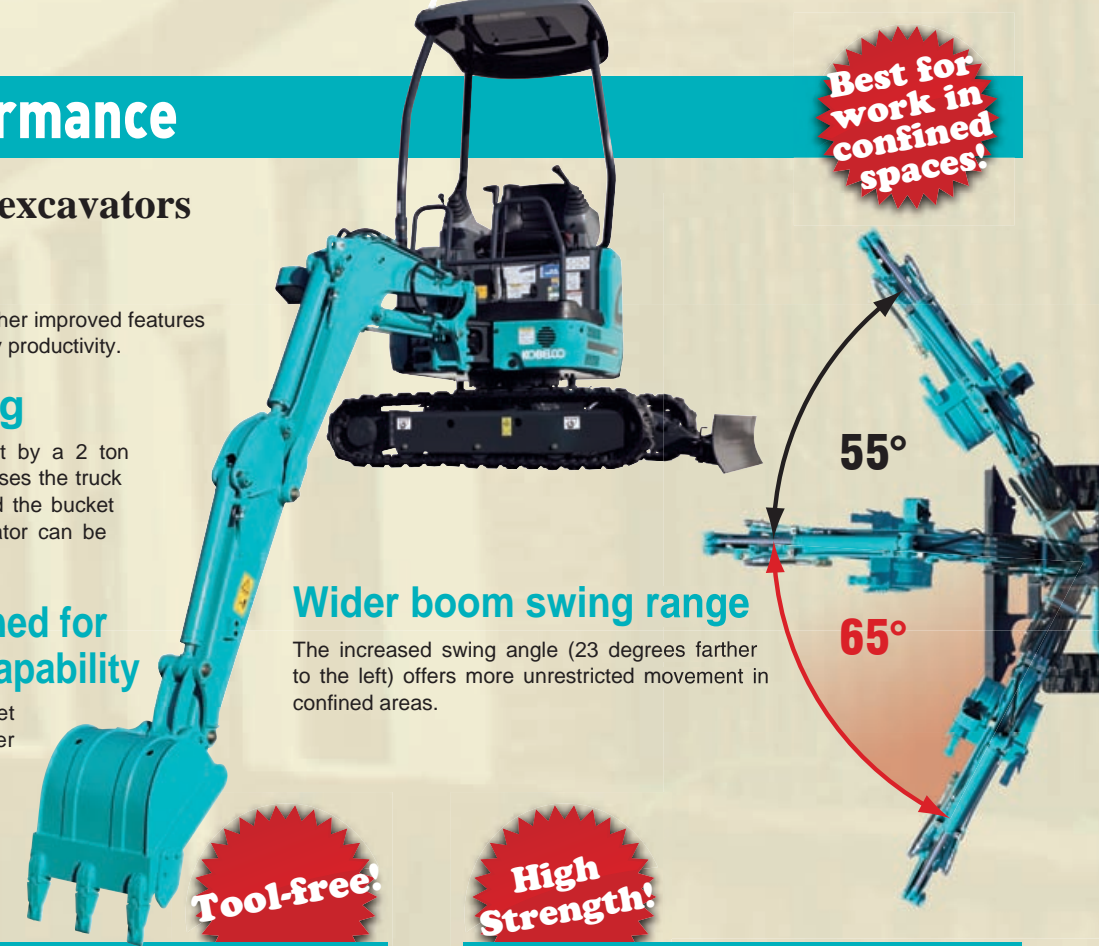
The compact unit is suitable for transport by a 2 ton dump truck. Its low transport height maximises the truck loading space. With the arm extended and the bucket curled in a horizontal position, the excavator can be loaded onto a truck without spilling soil.

**Exclusive bucket designed for increased penetration capability**

The SK17SR has a round bottom bucket which is specially designed to get better penetration.

**Ideal for utility work**

Maximum digging depth is 2,150 mm.



**Best for work in confined spaces!**

**Wider boom swing range**

The increased swing angle (23 degrees farther to the left) offers more unrestricted movement in confined areas.

## Easy Maintenance

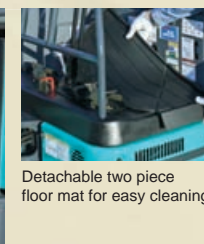
Simple routine maintenance requires only visual checks and cleaning.

**Engine compartment layout optimised for serviceability**

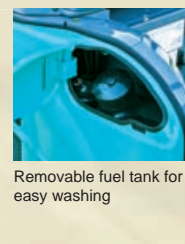
Routine maintenance can be done by just opening the bonnet. All service points are conveniently located to ensure excellent visibility and easy access.



All steel guard for easy repair



Detachable two piece floor mat for easy cleaning



Removable fuel tank for easy washing



**Prolonged refueling intervals**

The SK17SR comes with a 22 liter fuel tank. Its large capacity enables continuous digging operations for 12 hours or more.\*

Note: This value is an estimate based on KOBELCO standards. The continuous operating time varies depending on the operating conditions.

**Hydraulic oil change interval: 5,000 hours**

Long-life hydraulic oil is used. It extends oil change intervals, reducing maintenance work and costs.

**Hydraulic oil filter with a 1,000 hours service life**

The large capacity hydraulic oil filter provides higher filtration efficiency and better durability. The replacement interval has been extended to 1,000 hours.

## Exceptional Durability

Long life and maximum structural strength are assured.

**Reliable design providing long-lasting performance and quality**



Three-pillar canopy compliant with ROPS and FOPS level 2



Joint dozer hoses for easy replacement



High strength, lightweight boom top



Engine oil filter with oil pan



Link pin with locking pin/cast steel idler link

Photos in this catalog may include attachments and optional equipment that are not available in your areas.