

The Power of Demolition



Italiademolitori srl



Italiademolitori srl

The Power of Demolition



The Power of Demolition



SHEERS & PULVERIZERS

Made In Italy



About italdem:

Italiademolitori srl is the manufacturer of *italdem* products one of the most well known brands of hydraulic hammers and one of the market leaders not only in Italy but also in many countries around the world. The current position is the result of **30 YEARS OF EXPERIENCE.**



Italdem's Demolition Attachments:

- italdem offers a comprehensive range of demolition equipments for all kind of demolition challenges, which is the result of italdem's advanced technological know how and 30 years of manufacturing experience.
- The demolition range are manufactured following top quality guidlines and the latest technologically advanced materials.
- Designed to withstand the toughest working conditions, high level of pressure, wear and prolonged use regardless of jobsite condition.
- All the machines are built **from WELDOX 700 and HARDOX 400** for maximum resistance and durability with lowest maintenance costs.



Italdem Sheers & Pulveriszers



● Demolition Shears

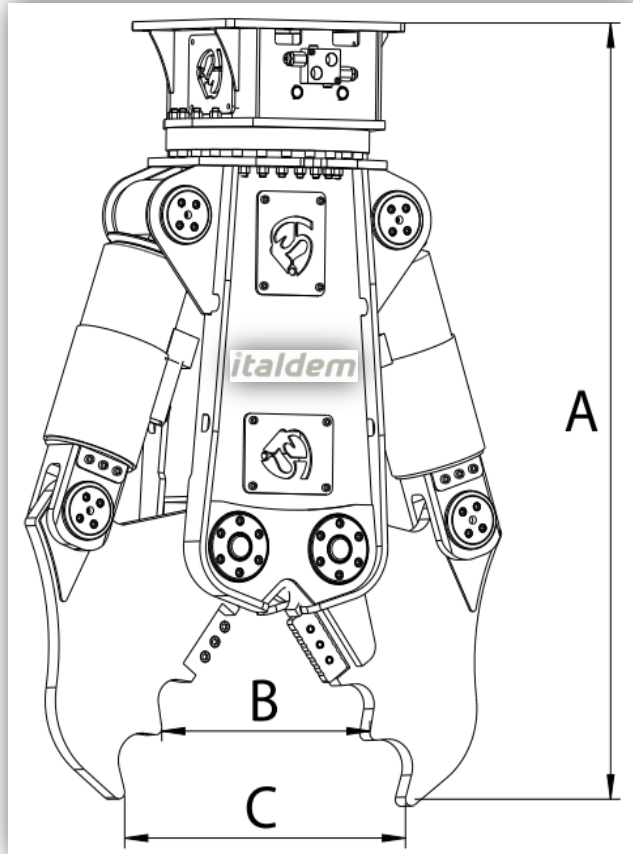


•The whole series of demolition shears ITP has been designed to satisfy the primary demolition needs. They have been designed with particular care for materials, ITP shears demolish concrete, with low noise and vibrations.

Advantages:

- Structure entirely made from **WELDOX & HARDOX 400** for the best combination of structural strength and wear durability.
- An integrated hydraulic installation permits to the shear to make a continuous 360° rotation in both directions to have a fast, accurate and efficient positioning of the jaw in any work condition.
- Suitable for most types of excavator and can be used with excavators with very long arms.
- Design of the shear housing provides full protection of the cylinder throughout the demolition job.





Measurment	ITP 100	ITP 150	ITP 180	ITP 200	ITP 250
A Opening (mm)	1700	2010	2300	2300	2700
B Length (mm)	400	510	630	680	850
C Largeness (mm)	600	710	840	920	1100





TECHNICAL DETAILS



Specifications	ITP 100	ITP 150	ITP 180	ITP 200	ITP 250
Weight	1150kg	1400kg	1800kg	2200kg	2900kg
Carrier weight	12-16ton	16-22ton	22-30ton	30-40ton	35-50ton
Max. Pressure	300 bar	300 bar	300 bar	300 bar	300 bar
Max oil flow	160 l/min	160 l/min	180 l/min	180-200 l/min	180-200 l/min
Cutting force (At tip)	90 ton	100 ton	120ton	140ton	160ton
Cutting force (At center)	135ton	140ton	160ton	180ton	200ton
Rotation flow	30l/min	30l/min	30l/min	30l/min	30l/min
Rotation pressure	70-80 bar	70-80 bar	70-80 bar	70-80 bar	70-80 bar
Max. jaw opening	100:600 mm	150:710 mm	180:840 mm	200:900 mm	250:1100 mm

●● Rotating Pulverizers

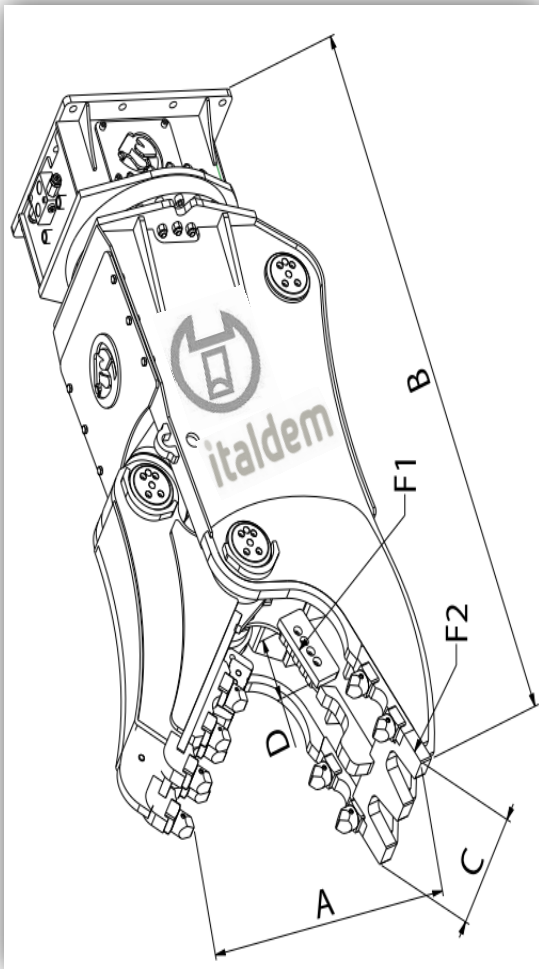


•ITFG hydraulic rotating pulverizers series has been specifically designed for demolition or recycling jobs on reinforced concrete buildings or other structures, and for earth-moving in general.

Advantages:

- Equipped with large heavy duty rotation motor which provides optimum maneuverability, increasing production over a fixed shear, while reducing carrier weight.
- Pulverizer made entirely from **WELDOX & HARDOX 400**.
- Enclosed structure adds strength and rigidity while protecting the cylinder.
- Interchangeable blades.
- An innovative interchangeable teeth system.





Measurement	ITFG 160	ITFG 200	ITFG 280	ITFG 380
A opening (mm)	680	800	1040	1130
B Length (mm)	2330	2390	2660	2850
C Largeness (mm)	460	480	510	550
D Blade (mm)	140	200	240	240
F1 blades (ton) tightening force	198	240	340	450
F2 tips (ton) tightening force	70	90	120	145





TECHNICAL DETAILS



Specifications	ITFG 160	ITFG 200	ITFG 280	ITFG 380
Weight	1600kg	2000kg	2800kg	3800kg
Carrier weight	16-20 ton	21-28 ton	28-40 ton	35-60 ton
Max. Pressure	310 bar	300 bar	300 bar	300 bar
Max oil flow	180-200 l/min	180-200 l/min	180-200 l/min	180-200 l/min
Cutting force (At tip)	135 ton	150 ton	170 ton	190 ton
Cutting force (At center)	185 ton	200 ton	230 ton	250 ton
Rotation flow	30 l/min	30 l/min	30 l/min	30 l/min
Rotation pressure	50-70 bar	70-80 bar	70-80 bar	70-80 bar
Max. jaw opening	160:680 mm	200:760 mm	280:910 mm	380:1050 mm

Fixed Pulverizers

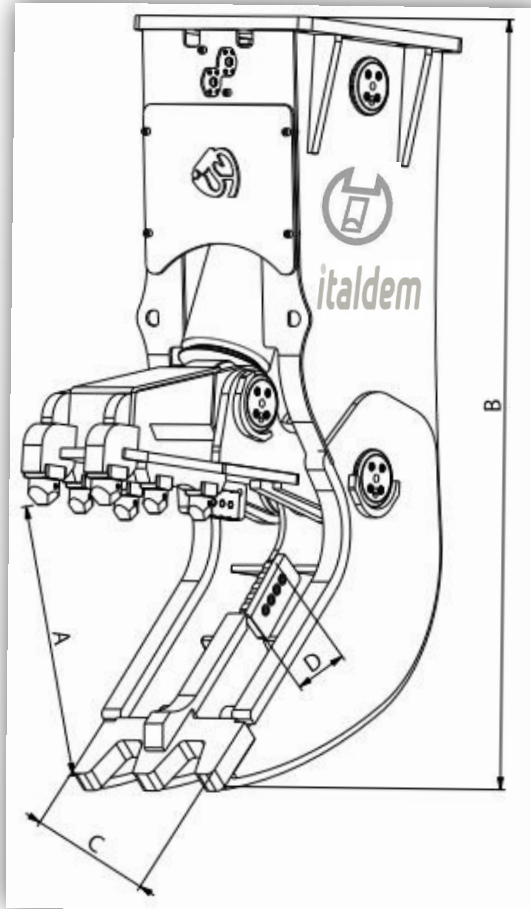


- ITFF series satisfy not only the primary demolition of buildings, vertical structures, flooring, slabs and external walls, but also for the secondary demolition of reinforced concrete materials and structures, and for recycling after separating the concrete from the steel rods.

Advantages:

- Made entirely from **WELDOX & HARDOX 400** structure .
- Reversed cylinder to protect the rod from accidental hits.
- Innovative design which provides better grip and makes them easier to handle.
- Wide opening between the two jaws combined with powerful hydraulic system which leads to greater efficiency when demolishing and reduces both working times and stress transmitted to the excavator.
- Interchangeable blades.





Measurment	ITFF 120	ITFF 170	ITFF 200	ITFF 280
A opening (mm)	700	815	860	1040
B Length (mm)	1920	2080	2300	2660
C Largeness (mm)	400	460	550	560
D Blade (mm)	140	200	200	240
F1 blades (ton) tightening force	150	195	240	340
F2 tips (ton) tightening force	60	70	85	120





TECHNICAL DETAILS



Specifications	ITFF 120	ITFF 170	ITFF 200	ITFF 280
Weight	1120kg	1740kg	2100kg	2900kg
Carrier weight	10-16 ton	16-22 ton	22-30 ton	30-45 ton
Max. Pressure	300 bar	300 bar	300 bar	300 bar
Max oil flow	180 l/min	180 l/min	180 l/min	180 l/min
Cutting force (At tip)	90 ton	120 ton	140 ton	170 ton
Cutting force (At center)	130 ton	160 ton	190 ton	250 ton
Max. jaw opening	120:640 mm	170:810 mm	200:910 mm	280:1090 mm



Scrap Shears

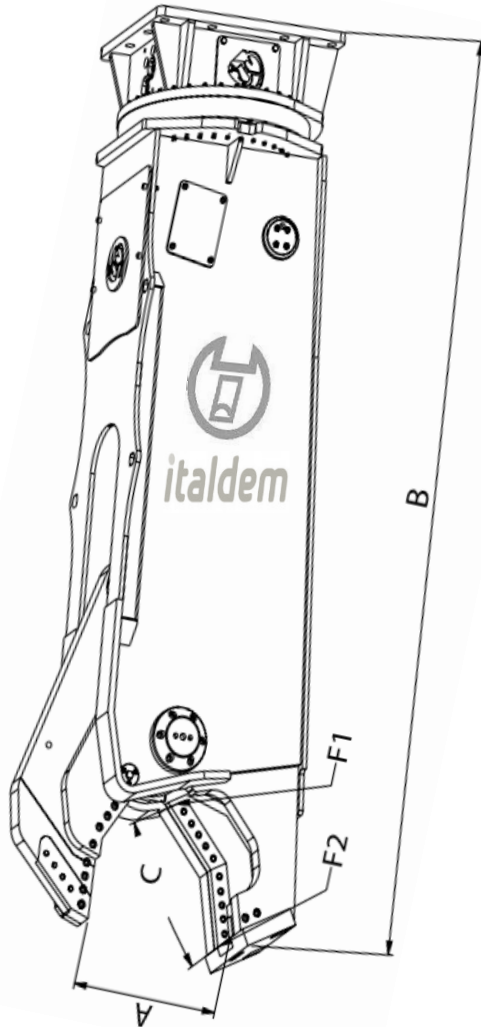


- ITC scrap shears have been designed for demolishing iron structures and for cutting Offshore platform decommissioning, structural steels, Pipeline and piling cutting, tanks, sheets and iron cases.

Advantages:

- Built entirely from **Weldox & Hardox 400** Steel for the best combination of structural strength and wear durability.
- Hydraulic rotation (360°) which allow for greater because of the speed and ease with which the shear jaws can be placed in optimum cutting position.
- The unique design of the shear effectively enhances the cutting force by facilitating the spreading out of the shear along with the length of the jaw, thus maximizing the shear cutting force.
- A reversed cylinder to protect the rod.
- Interchangeable blades to cut perfectly.





Measurments	ITC 180	ITC 300	ITC 400
A opening	470	590	680
B Length	3040	3520	3660
C Largeness	500	590	600
F1 blades tightening force	250	550	600
F2 tips tightening force	60	130	150





TECHNICAL DETAILS



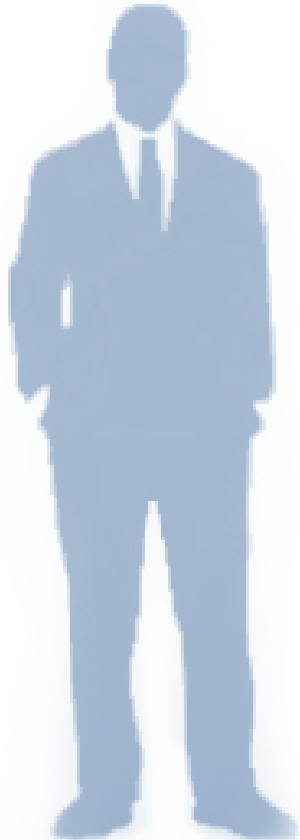
Specifications	ITC180	ITC 300	ITC 400
Weight	1950kg	3000kg	4200kg
Carrier weight	20-30 ton	28-40 ton	38-50 ton
Max. Pressure	300 bar	300 bar	300 bar
Max oil flow	180-200 l/min	180 l/min	180-200 l/min
Rotation working pressure	70-80 bar	70-80 bar	70-80 bar
Rotation flow	30 l/min	30 l/min	30 l/min
Cutting power	150 ton	200 ton	285 ton
Rod Iron	65 mm	80 mm	100 mm
Plate	15 mm	20 mm	22 mm
Angle iron	150 x 15 mm	180 x15 mm	220 x 20 mm
Steel Section IPE	270 mm	320 mm	440 mm
Steel Section HEA	150 mm	220 mm	300 mm



What do we offer..

- Great Discounts offers for our dealers and clients with discounts up to 55% on all the products and 50% on the Spare Parts.
- 1 Year Warranty from the date of delivery to end user.
- Demolition Sheers Can be ready for delivery in 4-5 days from order confirmation.
- Organizing the shipment process with the lowest possible cost.
- Possibility of customization of different color and logo if requested.
- Superior after sales services for our clients with easy communication with our skilled and multilingual team in the sales and export department (Italian, English, Arabic, , French and Spanish).





Contact us at:

- Email: amru@italdem.com
- Web: www.italdem.net
- Facebook: www.facebook.com/italdem
- Twitter: @Italdem
- Tel: +39 080. 3742444
- Fax:+39 080.3714632

