

SPECIFICATIONS

HX300 L

ENGINE			
Maker / Model	Cummins QSB6.7		
Type	4-cycle turbocharged, charge air cooled diesel engine		
Rated flywheel horse power	SAE	J1995 (gross)	242 HP (180 kW) at 1,950 rpm
		J1349 (net)	230 HP (171 kW) at 1,950 rpm
	DIN	6271/1 (gross)	245 PS (180 kW) at 1,950 rpm
		6271/1 (net)	233 PS (171 kW) at 1,950 rpm
Max. torque	100.9 kgf·m (729.8 lbf·ft) at 1,500 rpm		
Bore × stroke	107 × 124 mm (4.21" × 4.88")		
Piston displacement	6,700 cc (409 cu in)		
Batteries	2 × 12 V × 160 Ah		
Starting motor	Denso 24 V - 4.8 kW		
Alternator	Denso 24 V - 95 A		

HYDRAULIC SYSTEM	
MAIN PUMP	
Type	Variable displacement tandem axis piston pumps
Max. flow	2 × 273 l/min (72.1 U.S. gpm / 60.1 U.K. gpm)
Sub-pump for pilot circuit	Gear pump
Cross-sensing and fuel saving pump system	

HYDRAULIC MOTORS	
Travel	Variable displacement axial piston motor
Swing	Axial piston motor

RELIEF VALVE SETTING	
Implement circuits	350 kgf/cm ² (4,980 psi)
Travel	350 kgf/cm ² (4,980 psi)
Power boost (boom, arm, bucket)	380 kgf/cm ² (5,400 psi)
Swing circuit	300 kgf/cm ² (4,270 psi)
Pilot circuit	40 kgf/cm ² (570 psi)
Service valve	Installed

HYDRAULIC CYLINDERS	
No. of cylinder bore × stroke	Boom: Ø 140 × 1,465 mm
	Arm: Ø 150 × 1,765 mm
	Bucket: Ø 135 × 1,185 mm

DRIVES & BRAKES	
Drive method	Fully hydrostatic type
Drive motor	Axial piston motor, in-shoe design
Reduction system	Planetary reduction gear
Max. drawbar pull	27,300 kgf (60,200 lbf)
Max. travel speed (high / low)	5.8 km/hr (3.6 mph) / 3.2 km/hr (2.0 mph)
Gradeability	35° (70%)
Parking brake	Multi wet disc

CONTROL	
Pilot pressure operated joysticks and pedals with detachable lever provide almost effortless and fatigueless operation.	
Pilot control	Two joysticks with one safety lever (LH): Swing and arm (RH): Boom and bucket (ISO)
Traveling and steering	Two levers with pedals
Engine throttle	Electric, Dial type

SWING SYSTEM	
Swing motor	Fixed displacement axial piston motor
Swing reduction	Planetary gear reduction
Swing bearing lubrication	Grease-bathed
Swing brake	Multi wet disc
Swing speed	10.2 rpm

SERVICE REFILL CAPACITIES			
Re-filling	liter	US gal	UK gal
Fuel tank	500	132.1	110.0
Engine coolant	40	10.6	8.8
Engine oil	23.1	6.1	5.1
Swing device	11	2.9	2.4
Final drive (each)	7.8	2.06	1.72
Hydraulic system (including tank)	330	87.2	72.6
Hydraulic tank	190	50.2	41.8
DEF/AdBlue®	42.5	11.2	9.3

UNDERCARRIAGE	
The X-leg type center frame is integrally welded with reinforced box-section track frames. The undercarriage includes lubricated rollers, idlers, track adjusters with shock absorbing springs and sprockets and a track chain with double or triple grouser shoes.	

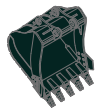
Center frame	X - leg type
Track frame	Pentagonal box type
No. of shoes on each side	48 EA
No. of carrier roller on each side	2 EA
No. of track roller on each side	9 EA
No. of rail guard on each side	2 EA

OPERATING WEIGHT (APPROXIMATE)	
Operating weight, including 6,250 mm (20' 6") boom; 3,050 mm (10' 0") arm; SAE heaped 1.27 m ³ (1.66 yd ³) bucket, lubricant, coolant, full fuel tank, full hydraulic tank and all standard equipments.	

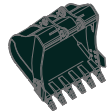
OPERATING WEIGHT			
Shoes	Operating weight		Ground pressure
Type	Width mm (in)	kg (lb)	kgf / cm ² (psi)
Triple grouser	600 (24")	HX300 L	30,200 (66,580) 0.58 (8.25)
		HX300 NL	30,000 (66,140) 0.58 (8.25)
		HX300 HW	33,040 (72,840) 0.64 (9.10)
	700 (28")	HX300 L	30,770 (67,840) 0.51 (7.25)
		HX300 HW	33,610 (74,100) 0.56 (7.95)
		800 (32")	HX300 L
HX300 HW	33,990 (74,940) 0.49 (6.97)		
900 (36")	HX300 L	31,530 (69,510) 0.41 (5.83)	
		HX300 NL	31,680 (69,840) 0.52 (7.39)
	HX300 HW	34,520 (76,100) 0.56 (7.96)	

BUCKET SELECTION GUIDE HX300 L & DIGGING FORCE

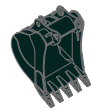
BUCKETS



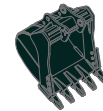
1.27 (1.66)
1.50 (1.96)



1.73 (2.26)
1.85 (2.42)



◆ 1.27 (1.66)
◆ 1.46 (1.91)



◆ 1.33 (1.74)
◆ 1.50 (1.96)



★ 0.52 (0.68)

SAE heaped
m³ (yd³)

Capacity m ³ (yd ³)		Width mm (in)		Weight kg (lb)	Recommendation mm (ft.in)				
					6,250 (20' 6") Boom				10,200 (33' 6") Boom
SAE heaped	CECE heaped	Without side cutters	With side cutters		2,100 (6' 11") Arm	2,500 (8' 2") Arm	3,050 (10' 0") Arm	3,750 (12' 4") Arm	7,850 (25' 9") Arm
1.27 (1.66)	1.11 (1.45)	1,325 (52.2)	1,410 (55.5)	1,100 (2,430)	●	●	●	⊙	-
1.50 (1.96)	1.30 (1.70)	1,515 (59.6)	1,600 (63.0)	1,180 (2,600)	●	●	⊙	○	-
1.73 (2.26)	1.51 (1.98)	1,605 (63.2)	1,690 (66.5)	1,280 (2,820)	⊙	⊙	○	○	-
1.85 (2.42)	1.61 (2.11)	1,700 (66.9)	1,780 (70.1)	1,330 (2,930)	⊙	○	○	○	-
◆ 1.27(1.66)	1.11 (1.45)	1,380 (54.3)	-	1,290 (2,840)	●	●	⊙	⊙	-
◆ 1.46(1.91)	1.28 (1.67)	1,535 (60.4)	-	1,380 (3,040)	⊙	⊙	⊙	○	-
◆ 1.33 (1.74)	1.16 (1.52)	1,420 (55.9)	-	1,470 (3,240)	⊙	⊙	⊙	○	-
◆ 1.50 (1.96)	1.30 (1.70)	1,550 (61.0)	-	1,550 (3,420)	⊙	⊙	●	○	-
★ 0.52(0.68)	0.45 (0.59)	945 (37.2)	1,020 (40.2)	460 (1,010)	-	-	-	-	⊙

- ◆ Heavy duty bucket
- ◆ Rock-Heavy duty bucket
- ★ Long reach bucket

- : Applicable for materials with density of 2,000 kg /m³ (3,370 lb/ yd³) or less
- ⊙ : Applicable for materials with density of 1,600 kg /m³ (2,700 lb/ yd³) or less
- : Applicable for materials with density of 1,100 kg /m³ (1,850 lb/ yd³) or less

ATTACHMENT

Booms and arms are welded with a low-stress, full-box section design.
6.25 m (20' 6"); 10.2 m (33' 6") Booms and 2.1 m (6' 11"); 2.5 m (8' 2"); 3.05 m (10' 0") & 3.75 m (12' 4") Arms are available.

DIGGING FORCE

Boom	Length	mm (ft.in)	6,250 (20' 6")				10,200 (33' 6")	Remarks:
	Weight	kg (lb)	2,670 (5,900)				3,420 (7,540)	
Arm	Length	mm (ft.in)	2,100 (6' 11")	2,500 (8' 2")	3,050 (10' 0")	3,750 (12' 4")	7,850 (25' 9")	[]: Power Boost
	Weight	kg (lb)	1,480 (3,260)	1,460 (3,220)	1,570 (3,460)	1,710 (3,770)	1,690 (3,730)	
Bucket digging force	SAE	kN	168.7 [183.1]	168.7 [183.1]	168.7 [183.1]	168.7 [183.1]	70	
		kgf	17200 [18670]	17200 [18670]	17200 [18670]	17200 [18670]	7100	
		lbf	37920 [41170]	37920 [41170]	37920 [41170]	37920 [41170]	15650	
	ISO	kN	192.2 [208.7]	192.2 [208.7]	192.2 [208.7]	192.2 [208.7]	80	
		kgf	19600 [21280]	19600 [21280]	19600 [21280]	19600 [21280]	8200	
		lbf	43210 [46910]	43210 [46910]	43210 [46910]	43210 [46910]	18080	
Arm crowd force	SAE	kN	180.4 [195.9]	156.9 [170.4]	131.4 [142.7]	114.7 [124.6]	47.1	
		kgf	18400 [19980]	16000 [17370]	13400 [14550]	11700 [12700]	4800	
		lbf	40570 [44050]	35270 [38290]	29540 [32070]	25790 [28000]	10580	
	ISO	kN	190.3 [206.6]	163.8 [177.8]	136.3 [148.0]	119.6 [129.9]	48.1	
		kgf	19400 [21060]	16700 [18130]	13900 [15090]	12200 [13250]	4900	
		lbf	42770 [46440]	36820 [39980]	30640 [33270]	26900 [29210]	10800	

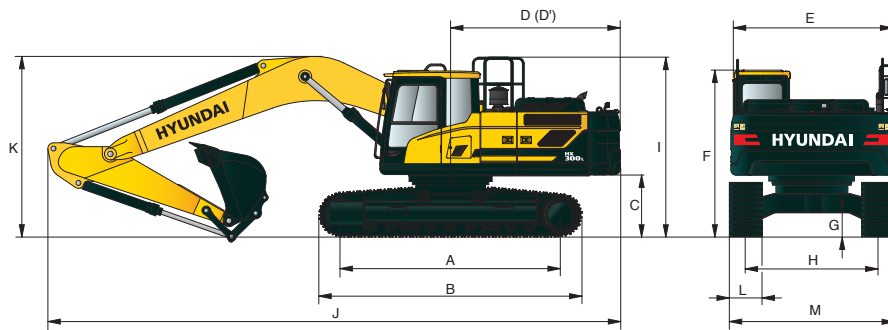
Note : Boom weight includes arm cylinder, piping, and pin
Arm weight includes bucket cylinder, linkage, and pin

DIMENSIONS & WORKING RANGE

HX300 L

HX300 L / HX300 NL DIMENSIONS

6.25 m (20' 6") BOOM and 2.1 m (6' 11"); 2.5 m (8' 2"); 3.05 m (10' 0") & 3.75 m (12' 4") ARM

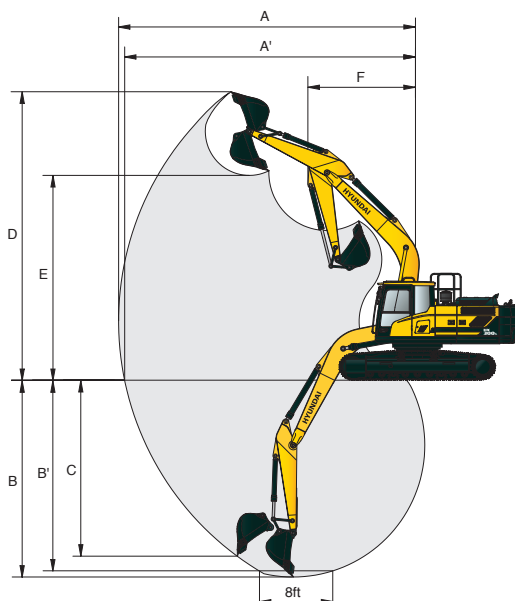


Unit : mm (ft-in)

A	Tumbler distance	4,030 (13' 3")
B	Overall length of crawler	4,940 (16' 2")
C	Ground clearance of counterweight	1,190 (3' 11")
D	Tail swing radius	3,200 (10' 6")
D'	Rear-end length	3,120 (10' 3")
E	Overall width of upperstructure	2,980 (9' 9")
F	Overall height of cab	3,030 (9' 11")
G	Min. ground clearance	500 (1' 8")
H	Track gauge	HX300 L 2,600 (8' 6")
		HX300 NL 2,390 (7' 10")
I	Overall height of guardrail	3,340 (10' 11")

Boom length	6,250 (20' 6")			
Arm length	2,100 (6' 11")	2,500 (8' 2")	3,050 (10' 0")	3,750 (12' 4")
J Overall length	10,700 (35' 1")	10,650 (34' 11")	10,560 (34' 8")	10,630 (34' 11")
K Overall height of boom	3,590 (11' 9")	3,470 (11' 5")	3,290 (10' 10")	3,500 (11' 6")
L Track shoe width	600 (23' 6")			
M Overall width	HX300 L:	3,200 (10' 6")		
	HX300 NL:	2,990 (9' 10")		

HX300 L / HX300 NL WORKING RANGE



Unit : mm (ft-in)

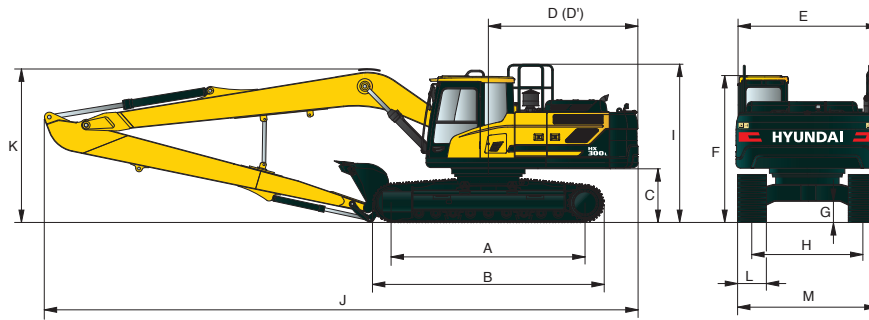
Boom length	6,250 (20' 6")			
Arm length	2,100 (6' 11")	2,500 (8' 2")	3,050 (10' 0")	3,750 (12' 4")
A Max. digging reach	10,020 (32' 10")	10,280 (33' 9")	10,820 (35' 6")	11,400 (37' 5")
A' Max. digging reach on ground	9,820 (32' 3")	10,080 (33' 1")	10,620 (34' 10")	11,220 (36' 10")
B Max. digging depth	6,440 (21' 2")	6,840 (22' 5")	7,390 (24' 3")	8,090 (26' 7")
B' Max. digging depth (8' level)	6,240 (20' 6")	6,630 (21' 9")	7,200 (23' 7")	7,920 (26' 0")
C Max. vertical wall digging depth	6,000 (19' 8")	5,850 (19' 2")	6,380 (20' 11")	7,080 (23' 3")
D Max. digging height	10,040 (32' 11")	10,000 (32' 10")	10,160 (33' 4")	10,360 (34' 0")
E Max. dumping height	6,940 (22' 9")	7,030 (23' 1")	7,110 (23' 4")	7,310 (24' 0")
F Min. front swing radius	4,400 (14' 5")	4,300 (14')	4,250 (13' 11")	4,200 (13' 9")

DIMENSIONS & WORKING RANGE

HX300 L

HX300 L LONG REACH

10.2 m (33' 6") BOOM and 7.85 m (25' 9") ARM

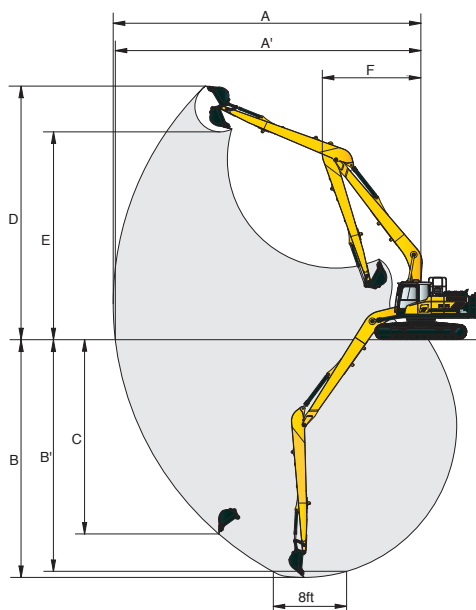


Unit : mm (ft-in)

A	Tumbler distance	4,030 (13' 3")
B	Overall length of crawler	4,940 (16' 2")
C	Ground clearance of counterweight	1,190 (3' 11")
D	Tail swing radius	3,210 (10' 5")
D'	Rear-end length	3,120 (10' 3")
E	Overall width of upperstructure	2,980 (9' 9")
F	Overall height of cab	3,030 (9' 11")
G	Min. ground clearance	500 (1' 8")
H	Track gauge	2,600 (8' 6")
I	Overall height of guardrail	3,340 (10' 11")

	Boom length	10,200 (33' 6")
	Arm length	7,850 (25' 9")
J	Overall length	14,560 (47' 9")
K	Overall height of boom	3,560 (11' 8")
L	Track shoe width	800 (31' 5")
M	Overall width	3,400 (11' 2")

HX300 L LONG REACH WORKING RANGE



Unit : mm (ft-in)

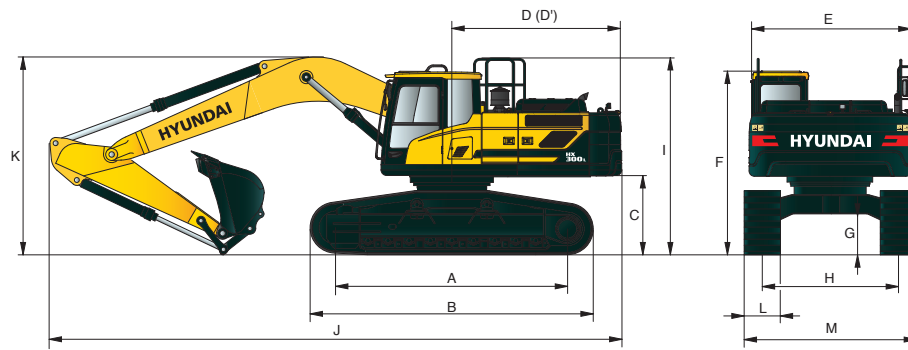
	Boom length	10,200 (33' 6")
	Arm length	7,850 (25' 9")
A	Max. digging reach	18,510 (60' 9")
A'	Max. digging reach on ground	18,400 (60' 4")
B	Max. digging depth	14,820 (48' 7")
B'	Max. digging depth (8' level)	14,690 (48' 2")
C	Max. vertical wall digging depth	12,020 (39' 5")
D	Max. digging height	14,500 (47' 7")
E	Max. dumping height	12,190 (40' 0")
F	Min. front swing radius	6,250 (20' 6")

DIMENSIONS & WORKING RANGE

HX300 L

HX300 L HIGH WALKER DIMENSIONS

6.25 m (20' 6") BOOM and 3.05 m (10' 0") ARM



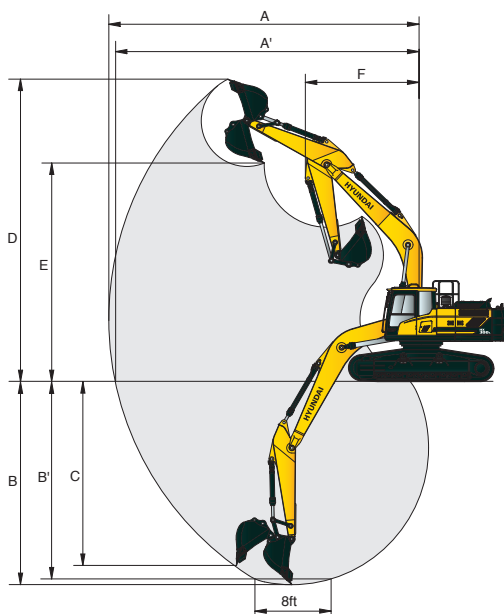
Unit : mm (ft-in)

A	Tumbler distance	4,030 (13' 3")
B	Overall length of crawler	4,950 (16' 3")
C	Ground clearance of counterweight	1,500 (4' 11")
D	Tail swing radius	3,200 (10' 6")
D'	Rear-end length	3,120 (10' 3")
E	Overall width of upperstructure	2,980 (9' 9")
F	Overall height of cab	3,400 (11' 2")
G	Min. ground clearance	765 (2' 6")
H	Track gauge	2,870 (9' 5")
I	Overall height of guardrail	3,640 (12' 0")

Boom length	6,250 (20' 6")			
Arm length	2,100 (6' 11")	2,500 (8' 2")	3,050 (10' 0")	3,750 (12' 4")
J Overall length	10,690 (35' 1")	10,610 (34' 10")	10,430 (34' 3")	10,530 (34' 7")
K Overall height of boom	3,740 (12' 3")	3,590 (11' 9")	3,350 (11' 0")	3,510 (11' 6")
L Track shoe width	600 (23' 6")			
M Overall width	3,470 (11' 5")			

HX300 L HIGH WALKER WORKING RANGE


Unit : mm (ft-in)



Boom length	6,250 (20' 6")			
Arm length	2,100 (6' 11")	2,500 (8' 2")	3,050 (10' 0")	3,750 (12' 4")
A Max. digging reach	10,020 (32' 10")	10,280 (33' 9")	10,790 (35' 5")	11,400 (37' 5")
A' Max. digging reach on ground	9,750 (32' 0")	10,020 (32' 10")	10,530 (34' 7")	11,160 (36' 7")
B Max. digging depth	6,140 (20' 2")	6,540 (21' 5")	7,090 (23' 3")	7,790 (25' 7")
B' Max. digging depth (8' level)	5,930 (19' 5")	6,330 (20' 9")	6,910 (22' 8")	7,630 (25' 0")
C Max. vertical wall digging depth	5,700 (18' 8")	5,560 (18' 3")	6,090 (20' 0")	6,790 (22' 3")
D Max. digging height	10,320 (33' 10")	10,270 (33' 8")	10,440 (34' 3")	10,660 (35' 0")
E Max. dumping height	7,240 (23' 9")	7,170 (23' 6")	7,400 (24' 3")	7,610 (25' 0")
F Min. front swing radius	4,400 (14' 5")	4,300 (14' 1")	4,250 (13' 11")	4,200 (13' 9")




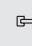

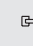

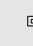

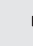

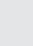
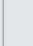
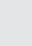
LIFTING CAPACITY

HX300 L




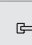

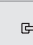



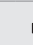

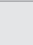
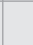
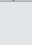
 Rating over-front  Rating over-side or 360 degrees

HX300 NL

6.25 m (20' 6") boom; 3.05 m (10' 0") arm equipped with 1.27 m³ (SAE heaped) bucket and 600 mm (24") triple grouser shoes.

Load point height m (ft)	Load radius												At max. reach		
	1.5 m (5 ft)		3.0 m (10 ft)		4.5 m (15 ft)		6.0 m (20 ft)		7.5 m (25 ft)		9.0 m (30 ft)		Capacity	Reach	
															m (ft)
7.5 m (25 ft)	kg												*4690	3480	8.94
	lb												*10340	7670	(29.3)
6.0 m (20 ft)	kg								*5190	4720			*4850	2830	9.74
	lb								*11440	10410			*10690	6240	(32.0)
4.5 m (15 ft)	kg						*6290	*6290	*5700	4520			4660	2470	10.20
	lb						*13870	*13870	*12570	9960			10270	5450	(33.5)
3.0 m (10 ft)	kg		*10560	*10560	*10410	9790	*7710	6200	*6440	4250	*4350	3010	4410	2290	10.40
	lb		*23280	*23280	*22950	21580	*17000	13670	*14200	9370	*9590	6640	9720	5050	(34.1)
1.5 m (5 ft)	kg				*13000	8840	*9100	5720	*7230	3990	*5160	2880	4370	2240	10.35
	lb				*28660	19490	*20060	12610	*15940	8800	*11380	6350	9630	4940	(34.0)
Ground Line	kg		*10210	*10210	*14420	8350	*10120	5380	7220	3790	*4530	2780	4560	2340	10.04
	lb		*22510	*22510	*31790	18410	*22310	11860	15920	8360	*9990	6130	10050	5160	(32.9)
-1.5 m (-5 ft)	kg	*11050	*11050	*14320	*14320	*14790	8200	10200	5220	7100	3680		5050	2620	9.44
	lb	*24360	*24360	*31570	*31570	*32610	18080	22490	11510	15650	8110		11130	5780	(31.0)
-3.0 m (-10 ft)	kg	*14950	*14950	*19330	17000	*14280	8260	10190	5220	7120	3700		6080	3220	8.48
	lb	*32960	*32960	*42620	37480	*31480	18210	22470	11510	15700	8160		13400	7100	(27.8)
-4.5 m (-15 ft)	kg	*19540	*19540	*18280	17510	*12720	8510	*9280	5400				*6310	4650	6.97
	lb	*43080	*43080	*40300	38600	*28040	18760	*20460	11900				*13910	10250	(22.9)

6.25 m (20' 6") boom; 3.75 m (12' 4") arm equipped with 1.27 m³ (SAE heaped) bucket and 600 mm (24") triple grouser shoes.

Load point height m (ft)	Load radius												At max. reach		
	1.5 m (5 ft)		3.0 m (10 ft)		4.5 m (15 ft)		6.0 m (20 ft)		7.5 m (25 ft)		9.0 m (30 ft)		Capacity	Reach	
															m (ft)
7.5 m (25 ft)	kg												*4150	2980	9.67
	lb												*9150	6570	(31.7)
6.0 m (20 ft)	kg								*4400	*4400	*2470	*2470	*4320	2460	10.40
	lb								*9700	*9700	*5450	*5450	*9520	5420	(34.1)
4.5 m (15 ft)	kg								*4980	4620	*3900	3200	4170	2160	10.83
	lb								*10980	10190	*8600	7050	9190	4760	(35.5)
3.0 m (10 ft)	kg		*14350	*14350	*8830	*8830	*6800	6380	*5800	4330	*5000	3040	3960	2000	11.02
	lb		*31640	*31640	*19470	*19470	*14990	14070	*12790	9550	*11020	6700	8730	4410	(36.2)
1.5 m (5 ft)	kg		*10620	*10620	*11740	9160	*8340	5840	*6680	4030	5490	2880	3920	1950	10.97
	lb		*23410	*23410	*25880	20190	*18390	12870	*14730	8880	12100	6350	8640	4300	(36.0)
Ground Line	kg	*6900	*6900	*10970	*10970	*13710	8470	*9590	5430	7230	3780	5340	4060	2020	10.68
	lb	*15210	*15210	*24180	*24180	*30230	18670	*21140	11970	15940	8330	11770	8950	4450	(35.0)
-1.5 m (-5 ft)	kg	*9920	*9920	*13590	*13590	*14590	8160	10170	5180	7050	3620	5250	4430	2230	10.12
	lb	*21870	*21870	*29960	*29960	*32170	17990	22420	11420	15540	7980	11570	9770	4920	(33.2)
-3.0 m (-10 ft)	kg	*13080	*13080	*17280	16650	*14560	8110	10080	5110	6990	3570		5180	2670	9.25
	lb	*28840	*28840	*38100	36710	*32100	17880	22220	11270	15410	7870		11420	5890	(30.3)
-4.5 m (-15 ft)	kg	*16750	*16750	*20160	17050	*13580	8260	*9900	5190				*6130	3620	7.92
	lb	*36930	*36930	*44450	37590	*29940	18210	*21830	11440				*13510	7980	(26.0)

1. Lifting capacity are based on SAE J1097 and ISO 10567.

2. Lifting capacity of the ROBEX series does not exceed 75% of tipping load with the machine on firm, level ground or 87% of full hydraulic capacity.

3. The load point is a hook located on the back of the bucket.

4. (*) indicates load limited by hydraulic capacity.

LIFTING CAPACITY

HX300 L

Rating over-front Rating over-side or 360 degrees

HX300 L HIGH WALKER

6.25 m (20' 6") boom; 2.50 m (8' 2") arm equipped with 1.27 m³ (SAE heaped) bucket and 600 mm (24") triple grouser shoes.

Load point height m (ft)		Load radius										At max. reach		
		1.5 m (5 ft)		3.0 m (10 ft)		4.5 m (15 ft)		6.0 m (20 ft)		7.5 m (25 ft)		Capacity	Reach	
														m (ft)
7.5 m (25 ft)	kg lb											*5190 *11440	*5190 *11440	8.53 (28.0)
6.0 m (20 ft)	kg lb							*6120 *13490	*6120 *13490	*5850 *12900	*5850 *12900	*5350 *11790	4370 9630	9.31 (30.5)
4.5 m (15 ft)	kg lb					*9210 *20300	*9210 *20300	*7260 *16010	*7260 *16010	*6360 *14020	6180 13620	*5560 *12260	3920 8640	9.75 (32.0)
3.0 m (10 ft)	kg lb					*12120 *26720	*12120 *26720	*8640 *19050	8460 18650	*7070 *15590	5930 13070	5520 12170	3720 8200	9.91 (32.5)
1.5 m (5 ft)	kg lb					*14160 *31220	12480 27510	*9860 *21740	8030 17700	*7750 *17090	5690 12540	5550 12240	3730 8220	9.80 (32.2)
Ground Line	kg lb			*10190 *22470	*10190 *22470	*14910 *32870	12200 26900	*10600 *23370	7780 17150	*8220 *18120	5540 12210	5890 12990	3960 8730	9.42 (30.9)
-1.5 m (-5 ft)	kg lb	*13120 *28920	*13120 *28920	*16490 *36350	*16490 *36350	*14720 *32450	12190 26870	*10740 *23680	7700 16980	8240 18170	5500 12130	*6590 *14530	4520 9960	8.71 (28.6)
-3.0 m (-10 ft)	kg lb	*18380 *40520	*18380 *40520	*19430 *42840	*19430 *42840	*13680 *30160	12370 27270	*10110 *22290	7790 17170			*6690 *14750	5760 12700	7.57 (24.8)
-4.5 m (-15 ft)	kg lb			*15750 *34720	*15750 *34720	*11270 *24850	*11270 *24850							

6.25 m (20' 6") boom; 3.05 m (10' 0") arm equipped with 1.27 m³ (SAE heaped) bucket and 600 mm (24") triple grouser shoes.

Load point height m (ft)		Load radius										At max. reach				
		1.5 m (5 ft)		3.0 m (10 ft)		4.5 m (15 ft)		6.0 m (20 ft)		7.5 m (25 ft)		9.0 m (30 ft)		Capacity	Reach	
																m (ft)
7.5 m (25 ft)	kg lb									*3490 *7690	*3490 *7690			*4720 *10410	4650 10250	9.12 (29.9)
6.0 m (20 ft)	kg lb									*5260 *11600	*5260 *11600			*4890 *10780	3940 8690	9.85 (32.3)
4.5 m (15 ft)	kg lb							*6540 *14420	*6540 *14420	*5830 *12850	*5830 *12850	*3060 *6750	*3060 *6750	*5090 *11220	3560 7850	10.26 (33.7)
3.0 m (10 ft)	kg lb					*10970 *24180	*10970 *24180	*7990 *17610	*7990 *17610	*6600 *14550	5940 13100	*4570 *10080	4330 9550	5060 11160	3380 7450	10.41 (34.2)
1.5 m (5 ft)	kg lb			*7330 *16160	*7330 *16160	*13360 *29450	12580 27730	*9330 *20570	8040 17730	*7370 *16250	5670 12500	*5190 *11440	4200 9260	5070 11180	3370 7430	10.31 (33.8)
Ground Line	kg lb			*10950 *24140	*10950 *24140	*14560 *32100	12130 26740	*10260 *22620	7720 17020	*7950 *17530	5470 12060			5340 11770	3550 7830	9.95 (32.6)
-1.5 m (-5 ft)	kg lb	*11760 *25930	*11760 *25930	*15190 *33490	*15190 *33490	*14760 *32540	12020 26500	*10630 *23440	7580 16710	8120 17900	5380 11860			5970 13160	3990 8800	9.29 (30.5)
-3.0 m (-10 ft)	kg lb	*15750 *34720	*15750 *34720	*20440 *45060	*20440 *45060	*14070 *31020	12120 26720	*10310 *22730	7610 16780	*7790 *17170	5440 11990			*6360 *14020	4910 10820	8.24 (27.0)
-4.5 m (-15 ft)	kg lb	*20530 *45260	*20530 *45260	*17540 *38670	*17540 *38670	*12250 *27010	*12250 *27010	*8860 *19530	7850 17310							

6.25 m (20' 6") boom; 3.75 m (12' 4") arm equipped with 1.27 m³ (SAE heaped) bucket and 600 mm (24") triple grouser shoes.

Load point height m (ft)		Load radius										At max. reach				
		1.5 m (5 ft)		3.0 m (10 ft)		4.5 m (15 ft)		6.0 m (20 ft)		7.5 m (25 ft)		9.0 m (30 ft)		Capacity	Reach	
																m (ft)
7.5 m (25 ft)	kg lb													*4180 *9220	4070 8970	9.83 (32.3)
6.0 m (20 ft)	kg lb									*4480 *9880	*4480 *9880	*2810 *6190	*2810 *6190	*4350 *9590	3500 7720	10.50 (34.4)
4.5 m (15 ft)	kg lb									*5120 *11290	*5120 *11290	*4120 *9080	*4120 *9080	*4560 *10050	3170 6990	10.89 (35.7)
3.0 m (10 ft)	kg lb			*15870 *34990	*15870 *34990	*9420 *20770	*9420 *20770	*7100 *15650	*7100 *15650	*5960 *13140	*5960 *13140	*5200 *11460	4360 9610	4570 10080	3020 6660	11.03 (36.2)
1.5 m (5 ft)	kg lb			*10310 *22730	*10310 *22730	*12200 *26900	*12200 *26900	*8600 *18960	8160 17990	*6840 *15080	5710 12590	*5860 *12920	4190 9240	4570 10080	3000 6610	10.93 (35.9)
Ground Line	kg lb	*7490 *16510	*7490 *16510	*11370 *25070	*11370 *25070	*13960 *30780	12230 26960	*9770 *21540	7750 17090	*7580 *16710	5460 12040	6130 13510	4060 8950	4770 10520	3130 6900	10.59 (34.7)
-1.5 m (-5 ft)	kg lb	*10490 *23130	*10490 *23130	*14210 *31330	*14210 *31330	*14650 *32300	11960 26370	*10420 *22970	7530 16600	*8020 *17680	5320 11730	*5010 *11050	3990 8800	5250 11570	3460 7630	9.98 (32.7)
-3.0 m (-10 ft)	kg lb	*13730 *30270	*13730 *30270	*18110 *39930	*18110 *39930	*14450 *31860	11950 26350	*10460 *23060	7480 16490	*7990 *17610	5290 11660			*5950 *13120	4140 9130	9.03 (29.6)
-4.5 m (-15 ft)	kg lb	*17530 *38650	*17530 *38650	*19590 *43190	*19590 *43190	*13260 *29230	12160 26810	*9660 *21300	7600 16700					*6140 *13540	5610 12370	7.60 (24.9)

1. Lifting capacity are based on SAE J1097 and ISO 10567.

2. Lifting capacity of the ROBEX series does not exceed 75% of tipping load with the machine on firm, level ground or 87% of full hydraulic capacity.

3. The load point is a hook located on the back of the bucket.

4. (*) indicates load limited by hydraulic capacity.

ENGINE	STD	OPT
Cummins QSB 6.7 engine	●	
HYDRAULIC SYSTEM		
Intelligent Power Control (IPC)		
3-power mode, 2-work mode, user mode	●	
Variable Power Control	●	
Pump Flow Control	●	
Attachment Mode Flow Control		●
Engine Auto Idle	●	
Engine Auto Shutdown Control		●
Electronic Fan Control	●	
CABIN & INTERIOR		
ISO Standard cabin		
Rise-up type windshield wiper	●	
Radio / USB player	●	
Handsfree mobile phone system with USB	●	
12 volt power outlet (24V DC to 12V DC converter)	●	
Electric horn	●	
All-weather steel cab with 360° visibility	●	
Safety glass windows	●	
Sliding fold-in front window	●	
Sliding side window (LH)	●	
Lockable door	●	
Hot & cool box	●	
Storage compartment & Ashtray	●	
Transparent cabin roof-cover	●	
Sun visor	●	
Door and cab locks, one key	●	
Mechanical suspension seat with heater	●	
Pilot-operated slidable joystick	●	
Console box height adjust system	●	
Automatic climate control		
Air conditioner & heater	●	
Defroster	●	
Starting Aid (air grid heater) for cold weather	●	
Centralized monitoring		
8" LCD display	●	
Engine speed or Trip meter/Accel.	●	
Engine coolant temperature gauge	●	
Max power	●	
Low speed/High speed	●	
Auto idle	●	
Overload	●	
Check Engine	●	
Air cleaner clogging	●	
Indicators	●	
ECO Gauges	●	
Fuel level gauge	●	
Hyd. oil temperature gauge	●	
Fuel warmer	●	
Warnings	●	
Communication error	●	
Low battery	●	
Clock	●	
Cabin lights	●	
Cabin front window rain guard		●
Cabin roof-steel cover		●
Seat		
Adjustable air suspension seat with heater		●
Cabin FOPS/FOG (ISO/DIS 10262) Level 2		
FOPS (Falling Object Protective Structure) - ISO 3449 Level 2		●
FOG (Falling Object Guard)		●
Cabin ROPS (ISO 12117-2)		
ROPS (Roll Over Protective Structure)	●	

SAFETY	STD	OPT
Battery master switch	●	
Rearview camera	●	
AAVM (Advanced Around View Monitoring)		●
Four front working lights	●	
Travel alarm	●	
Rear work lamp		●
Beacon lamp		●
Automatic swing brake	●	
Boom holding system	●	
Arm holding system	●	
Safety lock valve for boom cylinder with overload warning device	●	
Safety lock valve for arm cylinder		●
Swing Lock System		●
Three outside rearview mirrors	●	
OTHER		
Booms		
6.25 m; 20' 6"	●	
10.2 m; 33' 6" Long reach		●
Arms		
2.1 m; 6' 11"		●
2.5 m; 8' 2"		●
3.05 m; 10' 0"	●	
3.75 m; 12' 4"		●
7.85 m; 25' 9" Long reach		●
Removable clean-out dust net for cooler	●	
Removable reservoir tank	●	
Fuel pre-filter	●	
Fuel warmer	●	
Self-diagnostics system	●	
Hi-mate (Remote Management System)	●	
Batteries (2 x 12 V x 160 Ah)	●	
Fuel filler pump (50 l/min)	●	
Single-acting piping kit (breaker, etc.)		●
Double-acting piping kit (clamshell, etc.)	●	
Rotating Piping Kit		●
Quick coupler piping		●
Quick coupler		●
Boom floating control		●
One Pedal Straight Travel System		●
Accumulator for lowering work equipment	●	
Pattern change valve (2 patterns)		●
Fine Swing Control System		●
Tool kit		●
UNDERCARRIAGE		
Lower frame under cover (Additional)		●
Lower frame under cover (Normal)	●	
Track shoes		
Triple grouser shoes (600 mm; 24")	●	
Triple grouser shoes (700 mm; 28")		●
Triple grouser shoes (800 mm; 32")		●
Triple grouser shoes (900 mm; 36")		●
Double grouser shoes (700 mm; 28")		●
Track rail guard	●	
Full track rail guard high walker		●

STD = Standard
OPT = Optional

- * Standard and optional equipment may vary. Contact your Hyundai dealer for more information. The machine may vary according to International standards.
- * The photos may include attachments and optional equipment that are not available in your area.
- * Materials and specifications are subject to change without advance notice.
- * All imperial measurements rounded off to the nearest pound or inch.