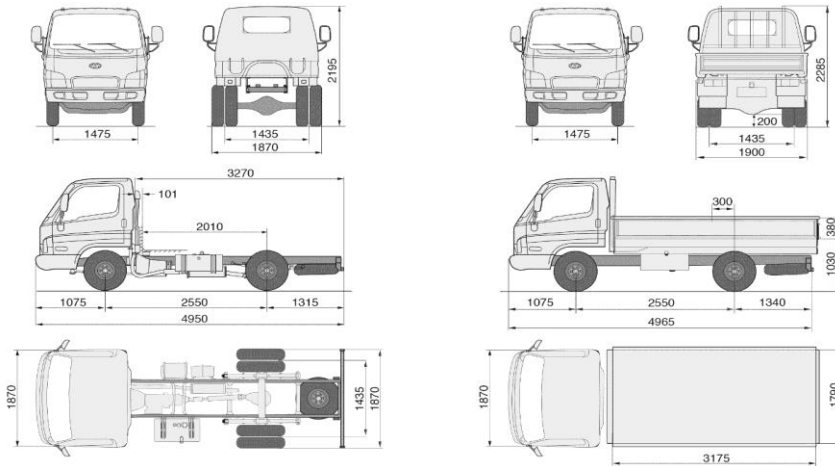


HD65 Cargo Narrow Short Wheelbase

HYUNDAI HD Series

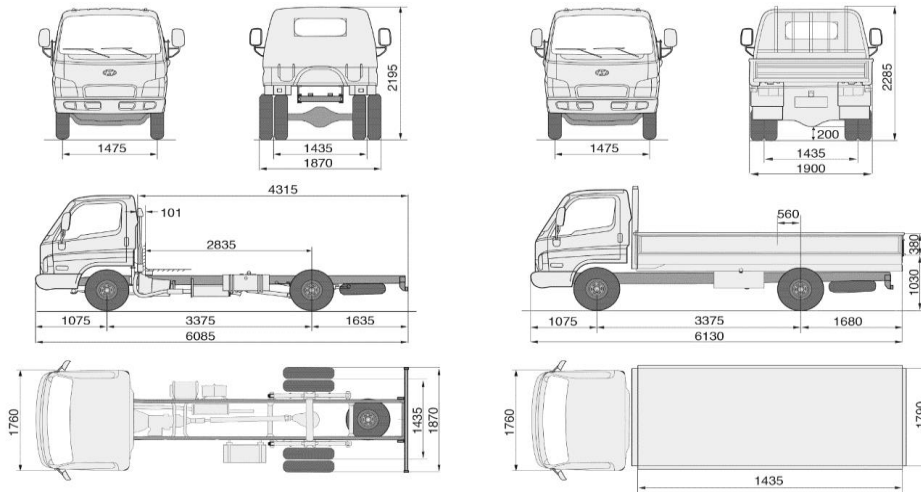


	Width	Narrow	
Cab	Length	Standard	High
Wheel Base	Height	Short	4 X 2
Drive System			
Application Engines			
		D4AF	D4DB-d
			D4DD
Dimensions (mm)			
Wheel Base		2,550	2,700
Overall (Chassis Cab / Cargo)	Length	4,950 / 4,965	5,100 / 5,115
	Width	1,870 / 1,900	1,870 / 1,900
	Height	2,195 / 2,285	2,195 / 2,285
Wheel Tread	Front / Rear		1,475 / 1,435
Overhang (Chassis Cab / Cargo)	Front		1,075 / 1,075
	Rear	1,315 / 1,340	1,315 / 1,345
Deck Size (Cargo)	Length	3,175	3,295
	Width	1,790	1,790
	Height	380	380
	Floor Height	1,030	1,030
C.A (Cab to rear Axle)		2,010	2,160
C.E (Cab to end of frame)		3,270	3,420
Min. Ground Clearance			200
Min. Turning Radius			5.4
Weight (kg)			
Curb Weight		2,235 / 2,590	2,295 / 2,650
(Chassis Cab / Cargo)	Front	1,440 / 1,500	1,490 / 1,550
	Rear	795 / 1,090	805 / 1,100
** Max Gross Vehicle Weight			6,500
	Front / Rear		2,300 / 4,200

** Max. GVW includes the front & rear axle loads based on the permissible tire load.

HD65 Cargo Narrow Long Wheelbase

HYUNDAI HD Series

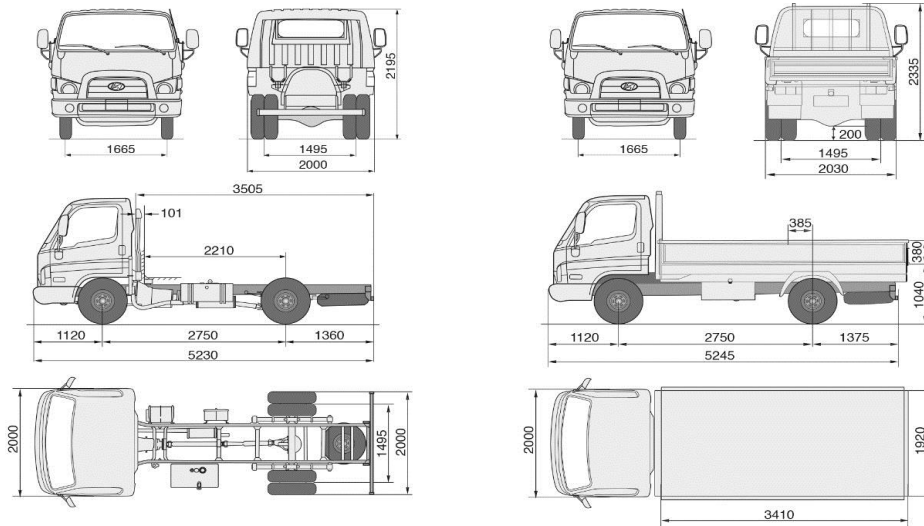


	Width	Narrow			
Cab	Length	Standard			
	Height	High			
Wheel Base	Long				
Drive System		4 X 2			
Application Engines		D4AF	D4DC	D4DB-d	D4DD
Dimensions (mm)					
Wheel Base		3,375			
Overall (Chassis Cab / Cargo)	Length		6,085 / 6,130		6,085 / 6,130
	Width		1,870 / 1,900		1,870 / 1,900
	Height		2,195 / 2,285		2,195 / 2,285
Wheel Tread	Front / Rear		1,475 / 1,435		
	Front		1,075 / 1,075		
Overhang (Chassis Cab / Cargo)	Rear		1,635 / 1,680		1,635 / 1,680
	Length		4,350		4,310
Deck Size (Cargo)	Width		1,790		1,790
	Height		380		380
	Floor Height		1,030		1,030
C.A (Cab to rear Axle)			2,835		
C.E (Cab to end of frame)			4,315		4,415
Min. Ground Clearance			200		
Min. Turning Radius			7.0		
Weight (kg)					
Curb Weight		2,235 / 2,720	2,275 / 2,760	2,295 / 2,780	2,340 / 2,820
(Chassis Cab / Cargo)	Front	1,455 / 1,540	1,495 / 1,570	1,505 / 1,590	1,500 / 1,590
	Rear	780 / 1,180	790 / 1,190	790 / 1,190	840 / 1,230
** Max Gross Vehicle Weight			6,500		
	Front / Rear		2,300 / 4,200		

** Max. GVW includes the front & rear axle loads based on the permissible tire load.

HD65 Cargo Wide Short Wheelbase

HYUNDAI HD Series

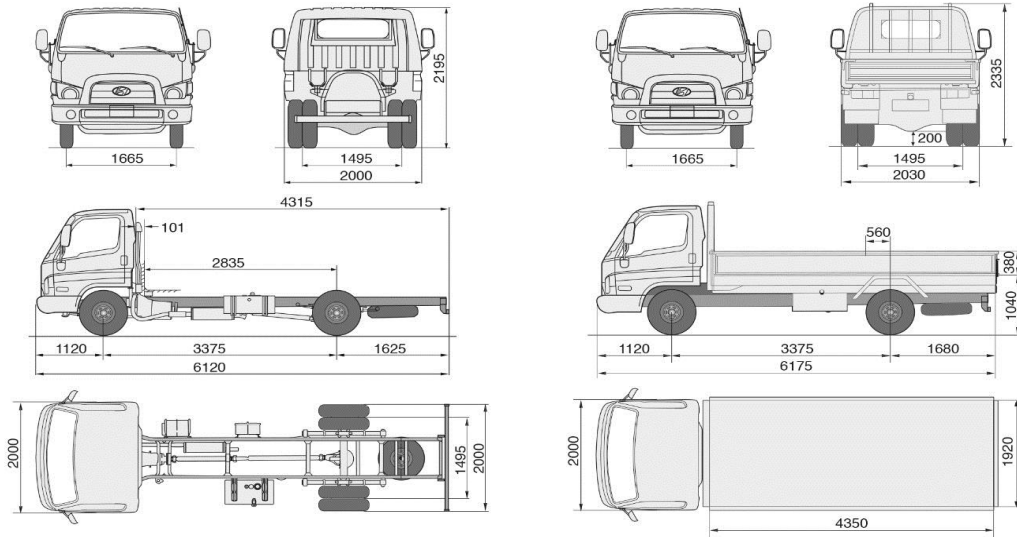


		Wide		Standard	
		High	Short	4 X 2	
Application Engines		D4AF	D4DB-d	D4DD	D4GA
Dimensions (mm)					
Wheel Base		2,750		2,780	2,850
Overall (Chassis Cab / Cargo)	Length	5,230 / 5,245		5,260 / 5,275	5,300 / 5,325
	Width	2,000 / 2,030		2,000 / 2,030	2,000 / 2,030
	Height	2,195 / 2,335		2,250 / 2,335	2,250 / 2,335
Wheel Tread	Front / Rear		1,665 / 1,495		1,680 / 1,495
Overhang (Chassis Cab / Cargo)	Front		1,120 / 1,120		1,120 / 1,120
	Rear		1,360 / 1,375		1,360 / 1,385
Deck Size (Cargo)	Length			3,410	
	Width			1,920	
	Height			380	
	Floor Height	1,040			1,050
C.A (Cab to rear Axle)		2,210		2,240	2,280
C.E (Cab to end of frame)		3,505		3,535	3,570
Min. Ground Clearance		200			195
Min. Turning Radius	m			5.0	
Weight (kg)					
Curb Weight		2,340 / 2,695	2,410 / 2,765	2,410 / 2,845	2,590 / 3,025
(Chassis Cab / Cargo)	Front	1,515 / 1,575	1,565 / 1,625	1,580 / 1,665	1,710 / 1,795
	Rear	825 / 1,120	845 / 1,140	830 / 1,180	880 / 1,230
** Max Gross Vehicle Weight				6,500	
	Front / Rear			2,300 / 4,200	

** Max. GVW includes the front & rear axle loads based on the permissible tire load.

HD65 Cargo Wide Long Wheelbase

HYUNDAI HD Series

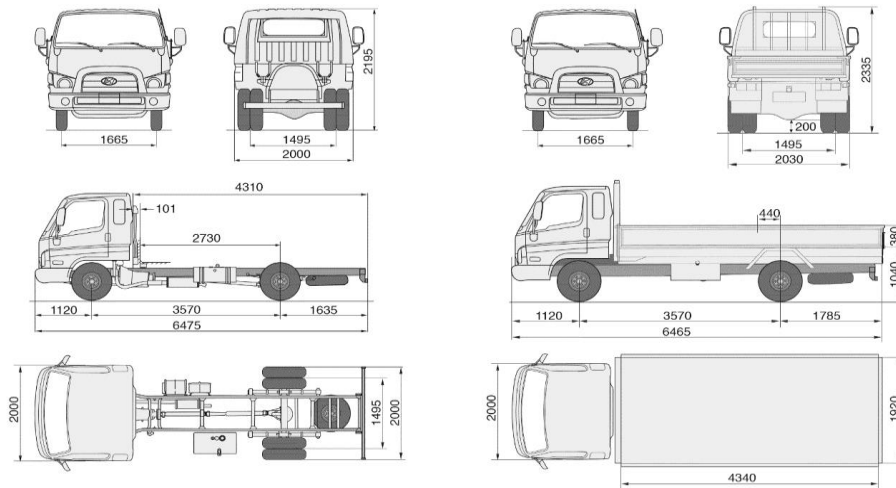


	Width	Wide				
		Length	Standard	High	Long	4 X 2
Cab	Height					
Wheel Base						
Drive System						
Application Engines		D4AF	D4DC	D4DB-d	D4DD	D4GA
Dimensions (mm)						
Wheel Base			3,375			3,415
Overall (Chassis Cab / Cargo)	Length		6,120 / 6,175		6,130 / 6,175	6,170 / 6,225
	Width		2,000 / 2,030		2,000 / 2,030	2,000 / 2,030
	Height		2,195 / 2,335		2,250 / 2,335	2,250 / 2,335
Wheel Tread	Front / Rear		1,665 / 1,495			1,680 / 1,495
Overhang	Front			1,120 / 1,120		
(Chassis Cab / Cargo)	Rear		1,625 / 1,680		1,635 / 1,680	1,635 / 1,690
	Length		4,350			4,310
Deck Size (Cargo)	Width		1,920			1,920
	Height		380			380
	Floor Height		1,040			1,050
C.A (Cab to rear Axle)			2,835		2,835	2,875
C.E (Cab to end of frame)			4,315		4,415	4,455
Min. Ground Clearance				200		195
Min. Turning Radius	m			6.1		
Weight (kg)						
Curb Weight		2,345 / 2,770	2,395 / 2,820	2,415 / 2,840	2,450 / 2,880	2,630 / 3,060
(Chassis Cab / Cargo)	Front	1,545 / 1,590	1,575 / 1,620	1,595 / 1,640	1,590 / 1,620	1,720 / 1,750
	Rear	800 / 1,180	820 / 1,200	820 / 1,200	860 / 1,260	910 / 1,310
** Max Gross Vehicle Weight				6,500		
	Front / Rear			2,300 / 4,200		

** Max. GVW includes the front & rear axle loads based on the permissible tire load.

HD65 Cargo Wide Super Cab Long Wheelbase

HYUNDAI HD Series

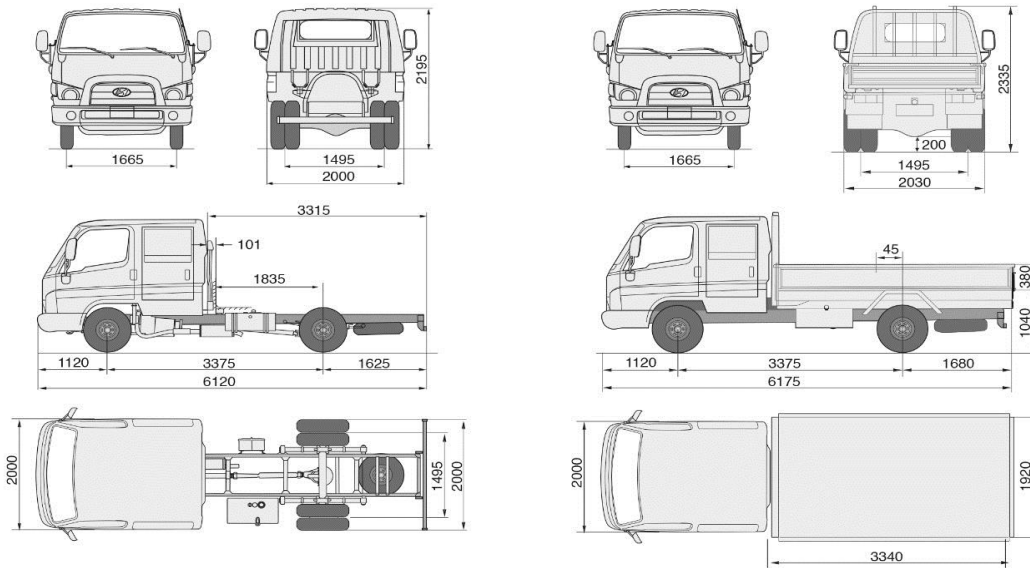


	Width		Wide			
Cab	Length		Super			
	Height		High			
Wheel Base			Long			
Drive System			4 X 2			
Application Engines		D4AF	D4DC	D4DB-d	D4DD	D4GA
Dimensions (mm)						
Wheel Base			3,570			3,610
Overall (Chassis Cab / Cargo)	Length		6,475 / 6,465			6,380 / 6,485
	Width			2,000 / 2,030		
Wheel Tread	Front / Rear		2,195 / 2,335		2,250 / 2,335	2,280 / 2,335
	Front		1,665 / 1,495			1,680 / 1,490
Overhang (Chassis Cab / Cargo)	Front			1,120 / 1,120		
	Rear	1,635 / 1,785			1,650 / 1,785	1,650 / 1,755
Deck Size (Cargo)	Length			4,340		
	Width			1,920		
	Height			380		
	Floor Height		1,040			1,050
C.A (Cab to rear Axle)			2,730			3,070
C.E (Cab to end of frame)			4,310			2,770
Min. Ground Clearance			200			195
Min. Turning Radius	m			6.5		
Weight (kg)						
Curb Weight		2,405 / 2,875	2,405 / 2,875	2,405 / 2,875	2,500 / 2,945	2,680 / 3,125
(Chassis Cab / Cargo)	Front	1,575 / 1,625	1,595 / 1,645	1,595 / 1,645	1,650 / 1,680	1,780 / 1,810
	Rear	830 / 1,250	810 / 1,230	810 / 1,230	850 / 1,265	900 / 1,315
** Max Gross Vehicle Weight				6,500		
	Front / Rear			2,300 / 4,200		

** Max. GVW includes the front & rear axle loads based on the permissible tire load.

HD65 Cargo Wide Doublecab Long Wheelbase

HYUNDAI HD Series



	Width	Wide				
Cab	Length	Double				
	Height	High				
Wheel Base		Long				
Drive System		4 X 2				
Application Engines		D4AF	D4DC	D4DB-d	D4DD	D4GA
Dimensions (mm)						
Wheel Base			3,375			3,415
Overall (Chassis Cab / Cargo)	Length		6,120 / 6,175		6,130 / 6,175	6,170 / 6,225
	Width		2,000 / 2,030		2,000 / 2,030	
	Height		2,195 / 2,335		2,250 / 2,335	
Wheel Tread	Front / Rear		1,665 / 1,495			1,680 / 1,495
Overhang (Chassis Cab / Cargo)	Front		1,120 / 1,120			
	Rear		1,625 / 1,680		1,635 / 1,680	1,635 / 1,690
Deck Size (Cargo)	Length		3,340			3,340
	Width		1,920			1,920
	Height		380			380
	Floor Height		1,040			1,050
C.A (Cab to rear Axle)			1,835			1,875
C.E (Cab to end of frame)			3,315		3,415	3,455
Min. Ground Clearance				200		195
Min. Turning Radius	m			6.1		
Weight (kg)						
Curb Weight		2,560 / 2,880	2,610 / 2,930	2,630 / 2,950	2,655 / 3,070	2,655 / 3,070
(Chassis Cab / Cargo)	Front	1,650 / 1,645	1,680 / 1,675	1,700 / 1,695	1,725 / 1,745	1,725 / 1,745
	Rear	910 / 1,235	930 / 1,255	930 / 1,255	930 / 1,325	930 / 1,325
** Max Gross Vehicle Weight				6,500		
	Front / Rear			2,300 / 4,200		

** Max. GVW includes the front & rear axle loads based on the permissible tire load.

Chassis Specifications
Engine

Model	D4AF	D4DC	D4DB-d	D4DB	D4DD	D4GA14	D4GA15	D4GA17	
Type	Natural Aspiration		TCI						
number of Cylinder	4 stroke-cycle, water-cooled, direct-injection diesel engine								
Piston Displacement (cc)	4 in-line								
Bore x Stroke (mm)	104 x 105	104 x 115	104 x 115			103 x 118			
Compression Ratio	18.0:1	18.1:1	18.0:1		17.5:1	17.0:1			
Max. Power** (ps/rpm)	General	100/3400	-	-	-	-	-	-	
	EuroI	-	120/3200	-	-	-	-	-	
	EuroII	-	-	120/2900	130/2900	-	-	-	
	EuroIII	-	-	-	-	140/2800	-	-	
	EuroIV	-	-	-	-	-	140/2700	150/2500	
	EuroV	-	-	-	-	-	-	-	170/2500
Max. Torque ** (kg.m/rpm)	General	24/2000	-	-	-	-	-	-	
	EuroI	-	30/2000	-	-	-	-	-	
	EuroII	-	-	30/2000	38/1600	-	-	-	
	EuroIII	-	-	-	-	38/1600	-	-	
	EuroIV	-	-	-	-	-	38/1400	59/1400	
Fuel Metering System	EuroV	-	-	-	-	-	-	62/1400	
	Injection pump	In-line System			Common Rail System				
	Governor	Mechanical Type			Electrical Type by ECU				
Cooling System	Fuel filter	Spin-on type					Spin-on type, 2 Filter		
	General	Water-Cooling. Forced circulation by centrifugal water pump							
	Cooling fan	Auto Clutched Type							
Lubrication System	Radiator	Corrugated fin and tube type with pressure cap and condenser tank							
	System	Forced Lubrication oil by gear pump							
	Oil filter	Full flow filter with paper element							
Electrical System	Oil cooler	Shell & tube		Shell & plate					
	Oil grade	CF-4 or above (API Classification)				CI-4 or above (API Classification)			
	Battery	24V-90AH MF							
Valve System	Alternator	24V-40A (D4AF OPT : 24V-25A)			24V-50A		24V-55A		
	Starter	24V-5.0kW							
Valve System	OverHead Valve, 2 Valves per Cylinder					Single OverHead Cam, 4 Valves per Cylinder			

** Max. Power and Torque of engine may vary according to each country.

Clutch

Type	Hydraulic Control, Diaphragm spring, Single dry plate, Pre-Damper (D4AF OPT)							
Facing Material	Non-Asbestos							
Facing Size (mm) Outside dia	Ø275xØ175		Ø275 x Ø180		Ø300 x Ø190		Ø362 x Ø236	
x Inside dia	(STD) Ø275x Ø180 (OPT)							

Transmission									
Engine Model		D4AF M2S5	D4DC	D4DB-d M3S5	D4DB	D4DD M03S5S	D4GA14	D4GA15 T60S5 (OPT: T060S6)	D4GA17
Type				5 Speed Manual				<- (OPT : 6 Speed)	
Gear Ratio	1st	5.494		5.181		5.380		5.810 (6.701)	
	2nd	2.836		2.865		3.028		3.281 (3.712)	
	3rd	1.592		1.593		1.700		1.787 (2.084)	
	4th	1		1.000		1.000		1.000 (1.351)	
	5th	0.746		0.739		0.722		0.705 (1.000)	
	6th	-		-		-		- (0.732)	
	Reverse	5.494		5.181		5.380		5.294 (5.983)	
Gear Oil					SAE75W/85 (GL4, Synthetic)				
TG.S. (Transmission Gear Shift)					Floor shift, Mechanical remote control				
Rear Axle									
Type					Full floating type				
Capacity	kg	4,100			4,400				
Final Reduction Gear	Type				Single Reduction, Hypoid gear				
	G/Ratio	6.666		6.166		5.000 / 5.428	4.625 / 5.000	3.272	3.417 / 3.727
Front Axle									
Type					Reverse Elliot type " 1 " beam				
Capacity	kg				2,300(narrow) / 2,600(wide)				
Tire & Wheel									
Type					Single Front, Dual Rear				
Tire	Front / Rear				7.00R x 16 - 10PR				
Wheel	Front / Rear				5.50 F x 16 SDC-115				
Steering									
Type					2-Spoke, Ball-nut type, Tilt & Telescopic steering column				
Steering Wheel	Manual				410				
Overall Steering	Manual				26.5 ~ 30				
Turning Angle	Inner				38°(Narrow) / 44°(Wide)				
	Outer				28.5°(Narrow) / 34°(Wide)				
Service Brake									
Actuation					Hydraulic with vacuum servo assistance, dual circuit				
Front Size(mm)					Drum diameter x Lining width x Lining thickness : Ø320 x 85 x 10				
Rear Size(mm)									
Adjuster					Auto Adjuster (OPT)		Auto Adjuster (STD)		

HYUNDAI HD Series_HD65 Cargo

Parking Brake

	D4AF	D4DC	D4DB-d	D4DB	D4DD	D4GA14	D4GA15	D4GA17
Engine								
Actuation	Internal expanding type on propellarshaft at the rear of transmission assy							
Size(mm)	Ø180 x 35 x 5 (M*S5 T/M), Ø190 x 45 x 4 (M035S5 T/M), Ø230 x 55 x 4 (T60S* T/M) * cf : Drum diameter x Lining width x Lining thickness							

Auxiliary Brake

Exhaust Brake	Vacuum operated, butterfly valve type
---------------	---------------------------------------

Suspension

Type	Front / Rear	Semi-elliptic, laminated leaf springs with shock absorber
Shock absorber		Hydraulic double acting telescopic type on the front & rear axles

Exhaust system

Type	-	DOC	EGR + DOC + PMC
Tail pipe	Droptail type, blowing to chassis rearward		

Fuel tank

Capacity	100 liter
Material	Steel

Frame

Type	"H" type frame with channel sectional side rail & cross members, side rail is reinforced with outer stiffeners
------	--

Main section side rail dimension (mm)	Depth x Flange x Thickness : 183 x 65 x 6t
---------------------------------------	--

HYUNDAI HD Series_HD65 Cargo

Annotations

- 1) Empty vehicle weight and curb weight shown are to 3.5% variation to allow for production tolerance.
- 2) Empty vehicle weight and curb weight include weight of oil, fuel, coolant and spare tire carrier & bracket, spare tire but exclude standard tool set
- 3) The vehicle specifications may differ per country.
- 4) Hyundai motor company reserves the right to alter the specifications, equipment or options or discontinue the models at any time without prior notice.

25 _Hyundai Commercial Vehicle SPECIFICATIONS