



**STRONG PARTNERS.
TOUGH TRUCKS.™**

FORTENS™



IC COUNTERBALANCED LPG LIFT TRUCKS

H2.0-3.5FT FORTENS / FORTENS ADVANCE / FORTENS ADVANCE+



2000-3500 KG

FORTENS H2.0FT, H2.5FT, H3.0FT, H3.5FT

DISTINGUISHING MARK	1.1	Manufacturer (abbreviation)	
	1.2	Manufacturer's type designation	
		Model	
		Engine / transmission	
		Brake Type	
	1.3	Drive: electric (battery or mains), diesel, petrol, LPG	
	1.4	Operator type: hand, pedestrian, standing, seated, order-picker	
	1.5	Rated capacity/rated load	Q (t)
	1.6	Load centre distance	c (mm)
1.8	Load distance, centre of drive axle to fork	x (mm)	
1.9	Wheelbase	y (mm)	

WEIGHTS	2.1	Service weight	kg
	2.2	Axle loading laden, front/rear	kg
	2.3	Axle loading unladen, front/rear	kg

TYRES/CHASSIS	3.1	Tyres: L=pneumatic, V=solid, SE=pneumatic-shaped solid	
	3.2	Tyre size, front	
	3.3	Tyre size, rear	
	3.5	Number of wheels, front/rear (X = driven)	
	3.6	Tread, front	b ₁₀ (mm)
	3.7	Tread, rear	b ₁₁ (mm)

DIMENSIONS	4.1	Tilt of mast / fork carriage forward / backward	α / β (°)
	4.2	Height, mast lowered	h ₁ (mm)
	4.3	Free lift †	h ₂ (mm)
	4.4	Lift †	h ₃ (mm)
	4.5	Height, mast extended †	h ₄ (mm)
	4.7	Height of overhead guard (cabin) ■	h ₅ (mm)
	4.7.1	Cab height (open cab)	mm
	4.8	Seat height relating to SIP/stand height ○	h ₇ (mm)
	4.12	Coupling height	h ₁₀ (mm)
	4.19	Overall length	l ₁ (mm)
	4.20	Length to face of forks	l ₂ (mm)
	4.21	Overall width †	b ₁ (mm)
	4.22	Fork dimensions DIN ISO 2331	s/e/l (mm)
	4.23	Fork carriage ISO 2328, class/type A, B	
	4.24	Fork carriage width ●	b ₃ (mm)
	4.31	Ground clearance, laden, below mast	m ₁ (mm)
	4.32	Ground clearance, centre of wheelbase	m ₂ (mm)
	4.33	Load dimension b ₁₂ × l ₃ crossways	b ₁₂ × l ₃ (mm)
	4.34	Aisle width predetermined load dimensions	A ₁ (mm)
	4.34.1	Aisle width for pallets 1000 × 1200 crossways ◆	A ₁ (mm)
	4.34.2	Aisle width for pallets 800 × 1200 lengthways ◆	A ₂ (mm)
	4.35	Turning radius	W (mm)
	4.36	Internal turning radius	b ₁₃ (mm)
4.41	90° intersecting aisle (with pallet W = 1200mm, L = 1000mm)		
4.42	Step height (from ground to running board)	(mm)	
4.43	Step height (between intermediate steps between running board and floor)	(mm)	

PERFORMANCE DATA	5.1	Travel speed, laden/unladen	km/h
	5.1.1	Travel speed, laden/unladen, backwards	km/h
	5.2	Lift speed, laden/unladen	m/s
	5.3	Lowering speed, laden/unladen	m/s
	5.5	Drawbar pull, laden/unladen ■	N
	5.7	Gradeability, laden/unladen †	%
	5.9	Acceleration time, laden/unladen	s
	5.10	Service brake	

COMBUSTION ENGINE	7.1	Engine manufacturer / type	
	7.2	Engine power according to ISO 1585	kW
	7.3	Rated speed	min ⁻¹
	7.4	Number of cylinders/displacement	(-)/cm ³
	7.5	Fuel consumption according to VDI cycle ☉	l/h or kg/h

ADDITIONAL DATA	8.1	Type of drive unit	
	10.1	Operating pressure for attachments	bar
	10.2	Oil volume for attachments †	l/min
	10.3	Hydraulic oil tank, capacity	litres
	10.4	Fuel tank, capacity	kg
	10.7	Sound pressure level at the driver's seat †	dB(A)
	10.7.1	Sound power level during the workcycle ◆	dB(A)
	10.7.2	Guaranteed sound power 2000/14/EC	dB(A)
	10.8	Towing coupling type	

HYSTER		HYSTER		HYSTER		HYSTER	
H2.0FT	H2.0FT	H2.5FT	H2.5FT	H2.5FT	H2.5FT	H2.5FT	H2.5FT
Fortens	Fortens Advance	Fortens	Fortens Advance	Fortens	Fortens Advance	Fortens	Fortens Advance
PSI 2.4L	PSI 2.4L	PSI 2.4L	PSI 2.4L	PSI 2.4L	PSI 2.4L	PSI 2.4L	PSI 2.4L
Electronic Powershift	DuraMatch™	Electronic Powershift	DuraMatch™	Electronic Powershift	DuraMatch™	Electronic Powershift	DuraMatch™
1-Speed	1-Speed	1-Speed	1-Speed	1-Speed	1-Speed	1-Speed	1-Speed
Drum Brakes	ADS Drum or Wet Brakes	Drum Brakes	ADS Drum or Wet Brakes	Drum Brakes	ADS Drum or Wet Brakes	Drum Brakes	ADS Drum or Wet Brakes
LPG	LPG	LPG	LPG	LPG	LPG	LPG	LPG
Seated	Seated	Seated	Seated	Seated	Seated	Seated	Seated
2.0	2.0	2.5	2.5	2.5	2.5	2.5	2.5
500	500	500	500	500	500	500	500
471	471	471	471	471	471	471	471
1623	1623	1623	1623	1623	1623	1623	1623

3515	3515	3853	3853				
5003	512	5003	512	5732	621	5732	621
1807	1708	1807	1708	1737	2116	1737	2116

SE		SE		SE		SE	
7.00 x 12 - 12	7.00 x 12 - 12	7.00 x 12 - 12	7.00 x 12 - 12	7.00 x 12 - 12	7.00 x 12 - 12	7.00 x 12 - 12	7.00 x 12 - 12
6.00 x 9	6.00 x 9	6.00 x 9	6.00 x 9	6.00 x 9	6.00 x 9	6.00 x 9	6.00 x 9
2x	2	2x	2	2x	2	2x	2
965	965	965	965	965	965	965	965
967	967	967	967	967	967	967	967

6	5	6	5	6	5	6	5				
2170	2170	2170	2170	2170	2170	2170	2170				
140	140	140	140	140	140	140	140				
3250	3250	3250	3250	3250	3250	3250	3250				
3900	3900	3900	3900	3900	3900	3900	3900				
2160	2160	2160	2160	2160	2160	2160	2160				
2181	2181	2181	2181	2181	2181	2181	2181				
1061	1061	1061	1061	1061	1061	1061	1061				
365	365	365	365	365	365	365	365				
3486	3486	3559	3559	3559	3559	3559	3559				
2486	2486	2559	2559	2559	2559	2559	2559				
1157	1317	1601	1157	1317	1601	1157	1317	1601	1157	1317	1601
40 x 100 x 1000	40 x 100 x 1000	40 x 100 x 1000	40 x 100 x 1000	40 x 100 x 1000	40 x 100 x 1000	40 x 100 x 1000	40 x 100 x 1000				
II A	II A	II A	II A	II A	II A	II A	II A				
1070	1070	1070	1070	1070	1070	1070	1070				
107	107	107	107	107	107	107	107				
160	160	160	160	160	160	160	160				
1000 x 1200	1000 x 1200	1000 x 1200	1000 x 1200	1000 x 1200	1000 x 1200	1000 x 1200	1000 x 1200				
3820	3820	3887	3887	3887	3887	3887	3887				
3820	3820	3887	3887	3887	3887	3887	3887				
4020	4020	4087	4087	4087	4087	4087	4087				
2149	2149	2216	2216	2216	2216	2216	2216				
629	629	629	629	629	629	629	629				
1987	1987	2020	2020	2020	2020	2020	2020				
707	702	707	702	707	702	707	702				
382	382	382	382	382	382	382	382				

17.3	18.0	17.3	18.0	17.3	18.0	17.3	18.0
17.3	18.0	17.3	18.0	17.3	18.0	17.3	18.0
0.61	0.63	0.61	0.63	0.61	0.63	0.61	0.63
0.58	0.50	0.58	0.50	0.58	0.50	0.58	0.50
18720	11570	18720	11570	18580	11450	18580	11450
24.7	29.8	24.7	29.8	21.1	29.0	21.1	29.0
4.8	4.3	4.8	4.3	5.1	4.4	5.1	4.4
Hydraulic	Hydraulic	Hydraulic	Hydraulic	Hydraulic	Hydraulic	Hydraulic	Hydraulic

PSI 2.4L	PSI 2.4L	PSI 2.4L	PSI 2.4L				
44.0	44.0	44.0	44.0				
2700	2700	2700	2700				
4	2351	4	2351	4	2351	4	2351
2.5	2.5	2.7	2.7				

Automatic	Automatic	Automatic	Automatic
0 - 155	0 - 155	0 - 155	0 - 155
62	62	62	62
45.8	45.8	45.8	45.8
15.2	15.2	15.2	15.2
77	77	77	77
97	97	97	97
101	101	101	101
Pin	Pin	Pin	Pin

HYSTER		HYSTER		HYSTER		HYSTER	
H3.0FT	H3.0FT	H3.5FT	H3.5FT	H3.5FT	H3.5FT	H3.5FT	H3.5FT
Fortens	Fortens Advance	Fortens	Fortens Advance	Fortens	Fortens Advance	Fortens	Fortens Advance
PSI 2.4L	PSI 2.4L	PSI 2.4L	PSI 2.4L	PSI 2.4L	PSI 2.4L	PSI 2.4L	PSI 2.4L
Electronic Powershift	DuraMatch™	Electronic Powershift	DuraMatch™	Electronic Powershift	DuraMatch™	Electronic Powershift	DuraMatch™
1-Speed	1-Speed	1-Speed	1-Speed	1-Speed	1-Speed	1-Speed	1-Speed
Drum Brakes	ADS Drum or Wet Brakes	Drum Brakes	ADS Drum or Wet Brakes	Drum Brakes	ADS Drum or Wet Brakes	Drum Brakes	ADS Drum or Wet Brakes
LPG	LPG	LPG	LPG	LPG	LPG	LPG	LPG
Seated	Seated	Seated	Seated	Seated	Seated	Seated	Seated
3.0	3.0	3.5	3.5	3.5	3.5	3.5	3.5
500	500	500	500	500	500	500	500
483	483	483	483	483	483	483	483
1623	1623	1700	1700	1700	1700	1700	1700

4329	4329	4646	4646	2.1				
6619	710	6619	710	7283	863	7283	863	2.2
1802	2527	1802	2527	1761	2885	1761	2885	2.3

SE		SE		SE		SE	
28 x 9 - 15	28 x 9 - 15	28 x 9 - 15	28 x 9 - 15	28 x 9 - 15	28 x 9 - 15	28 x 9 - 15	28 x 9 - 15
6.50 x 10	6.50 x 10	6.50 x 10	6.50 x 10	6.50 x 10	6.50 x 10	6.50 x 10	6.50 x 10
2x	2	2x	2	2x	2	2x	2
965	965	965	965	965	965	965	965
967	967	967	967	967	967	967	967

6	5	6	5	6	5	6	5	4.1	
2195	2195	2195	2195	2195	2195	2195	2195	4.2	
140	140	140	140	140	140	140	140	4.3	
3055	3055	3055	3055	3055	3055	3055	3055	4.4	
3805	3805	3805	3805	3805	3805	3805	3805	4.5	
2185	2185	2185	2185	2185	2185	2185	2185	4.7	
2206	2206	2206	2206	2206	2206	2206	2206	4.7.1	
1086	1086	1086	1086	1086	1086	1086	1086	4.8	
390	390	390	390	390	390	390	390	4.12	
3633	3633	3734	3734	3734	3734	3734	3734	4.19	
2633	2633	2734	2734	2734	2734	2734	2734	4.20	
1186	1321	1601	1186	1321	1601	1186	1321	1601	4.21
50 x 120 x 1000	50 x 120 x 1000	50 x 120 x 1000	50 x 120 x 1000	50 x 120 x 1000	50 x 120 x 1000	50 x 120 x 1000	50 x 120 x 1000	4.22	
III A	III A	III A	III A	III A	III A	III A	III A	4.23	
1070	1070	1070	1070	1070	1070	1070	1070	4.24	
132	132	132	132	132	132	132	132	4.31	
185	185	185	185	185	185	185	185	4.32	
1000 x 1200	1000 x 1200	1000 x 1200	1000 x 1200	1000 x 1200	1000 x 1200	1000 x 1200	1000 x 1200	4.33	
3960	3960	4063	4063	4063	4063	4063	4063	4.34	
3960	3960	4063	4063	4063	4063	4063	4063	4.34.1	
4160	4160	4263	4263	4263	4263	4263	4263	4.34.2	
2277	2277	2380	2380	2380	2380	2380	2380	4.35	
618	618	647	647	647	647	647	647	4.36	
2077	2077	2111	2111	2111	2111	2111	2111	4.41	
727	727	727	727	727	727	727	727	4.42	
407	407	407	407	407	407	407	407	4.43	

19.1	20.3	19.1	20.3	19.1	20.3	19.1	20.3	5.1
19.1	20.3	19.1	20.3	19.1	20.3	19.1	20.3	5.1.1
0.53	0.55	0.53	0.55	0.53	0.55	0.53	0.55	5.2
0.53	0.47	0.53	0.47	0.53	0.47	0.53	0.47	5.3
17054	11708	17054	11708	16905	12594	16905	12594	5.5
16.9	25.0	16.9	25.0	15.0	23.0	15.0	23.0	5.7
5.3	4.5	5.3	4.5	5				

FORTENS ADVANCE+ H2.0FT, H2.5FT

DISTINGUISHING MARK	1.1	Manufacturer (abbreviation)	
	1.2	Manufacturer's type designation	
		Model	
		Engine / transmission	
		Brake Type	
	1.3	Drive: electric (battery or mains), diesel, petrol, LPG	
	1.4	Operator type: hand, pedestrian, standing, seated, order-picker	
	1.5	Rated capacity/rated load	Q (t)
	1.6	Load centre distance	c (mm)
1.8	Load distance, centre of drive axle to fork	x (mm)	
1.9	Wheelbase	y (mm)	

WEIGHTS	2.1	Service weight	kg
	2.2	Axle loading laden, front/rear	kg
	2.3	Axle loading unladen, front/rear	kg

TYRES/CHASSIS	3.1	Tyres: L=pneumatic, V=solid, SE=pneumatic-shaped solid	
	3.2	Tyre size, front	
	3.3	Tyre size, rear	
	3.5	Number of wheels, front/rear (X = driven)	
	3.6	Tread, front	b ₁₀ (mm)
	3.7	Tread, rear	b ₁₁ (mm)

DIMENSIONS	4.1	Tilt of mast / fork carriage forward / backward	α / β (°)
	4.2	Height, mast lowered	h ₁ (mm)
	4.3	Free lift †	h ₂ (mm)
	4.4	Lift †	h ₃ (mm)
	4.5	Height, mast extended †	h ₄ (mm)
	4.7	Height of overhead guard (cabin) ■	h ₅ (mm)
	4.7.1	Cab height (open cab)	mm
	4.8	Seat height relating to SIP/stand height ○	h ₇ (mm)
	4.12	Coupling height	h ₁₀ (mm)
	4.19	Overall length	l ₁ (mm)
	4.20	Length to face of forks	l ₂ (mm)
	4.21	Overall width †	b ₁ (mm)
	4.22	Fork dimensions DIN ISO 2331	s/e/l (mm)
	4.23	Fork carriage ISO 2328, class/type A, B	
	4.24	Fork carriage width ●	b ₃ (mm)
	4.31	Ground clearance, laden, below mast	m ₁ (mm)
	4.32	Ground clearance, centre of wheelbase	m ₂ (mm)
	4.33	Load dimension b ₁₂ × l ₄ crossways	b ₁₂ × l ₄ (mm)
	4.34	Aisle width predetermined load dimensions	A ₁₀ (mm)
	4.34.1	Aisle width for pallets 1000 × 1200 crossways ◆	A ₁₀ (mm)
	4.34.2	Aisle width for pallets 800 × 1200 lengthways ◆	A ₁₀ (mm)
4.35	Turning radius	W (mm)	
4.36	Internal turning radius	b ₁₃ (mm)	
4.41	90° intersecting aisle (with pallet W = 1200mm, L = 1000mm)		
4.42	Step height (from ground to running board)	(mm)	
4.43	Step height (between intermediate steps between running board and floor)	(mm)	

PERFORMANCE DATA	5.1	Travel speed, laden/unladen	km/h
	5.1.1	Travel speed, laden/unladen, backwards	km/h
	5.2	Lift speed, laden/unladen	m/s
	5.3	Lowering speed, laden/unladen	m/s
	5.5	Drawbar pull, laden/unladen ■	N
	5.7	Gradeability, laden/unladen †	%
	5.9	Acceleration time, laden/unladen	sec
	5.10	Service brake	

COMBUSTION-ENGINE	7.1	Engine manufacturer/type	
	7.2	Engine power according to ISO 1585	kW
	7.3	Rated speed	rpm
	7.4	Number of cylinders/displacement	cm ³
	7.5	Fuel consumption according to VDI cycle ●	l/h or kg/h

ADDITIONAL DATA	8.1	Type of drive unit	
	10.1	Operating pressure for attachments	bar
	10.2	Oil volume for attachments †	l/min
	10.3	Hydraulic oil tank, capacity	litres
	10.4	Fuel tank, capacity	kg
	10.7	Sound pressure level at the driver's seat †	dB(A)
	10.7.1	Sound power level during the workcycle †	dB(A)
	10.7.2	Guaranteed sound power 2000/14/EC	dB(A)
	10.8	Towing coupling type	

HYSTER		HYSTER		HYSTER		HYSTER	
H2.0FT		H2.0FT		H2.5FT		H2.5FT	
Fortens Advance +		Fortens Advance +		Fortens Advance +		Fortens Advance +	
Kubota 2.5L		Kubota 2.5L		Kubota 2.5L		Kubota 2.5L	
DuraMatch™		DuraMatch™ 2		DuraMatch™		DuraMatch™ 2	
1-Speed		2-Speed		1-Speed		2-Speed	
Wet Brakes		Wet Brakes		Wet Brakes		Wet Brakes	
LPG		LPG		LPG		LPG	
Seated		Seated		Seated		Seated	
2.0		2.0		2.5		2.5	
500		500		500		500	
471		471		471		471	
1623		1623		1623		1623	

3515		3515		3853		3853	
5003	512	5003	512	5732	621	5732	621
1807	1708	1807	1708	1737	2116	1737	2116

SE		SE		SE		SE	
7.00 x 12 - 12		7.00 x 12 - 12		7.00 x 12 - 12		7.00 x 12 - 12	
6.00 x 9		6.00 x 9		6.00 x 9		6.00 x 9	
2x	2	2x	2	2x	2	2x	2
965		965		965		965	
967		967		967		967	

6		5		6		5		6		5		6		5	
2170		2170		2170		2170		2170		2170		2170		2170	
140		140		140		140		140		140		140		140	
3250		3250		3250		3250		3250		3250		3250		3250	
3900		3900		3900		3900		3900		3900		3900		3900	
2160		2160		2160		2160		2160		2160		2160		2160	
2181		2181		2181		2181		2181		2181		2181		2181	
1061		1061		1061		1061		1061		1061		1061		1061	
365		365		365		365		365		365		365		365	
3486		3486		3559		3559		3559		3559		3559		3559	
2486		2486		2559		2559		2559		2559		2559		2559	
1157	1317	1601	1157	1317	1601	1157	1317	1601	1157	1317	1601	1157	1317	1601	
40 x 100 x 1000		40 x 100 x 1000		40 x 100 x 1000		40 x 100 x 1000		40 x 100 x 1000		40 x 100 x 1000		40 x 100 x 1000		40 x 100 x 1000	
II A		II A		II A		II A		II A		II A		II A		II A	
1070		1070		1070		1070		1070		1070		1070		1070	
107		107		107		107		107		107		107		107	
160		160		160		160		160		160		160		160	
1000 x 1200		1000 x 1200		1000 x 1200		1000 x 1200		1000 x 1200		1000 x 1200		1000 x 1200		1000 x 1200	
3820		3820		3887		3887		3887		3887		3887		3887	
3820		3820		3887		3887		3887		3887		3887		3887	
4020		4020		4087		4087		4087		4087		4087		4087	
2149		2149		2216		2216		2216		2216		2216		2216	
629		629		629		629		629		629		629		629	
1987		1987		2020		2020		2020		2020		2020		2020	
702		702		702		702		702		702		702		702	
382		382		382		382		382		382		382		382	

16.7		17.0		20.8		21.2		16.7		17.0		20.8		21.2	
16.7		17.0		16.3		16.6		16.7		17.0		16.3		16.6	
0.62		0.64		0.58		0.61		0.62		0.64		0.57		0.61	
0.58		0.50		0.58		0.50		0.58		0.50		0.58		0.50	
19085		11000		20875		11000		18946		10500		20825		10500	
25.5		32.1		26.5		32.1		21.8		28.0		22.7		28.0	
4.5		4.0		4.9		4.3		4.7		4.1		5.1		4.4	
Hydraulic		Hydraulic		Hydraulic		Hydraulic		Hydraulic		Hydraulic		Hydraulic		Hydraulic	

Kubota 2.5L		Kubota 2.5L		Kubota 2.5L		Kubota 2.5L	
43.9		43.9		43.9		43.9	
2500		2500		2500		2500	
4	2491	4	2491	4	2491	4	2491
2.6		2.7		2.8		2.9	

Automatic		Automatic		Automatic		Automatic	
0 - 155		0 - 155		0 - 155		0 - 155	
66		66		66		66	
45.8		45.8		45.8		45.8	
15.2		15.2		15.2		15.2	
78		78		78		78	
96		96		96		96	
100		100		100		100	
Pin		Pin		Pin		Pin	

HYSTER		HYSTER		HYSTER		HYSTER	
H3.0FT		H3.0FT		H3.5FT		H3.5FT	
Fortens Advance +		Fortens Advance +		Fortens Advance +		Fortens Advance +	
Kubota 2.5L		Kubota 2.5L		Kubota 2.5L		Kubota 2.5L	
DuraMatch™		DuraMatch™ 2		DuraMatch™		DuraMatch™ 2	
1-Speed		2-Speed		1-speed		2-speed	
Wet Brakes		Wet Brakes		Wet Brakes		Wet Brakes	
LPG		LPG		LPG		LPG	
Seated		Seated		Seated		Seated	
3.0		3.0		3.5		3.5	
500		500		500		500	
483		483		483		483	
1623		1623		1700		1700	

4329		4329		4646		4646		2.1	
6619	710	6619	710	7283	863	7283	863	2.2	
1802	2527	1802	2527	1761	2885	1761	2885	2.3	

SE		SE		SE		SE		3.1	
28 x 9 - 15		28 x 9 - 15		28 x 9 - 15		28 x 9 - 15		3.2	
6.50 x 10		6.50 x 10		6.50 x 10		6.50 x 10		3.3	
2x	2	2x	2	2x	2	2x	2	3.5	
965		965		965		965		3.6	
967		967		967		967		3.7	

6		5		6		5		6		5		6		5		4.1	
2195		2195		2195		2195		2195		2195		2195		2195		4.2	
140		140		140		140		140		140		140		140		4.3	
3055		3055		3055		3055		3055		3055		3055		3055		4.4	
3805		3805		3805		3805		3805		3805		3805		3805		4.5	
2185		2185		2185		2185		2185		2185		2185		2185		4.7	
2206		2206		2206		2206		2206		2206		2206		2206		4.7.1	
1086		1086		1086		1086		1086		1086		1086		1086		4.8	
390		390		390		390		390		390		390		390		4.12	
3633		3633		3734		3734		3734		3734		3734		3734		4.19	
2633		2633		2734		2734		2734		2734		2734		2734		4.20	
1186	1321	1601	1186	1321	1601	1186	1321	1601	1186	1321	1601	1186	1321	1601	4.21		
50 x 120 x 1000		50 x 120 x 1000		50 x 120 x 1000		50 x 120 x 1000		50 x 120 x 1000		50 x 120 x 1000		50 x 120 x 1000		50 x 120 x 1000		4.22	
III A		III A		III A		III A		III A		III A		III A		III A		4.23	
1070		1070		1070		1070		1070		1070		1070		1070		4.24	
132		132		132		132		132		132		132		132		4.31	
185		185		185		185		185		185		185		185		4.32	
1000 x 1200		1000 x 1200		1000 x 1200		1000 x 1200		1000 x 1200		1000 x 1200		1000 x 1200		1000 x 1200		4.33	
3960		3960		4063		4063		4063		4063		4063		4063		4.34	
3960		3960		4063		4063		4063		4063		4063		4063		4.34.1	
4160		4160		4263		4263		4263		4263		4263		4263		4.34.2	
2277		2277		2380		2380		2380									

MAST AND CAPACITY INFORMATION

H2.0-2.5FT MASTS

	Maximum fork height (mm)	Back tilt	Overall lowered height (mm)	Overall Extended height (mm)	Free lift (top of forks) (mm)
2-stage Limited Free Lift	3290	5°	2170	4515 ❖	140 ▽
	3790	5°	2420	5015 ❖	140 ▽
	4330	5°	2770	5555 ❖	140 ▽
	4830	5°	3020	6055 ❖	140 ▽
2-stage Full Free Lift	3300	5°	2170	4525 ❖	1555 ▽
3-stage Full Free Lift	4350	5°	1970	5570 ❖	1380 ▽
	4950	5°	2170	6170 ❖	1580 ▽
	5550	5°	2420	6770 ❖	1830 ▽
	6000	5°	2620	7220 ❖	2030 ▽

H3.0-3.5FT MASTS

	Maximum fork height (mm)	Back tilt	Overall lowered height (mm)	Overall Extended height (mm)	Free lift (top of forks) (mm)
2-stage Limited Free Lift	3105	5°	2195	4335 ❖	150 ▽
	3605	5°	2445	4835 ❖	150 ▽
	4105	5°	2795	5335 ❖	150 ▽
	4605	5°	3045	5835 ❖	150 ▽
2-stage Full Free Lift	3110	5°	2195	4335 ❖	1495 ▽
3-stage Full Free Lift	4015	5°	1995	5245 ❖	1315 ▽
	4615	5°	2195	5845 ❖	1515 ▽
	4915	5°	2345	6145 ❖	1665 ▽
	5215	5°	2445	6445 ❖	1765 ▽
	5815	5°	2695	7045 ❖	2015 ▽

H2.0-3.5FT - Capacity Chart in kg @ 500mm Load Centre

Maximum fork height (mm)	Pneumatic Shaped Solid Tyres									
	Without sideshift		With ISS & FP		Maximum fork height (mm)	Without sideshift		With ISS & FP		
	H2.0FT	H2.5FT	H2.0FT	H2.5FT		H3.0FT	H3.5FT	H3.0FT	H3.5FT	
2-stage Limited Free Lift	3290	2000	2500	2000	2500	3105	3000	3500	2970	3490
3790	2000	2500	2000	2500	3605	3000	3500	2950	3480	
4330	2000	2500	1990	2480	4105	3000	3500	2940	3460	
4830	1910	2400	1890	2370	4605	2890	3390	2830	3340	
2-stage Full Free Lift	3300	2000	2500	2000	2500	3110	3000	3500	2960	3490
3-stage Full Free Lift	4350	2000	2500	1970	2500	4015	3000	3500	2930	3460
	4950	1890	2370	1850	2370	4615	2900	3400	2830	3350
	5550	1760	2240 ◀	1720	2220 ◀	4915	2840	3320 ◀	2760	3260
	6000	1660	2120 ◀	1600	2090 ◀	5215	2740	3250 ◀	2680	3180 ◀
						5815	2610 ◀	2950 ◀	2510 ◀	2970 ◀

H2.0-3.5FT - Capacity Chart in kg @ 600mm Load Centre

Maximum fork height (mm)	Pneumatic Shaped Solid Tyres									
	Without sideshift		With ISS & FP		Maximum fork height (mm)	Without sideshift		With ISS & FP		
	H2.0FT	H2.5FT	H2.0FT	H2.5FT		H3.0FT	H3.5FT	H3.0FT	H3.5FT	
2-stage Limited Free Lift	3290	1920	2370	1840	2280	3105	2820	3310	2700	3180
3790	1910	2360	1830	2270	2700	3605	2810	3300	2690	3170
4330	1890	2350	1810	2250	2500	4105	2790	3290	2670	3150
4830	1800	2240	1720	2150	2100	4605	2690	3170	2570	3040
2-stage Full Free Lift	3300	1920	2380	1840	2280	3110	2820	3310	2700	3180
3-stage Full Free Lift	4350	1880	2380	1790	2280	4015	2800	3290	2670	3150
	4950	1760	2250	1690	2160	4615	2700	3190	2580	3050
	5550	1630	2110 ◀	1570	2020 ◀	4915	2630	3110 ◀	2510	2980
	6000	1530	1990 ◀	1460	1900 ◀	5215	2560	3030 ◀	2440	2900 ◀
						5815	2400 ◀	2860 ◀	2290 ◀	2730 ◀

H2.0-3.5FT - Capacity Chart in kg @ 500mm Load Centre

Maximum fork height (mm)	Pneumatic Radial Tyres									
	Without sideshift		With ISS & FP		Maximum fork height (mm)	Without sideshift		With ISS & FP		
	H2.0FT	H2.5FT	H2.0FT	H2.5FT		H3.0FT	H3.5FT	H3.0FT	H3.5FT	
2-stage Limited Free Lift	3290	2000	2500	2000	2500	3105	3000	3500	2970	3490
3790	2000	2500	2000	2500	3605	3000	3500	2950	3480	
4330	2000	2500	1990	2480	4105	3000	3500	2940	3460	
4830	1900	2390 ◀	1890	2360 ◀	4605	2890	3340	2820	3340	
2-stage Full Free Lift	3300	2000	2500	2000	2500	3110	3000	3500	2960	3490
3-stage Full Free Lift	4350	2000	2500 ◀	1970	2500 ◀	4015	3000	3500 ◀	2930	3430
	4950	1880	2370 ◀	1850	2370 ◀	4615	2900	3400 ◀	2830	3350 ◀
	5550	1760	2240 ◀	1710	2220 ◀	4915	2830	3330 ❖	2750 ◀	3270 ❖
	6000	1650	2130 ❖	1600	2100 ❖	5215	2760	3250 ❖	2680	3190 ❖
						5815	2610 ❖	3080 ❖	2510 ❖	3000 ❖

H2.0-3.5FT - Capacity Chart in kg @ 600mm Load Centre

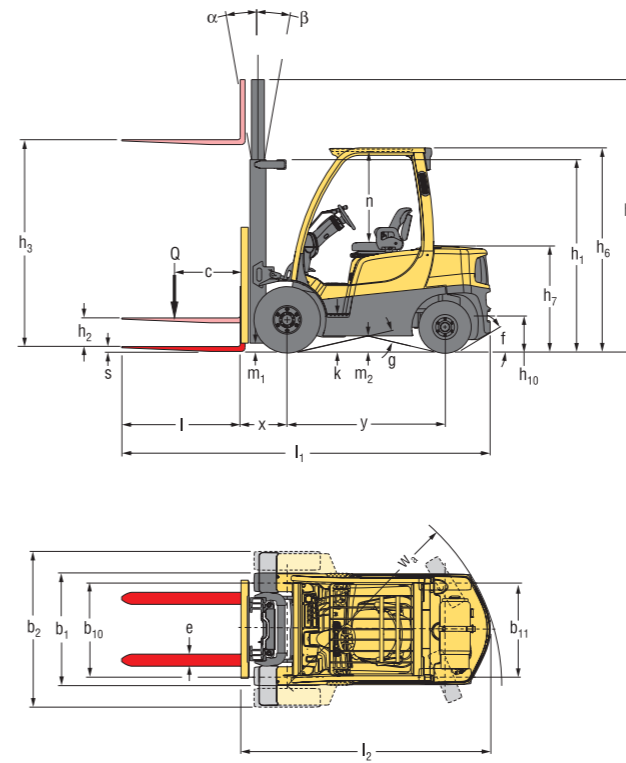
Maximum fork height (mm)	Pneumatic Radial Tyres									
	Without sideshift		With ISS & FP		Maximum fork height (mm)	Without sideshift		With ISS & FP		
	H2.0FT	H2.5FT	H2.0FT	H2.5FT		H3.0FT	H3.5FT	H3.0FT	H3.5FT	
2-stage Limited Free Lift	3290	1920	2370	1840	2280	3105	2820	3310	2700	3180
3790	1910	2360	1830	2270	2500	3605	2810	3300	2690	3170
4330	1890	2350	1810	2250	2100	4105	2790	3290	2670	3150
4830	1790	2240 ◀	1720	2150 ◀	1600	4605	2690	3170	2570	3040
2-stage Full Free Lift	3300	1920	2380	1840	2280	3110	2820	3310	2700	3180
3-stage Full Free Lift	4350	1880	2380 ◀	1790	2280 ◀	4015	2800	3290 ◀	2670	3150
	4950	1760	2250 ◀	1680	2150 ◀	4615	2700	3190 ◀	2580	3050 ◀
	5550	1630	2110 ❖	1560	2020 ❖	4915	2630	3110 ❖	2510	2980 ❖
	6000	1520	1990 ❖	1450	1910 ❖	5215	2550	3040 ❖	2440	2900 ❖
						5815	2400 ❖	2860 ❖	2290 ❖	2740 ❖

NOTES
To calculate truck capacities with alternative truck specifications to the ones shown in the above tables, please use the Hy-Rater software.

The rated capacities shown are for masts in a vertical position on trucks equipped with standard or sideshift carriage, and nominal length forks. Masts above the maximum fork heights shown in the mast table are classified as high lift, and depending on the tyre/tread configuration may require reduced capacity, restricted back tilt or wide tread.

Values shown are for standard equipment. When using non-standard equipment, these values may change. Please contact your Hyster dealer for information.

TRUCK DIMENSIONS



● = Centre of gravity of unladen truck

$$A_{st} = W_a + x + l_g + a$$

(see lines 4.34.1 & 4.34.2)

a = Minimum operating clearance

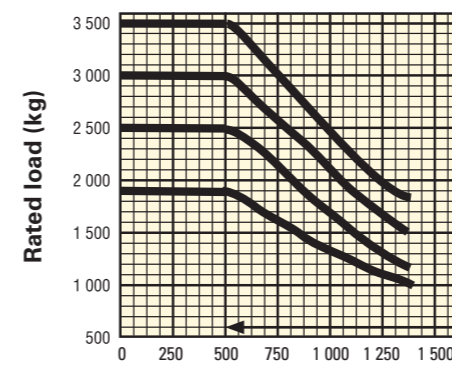
(VDI standard = 200 mm BITA recommendation = 300 mm)

l_g = Load length

Dimensions (mm)	H2.0FT	H2.5FT	H3.0FT	H3.5FT
f	47%	47%	47%	47%
g	20.9'	20.9'	20.9'	20.9'
k	371	371	371	371
n	1041	1041	1041	1041

RATED CAPACITIES

Standard carriage



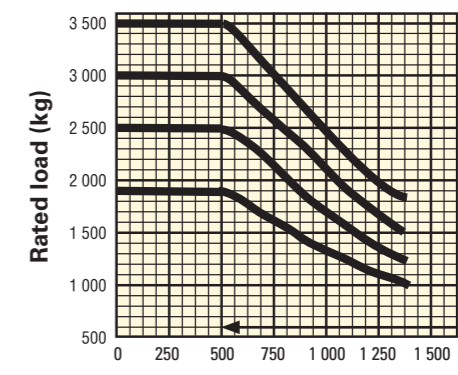
Load centre
Distance from front of forks to centre of gravity of load.

Rated load
Based on vertical masts up to 4350 mm (H2.0-2.5FT) and 4170 mm (H3.0-3.5FT).

H3.5FT
H3.0FT
H2.5FT
H2.0FT

Standard 500mm load centre

Integral side shift carriage



Load centre
Distance from front of forks to centre of gravity of load.

Rated load
Based on vertical masts up to 4350 mm (H2.0-2.5FT) and 4170 mm (H3.0-3.5FT).

H3.5FT
H3.0FT
H2.5FT
H2.0FT

Standard 500mm load centre

NOTE:

Specifications are affected by the condition of the vehicle and how it is equipped, as well as the nature and condition of the operating area. If these specifications are critical, the proposed application should be discussed with your dealer.

MAST TABLES

- ❖ With load backrest
- ▽ Without load backrest
- ◀ Wide tread or Dual Drive Wheels required for this rating
- ❖ Dual Drive Wheels required for this rating

NOTICE

Care must be exercised when handling elevated loads. When the carriage and/or load is elevated, truck stability is reduced. It is important that mast tilt in either direction be kept to a minimum when loads are elevated. Operators must be trained and adhere to the instructions contained in the Operating Manual.

Hyster products are subject to change without notice. Lift trucks illustrated may feature optional equipment.

CE Safety:

This truck conforms to the current EU requirements.

PRODUCT PACKAGES

The Hyster Fortens™ range has been designed to match the vast range of application requirements and business objectives that customers demand.

The H2.0-3.5FT Series is available in several truck packages, with multiple powertrain combinations to choose from, to best match operational demands. Each configuration offers improved efficiency, advanced dependability, lower cost of operations and simple serviceability.

Model / Bundle	H2.0FT			H2.5FT		
LPG	Engine	Transmission	Brakes	Engine	Transmission	Brakes
Fortens	PSI 2.4L	Electronic Powershift 1 speed	Drum	PSI 2.4L	Electronic Powershift 1 speed	Drum
	PSI 2.4L	DuraMatch™ 1 speed	ADS Drum	PSI 2.4L	DuraMatch™ 1 speed	ADS Drum
	PSI 2.4L	DuraMatch™ 1 speed	Wet Brakes	PSI 2.4L	DuraMatch™ 1 speed	Wet Brakes
Fortens Advance+	Kubota 2.5L	DuraMatch™ 1 speed	Wet Brakes	Kubota 2.5L	DuraMatch™ 1 speed	Wet Brakes
	Kubota 2.5L	DuraMatch™ 2 speed	Wet Brakes	Kubota 2.5L	DuraMatch™ 2 speed	Wet Brakes

Model / Bundle	H3.0FT			H2.5FT		
LPG	Engine	Transmission	Brakes	Engine	Transmission	Brakes
Fortens	PSI 2.4L	Electronic Powershift 1 speed	Drum	PSI 2.4L	Electronic Powershift 1 speed	-
Fortens Advance	PSI 2.4L	DuraMatch™ 1 speed	ADS Drum	PSI 2.4L	DuraMatch™ 1 speed	ADS Drum
	PSI 2.4L	DuraMatch™ 1 speed	Wet Brakes	PSI 2.4L	DuraMatch™ 1 speed	Wet Brakes
Fortens Advance+	Kubota 2.5L	DuraMatch™ 1 speed	Wet Brakes	Kubota 2.5L	DuraMatch™ 1 speed	Wet Brakes
	Kubota 2.5L	DuraMatch™ 2 speed	Wet Brakes	Kubota 2.5L	DuraMatch™ 2 speed	Wet Brakes

Please refer to the Price List for full option configurations.

PRODUCT FEATURES

THIS SERIES OF TRUCKS IS AVAILABLE IN THREE CONFIGURATIONS.

The Fortens™ truck offers first-rate performance for many applications, geared to minimise cost of acquisition without compromising performance.

The Fortens Advance truck provides excellent performance for applications, optimised for lowest hourly operating cost.

The Fortens Advance+ truck delivers maximum performance for medium to heavy-duty applications with state-of-the-art features and industry leading power.

MASTS

The Fortens™ trucks are equipped with a mast, which provides excellent visibility both through the mast and all around. They are manufactured without compromise to provide robust and reliable performance, with minimal maintenance cost over the lifetime of the product. The mast has a robust design and offers excellent rigidity particularly at full lift height.

ENGINES & FUEL SYSTEM

The Fortens truck is powered by a range of heavy-duty industrial engines, designed to deliver power efficiently over a 20,000 hour design life with 500 hour service intervals. All engines feature Cast Iron Blocks and a 5 main bearing design; engines are fully isolated from the frame and axle to prevent direct transmission of noise and vibration, resulting in low vehicle noise and vibration levels. Variations in LPG fuel and its higher burning temperatures present challenges for converted Gasoline Engines and Hyster has developed state of the art electronic fuel injection systems, which use closed loop control to maintain proper fuelling in all operating conditions. These advanced Industrial Engines feature coil over plug ignition designs, and especially hardened intake and exhaust valve seats to ensure long operating life.

The industrial PSI 2.4L LPG engine provides a reliable and durable engine with a robust construction. It gives excellent productivity and offers 3 engine modes, HiP for maximum productivity, ECO-eLo for the best fuel economy and Eco for an all round well balanced performance.

The high performance Kubota 2.5L LPG engine maximises performance and productivity for intensive operations, and with Cast Iron head and special 9.5 litre oil capacity is designed to do so reliably for the life of the truck. Advanced engine controls enable fuel mapping to be optimised to allow highly efficient operation in ECO-eLo mode, with minimum loss of performance.

TRANSMISSION

The Standard Fortens model features an Electronic Powershift Transmission.

The Fortens Advance & Fortens Advance+ models are available with the electronically controlled 1 or 2 speed **DuraMatch™ transmission**, providing:

- **Auto Deceleration System (ADS)** automatically slows the truck when the accelerator pedal is released, and finally brings the truck to a stop, which helps to significantly extend brake life. In addition, this feature assists the driver to accurately position the truck in front of a load. There are 10 ADS settings, programmable via the dash display by a service technician, which deliver different braking characteristics, from very gradual to aggressive, to suit the needs of the application.
- **Controlled Power Reversal;** the Pacesetter VSM™ controls the transmission to deliver smooth direction changes. The VSM reduces the throttle to slow the engine, initiates auto-deceleration to stop the truck, changes the transmission direction automatically and increases the throttle to accelerate the truck. The system virtually eliminates tyre spin and shock loads on the transmission and significantly increases tyre life. As with ADS, the system is programmable via the dash display by a service technician, with settings from 1 to 10, to suit the needs of the application.
- **Controlled Roll-Back on Ramp;** the transmission controls the rate of decent of the truck on a ramp, when the brake and throttle pedal are released, to provide maximum control on a grade and increase operator productivity.
- **First Gear offers increased Drawbar Pull** for use on gradients
- **Second Gear provides maximum engine efficiency** in applications where longer travel distances are common
- DuraMatch™ transmissions are available with **Autospeed Hydraulics.**

The transmissions are compatible with oil cooler and a superior counterweight tunnel design coupled with a “pusher” type fan, to provide the industry’s best cooling.

The available Oil-immersed brakes offer reduced maintenance and repair time and costs, which results in extended truck dependability and uptime.

Trucks fitted with Oil-immersed brakes are ideally suited to applications in wet, dirty or corrosive environments, and ensure consistent braking performance over the lifetime of the truck. This is thanks to the sealed unit that houses and protects the brakes, so preventing contaminants and damage.

PRODUCT FEATURES (2)

AUTOSPEED HYDRAULICS

If the Autospeed Hydraulics option is selected when lifting a load the engine speed is automatically increased to provide full hydraulic power. The **Pacesetter VSM** maintains the current travel speed (or prevents travel) until the operator steps on the accelerator. No operator inching is required and simplifying operator actions increases productivity and efficiency.

All powertrains are controlled, protected and managed by **The Pacesetter™ VSM** industrial on-board computer featuring a CANbus communications network.

This system permits adjustment and optimisation of the truck's performance, in addition to monitoring key functions. It enables quick, easy diagnostics, minimising repair downtime and unnecessary parts swapping. Hassle-Free Hydraulic systems, featuring Leak-free O-ring face seal fittings reduce leaks for enhanced reliability. Non-mechanical, Hall-Effect sensors and switches have been fitted and are designed to outlast the life of the truck.

Load Sensing Hydraulics (LSH) delivers increased operational efficiency, providing a 15% reduction in fuel consumption on the VDI cycle, with no loss in productivity*. Variable displacement piston pumps match the flow rate and lifting speed continuously to the demands of the duty cycle. The engine therefore supplies only power to the hydraulic pumps when required, so more power is available for driving. This provides increased responsiveness and acceleration, which increases productivity and lowers fuel consumption, reducing overall operating costs.

With LSH Hyster also offers an ECO-eLo (Fuel Efficiency) mode, reducing engine speed by 20% and optimising throttle response, so that the truck operates in the most economical power range. This results in a reduction in fuel consumption of a further 5%*, but has a limited effect on overall truck productivity under application conditions. The ECO-eLo mode also delivers lower noise levels by up to 3dB(A). If a faster work rate, or higher productivity is required, the truck can easily be reprogrammed to HiP (High Performance) mode of operation through the dash display, with access secured by a unique customer password.

(*Hyster Productivity Test Cycle: Load Sensing Hydraulics is available on trucks with TouchPoint™ mini-levers. The ECO-eLo function is only available on trucks with DuraMatch™ transmissions).

The operator compartment features class-leading **Ergonomics** for maximum driver comfort and productivity.

- Operator space is optimised with spacious operator compartment/cab and significantly more floor space.
- The Easy-to-use 3-point entry design of the operator compartment has an open non-slip step with a height of just 38cm.
- The Full Suspension Seat together with the isolated powertrain provide best in class Whole-Body Vibration levels of 0.6m/s², ensuring that the operator remains comfortable throughout the shift and fatigue, aches and pains are kept to a minimum.
- The TouchPoint™ mini-lever armrest features a new contoured design, and - in addition to the hydraulic functions - features a horn and direction switch, ensuring that all key truck functions are within constant, easy reach.
- The rear grab handle with horn button facilitates reverse driving.
- An infinitely adjustable steering column, 30cm diameter steering wheel with spinner knob and full-suspension seat enhance driver comfort.

The Hyster Fortens™ is the fastest and easiest lift truck to **Service**.

- Complete cowl-to-counterweight service access and simplified layout of wiring and hydraulics offers greater access to components, which in turn decreases service time for unscheduled repairs and regular maintenance.
- Fast, colour-coded daily checks and diagnostic systems can be managed via the dash display.
- An Engine coolant change and Hydraulic oil change interval of 4 000 hours also contributes to reduced downtime.



STRONG PARTNERS. TOUGH TRUCKS.™

FOR DEMANDING OPERATIONS, EVERYWHERE.

Hyster supplies a complete range of warehouse equipment, IC and electric counterbalanced trucks, container handlers and reach stackers. Hyster is committed to being much more than a lift truck supplier.

Our aim is to offer a complete partnership capable of responding to the full spectrum of material handling issues: Whether you need professional consultancy on your fleet management, fully qualified service support, or reliable parts supply, you can depend on Hyster.

Our network of highly trained dealers provides expert, responsive local support. They can offer cost-effective finance packages and introduce effectively managed maintenance programmes to ensure that you get the best possible value. Our business is dealing with your material handling needs so you can focus on the success of your business today and in the future.



HYSTER EUROPE

Centennial House, Frimley Business Park, Frimley, Surrey GU16 7SG, England.

Tel: +44 (0) 1276 538500



www.hyster.eu



infoeurope@hyster.com



[/HysterEurope](https://www.facebook.com/HysterEurope)



[@HysterEurope](https://twitter.com/HysterEurope)



[/HysterEurope](https://www.youtube.com/HysterEurope)



HYSTER  and FORTENS are registered trademarks in the European Union and certain other jurisdictions. MONOTROL is a registered trademark, and DURAMATCH and  are trademarks in the United States and in certain other jurisdictions. Hyster products are subject to change without notice. Lift trucks illustrated may feature optional equipment. A division of NACCO Materials Handling Limited.