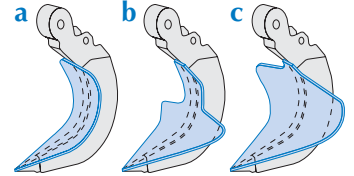


# GP 200 - GP 250

## Multi tine grab for truck crane

- 1 Male suspension link.
- 2 Free or 360° hydraulic rotation.
- 3 Body in high tensile steel. Protected hoses inside the body. Cylinders inside the tines.
- 4 HF treated pins.
- 5 4 or 5 tines in wear resistant steel.
- 6 Teeth.

**Options :** (a) vertical half closed  
(b) horizontal half closed  
(c) full orange peel



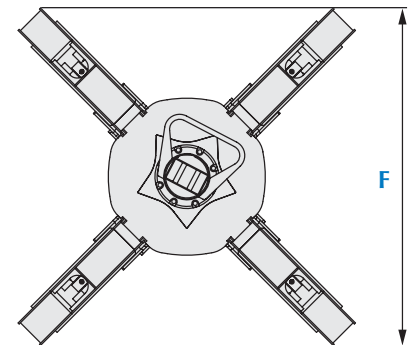
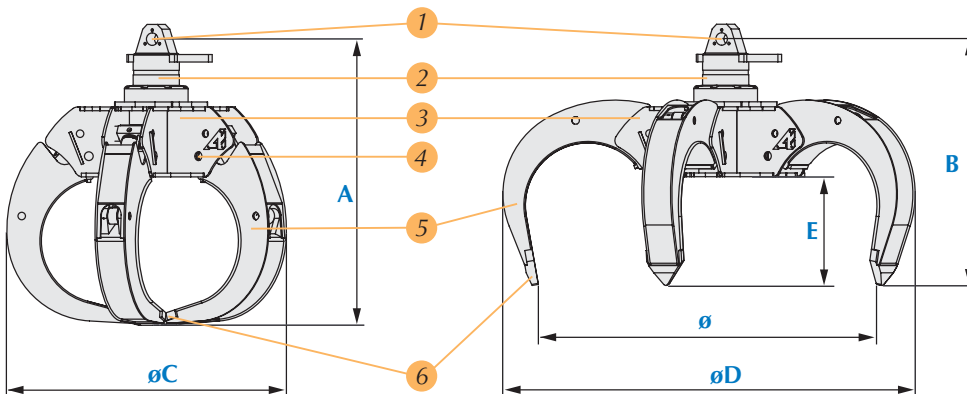
CE



|        | t | t | liter | kg  | kg  | ø    | A    | B   | C    | D    | E   | F    | bar     | liter/mn | bar      | liter/mn | t    | tm    |
|--------|---|---|-------|-----|-----|------|------|-----|------|------|-----|------|---------|----------|----------|----------|------|-------|
| GP 200 | 4 | 4 | 270   | 410 | 515 | 1500 | 1100 | 945 | 1195 | 1785 | 435 | 1351 | 200/300 | 25/55    | 320 max. | 3/5      | 6/7  | 8/15  |
| GP 250 | 6 | 6 | 270   | 435 | 540 | 1500 | 1145 | 990 | 1195 | 1785 | 435 | 1351 | 200/300 | 25/55    | 320 max. | 7/10     | 8/10 | 16/24 |

kg : weight of 5 tines version, without suspension link.

### GP 200 - GP 250



4 tines dimensions