

EDIA EM

Electric Counterbalance • 3 & 4 Wheel Pneumatic Tyres
48 Volt • **1.3 – 2.0 tonnes**

Effortless ease... total control

Over 20 years of independent tests don't lie. The single most important factor in increasing the productivity of a forklift truck is 'driveability'. It results from a combination of characteristics that allow the operator to be at one with the machine. Almost without thinking. Entirely without surprises. Totally in control. This is what drives our designers... and now brings you EDIA EM – our latest series of 1.3 to 2.0 tonne, 48V, 3 and 4 wheel electric counterbalance forklift trucks.

Smooth, quiet and highly responsive electric steering, matched with user-friendly hydraulics, gives a sense of effortless control and makes operation a pleasure. Space, comfort, intuitively placed controls, easy access and clear views in all directions are built into the design. A host of safety features boost confidence still further – allowing your operator to focus entirely on delivering the goods.

Operator compartment and controls

- **Market-leading ErgoCentric design** results in large, flat, uncluttered floor space, exceptionally large 'entry window' with deep, wide step and convenient grab bar, user-friendly controls, practical layout and great all-round visibility.
- **FeatherTouch steering wheel** maximises control, confidence and comfort, thanks to small size, low-effort operation and force feedback.
- **Multi-function colour display** provides highly visible readouts, even in bright sunlight, keeping operator fully informed of programmed settings, performance, condition and faults.
- **Ergonomic hydraulic levers** give a strong sense of touch, as well as control of speed, even if operator wears gloves.
- **Optional fingertip hydraulic control unit** with fully adjustable armrest (an award-winning concept) allows effortless precision.
- **Low-noise technology** reduces average sound level at operator's ear to a market-leading 66 dB(A) for 3 wheel and 67 dB(A) for 4 wheel models.
- **High-quality VersaCab factory-fitted panel cabin options** include unique, award-winning, hi-vis overhead guard roof, glass windows with wash/wipe, PVC or steel doors and heating.



Electric Counterbalance

3 Wheel Pneumatic Tyres • 48 Volt AC Power • 1.3 – 2.0 tonnes

| Characteristics | | | | | |
|---------------------|---|----------------|-------|---------------|---------------|
| 1.1 | Manufacturer (abbreviation) | | | Mitsubishi | Mitsubishi |
| 1.2 | Manufacturer's model designation | | | FB13PNT | FB15PNT |
| 1.3 | Power source: (battery, diesel, LP gas, petrol) | | | Electric | Electric |
| 1.4 | Operator type: pedestrian, (operator)-standing, -seated | | | Seated | Seated |
| 1.5 | Load capacity | Q | kg | 1,300 | 1,500 |
| 1.6 | Load center distance | c | (mm) | 500 | 500 |
| 1.8 | Load distance, axle to fork face | x | (mm) | 373 | 373 |
| 1.9 | Wheelbase | y | (mm) | 1285 | 1285 |
| Weight | | | | | |
| 2.1 | Truck weight, without load / including battery (simplex mast, lowest lift height) | | kg | 2779 | 2972 |
| 2.2 | Axle loading with maximum load, front/rear (simplex mast, lowest lift height) | | kg | 3564/515 | 3897/575 |
| 2.3 | Axle loading without load, front/rear (simplex mast, lowest lift height) | | kg | 1381/1398 | 1378/1594 |
| Wheels, Drive Train | | | | | |
| 3.1 | Tyres: V=solid, L=pneumatic, SE=solid pneumatic - front/rear | | | SE / SE | SE / SE |
| 3.2 | Tyre dimensions, front | | | 18x7-8 | 18x7-8 |
| 3.3 | Tyre dimensions, rear | | | 140/55-9 | 140/55-9 |
| 3.5 | Number of wheels, front/rear (x=driven) | | | 2x/2 | 2x/2 |
| 3.6 | Track width (center of tyres), front | b10 | (mm) | 920 | 920 |
| 3.7 | Track width (center of tyres), rear | b11 | (mm) | 174 | 174 |
| Dimensions | | | | | |
| 4.1 | Mast tilt, forwards/backwards | α/β | ° | 5/7.5 | 5/7.5 |
| 4.2 | Height with mast lowered (see tables) | h1 | (mm) | 2125 | 2125 |
| 4.3 | Free lift (see tables) | h2 | (mm) | 80 | 80 |
| 4.4 | Lift height (see tables) | h3 | (mm) | 3290 | 3290 |
| 4.5 | Overall height with mast raised | h4 | (mm) | 4342 | 4342 |
| 4.7 | Height to top of overhead guard | h6 | (mm) | 2050 | 2050 |
| 4.8 | Seat height | h7 | (mm) | 974 | 974 |
| 4.12 | Tow coupling height | h10 | (mm) | 575 | 575 |
| 4.19 | Overall length | l1 | (mm) | 2998 | 2998 |
| 4.20 | Length to fork face (includes fork thickness) | l2 | (mm) | 1848 | 1848 |
| 4.21 | Overall width | b1/b2 | (mm) | 1090 | 1090 |
| 4.22 | Fork dimensions (thickness, width, length) | s / e / l | (mm) | 35x100x1150 | 35x100x1150 |
| 4.23 | Fork carriage to DIN 15 173 A/B/no | | | 2A | 2A |
| 4.24 | Fork carriage width | b3 | (mm) | 920 | 920 |
| 4.31 | Ground clearance under mast, with load | m1 | (mm) | 95 | 95 |
| 4.32 | Ground clearance at center of wheelbase, with load (forks lowered) | m2 | (mm) | 85 | 85 |
| 4.33 | Working aisle width with 1000 x1200 mm pallets, crosswise | Ast | (mm) | 3173 | 3173 |
| 4.34 | Working aisle width with 800 x1200 mm pallets, crosswise | Ast | (mm) | 2993 | 2993 |
| 4.35 | Turning circle radius | Wa | (mm) | 1475 | 1475 |
| 4.36 | Minimum distance between centers of rotation | b13 | (mm) | 0 | 0 |
| Performance | | | | | |
| 5.1 | Travel speed, with/without load | | km/h | 16 / 16 | 16 / 16 |
| 5.2 | Lifting speed, with/without load | | m/s | 0.5 / 0.6 | 0.5 / 0.6 |
| 5.3 | Lowering speed, with/without load | | m/s | 0.52 / 0.5 | 0.52 / 0.5 |
| 5.5 | Rated drawbar pull, with/without load | | N | 2810 / 3130 | 2720 / 3090 |
| 5.6 | Maximum drawbar pull, with/without load (5 min short duty) | | N | 11390 / 11710 | 11290 / 11660 |
| 5.7 | Gradeability, with/without load | | % | 11 / 18 | 10 / 16 |
| 5.8 | Maximum gradeability, with/without load | | % | 28 / 35 | 26 / 35 |
| 5.9 | Acceleration time (10 metres) with/without load | | s | 4.1 / 3.6 | 4.2 / 3.7 |
| 5.10 | Service brakes (mechanical/hydraulic/electric/pneumatic) | | | Mech./hydr. | Mech./hydr. |
| Electric motors | | | | | |
| 6.1 | Drive motor capacity (60 min. short duty) | | kW | 4.5x2 | 4.5x2 |
| 6.2 | Lift motor output at 15% duty factor | | kW | 11.5 | 11.5 |
| 6.3 | Battery to DIN 43 531/35/36 A/B/C/no | | | DIN 43531 A | DIN 43531 A |
| 6.4 | Battery voltage/capacity at 5-hour discharge | | V/Ah | 48V / 500Ah | 48V / 500Ah |
| 6.5 | Battery weight | | kg | 715 | 715 |
| 6.6 | Energy consumption according to VDI 60 cycle | | kWh/h | - | - |
| Miscellaneous | | | | | |
| 8.1 | Type of drive control | | | AC transistor | AC transistor |
| 8.2 | Maximum operating pressure for attachments | | bar | 181 | 181 |
| 8.3 | Oil flow for attachments | | l/min | - | - |
| 8.4 | Noise level, value at operator's ear (EN 12053) | | dB(A) | 66 | 66 |
| 8.5 | Towing coupling design / DIN type, ref. | | | 15170 / H | 15170 / H |

Continuing improvement may lead to changes in these specifications.

| | | | | | |
|--|--|--|--|--|--|
| | Mitsubishi FB16CPNT Electric Seated 1,600 500 373 1395 | Mitsubishi FB16PNT Electric Seated 1600 500 373 1505 | Mitsubishi FB18CPNT Electric Seated 1800 500 373 1395 | Mitsubishi FB18PNT Electric Seated 1800 500 373 1505 | Mitsubishi FB20PNT Electric Seated 2000 500 384 1505 |
| | 3034 4053/581 1451/1583 | 3134 4068/666 1540/1594 | 3134 4378/556 1452/1683 | 3227 4383/644 1539/1688 | 3459 4759/700 1584/1875 |
| | SE / SE 18x7-8 140/55-9 2x/2 920 174 | SE / SE 18x7-8 140/55-9 2x/2 920 174 | SE / SE 18x7-8 140/55-9 2x/2 920 174 | SE / SE 18x7-8 140/55-9 2x/2 920 174 | SE / SE 200/50-10 140/55-9 2x/2 938 174 |
| | 5/7.5 2125 80 3290 4342 2050 974 575 3108 1958 1090 35x100x1150 2A 920 95 85 3283 3103 1585 0 | 5/7.5 2125 80 3290 4342 2050 974 575 3218 2068 1090 35x100x1150 2A 920 95 85 3393 3213 1695 0 | 5/7.5 2125 80 3290 4342 2050 974 575 3108 1958 1090 35x100x1150 2A 920 95 85 3283 3103 1585 0 | 5/7.5 2125 80 3290 4342 2050 974 575 3218 2068 1090 35x100x1150 2A 920 95 85 3393 3213 1695 0 | 5/7.5 2125 80 3290 4342 2050 974 575 3229 2079 1140 35x100x1150 2A 920 95 85 3403 3222 1695 0 |
| | 16 / 16 0.5 / 0.6 0.52 / 0.5 2680 / 3070 12020 / 12410 11 / 16 27 / 35 4.3 / 3.7 Mech./hydr. | 16 / 16 0.5 / 0.6 0.52 / 0.5 2650 / 3050 12160 / 12550 9 / 15 26 / 35 4.3 / 3.8 Mech./hydr. | 16 / 16 0.44 / 0.6 0.52 / 0.5 2610 / 3050 11950 / 12390 9 / 15 25 / 35 4.3 / 3.8 Mech./hydr. | 16 / 16 0.44 / 0.6 0.52 / 0.5 2580 / 3020 12090 / 12530 9 / 15 25 / 35 4.4 / 3.8 Mech./hydr. | 16 / 16 0.4 / 0.6 0.52 / 0.5 2480 / 2970 11980 / 12470 8 / 14 23 / 35 4.5 / 3.9 Mech./hydr. |
| | 4.5x2 11.5 DIN 43531 A 48V / 625Ah 855 - | 4.5x2 11.5 DIN 43531 A 48V / 750Ah 1025 - | 4.5x2 11.5 DIN 43531 A 48V / 625Ah 855 - | 4.5x2 11.5 DIN 43531 A 48V / 750Ah 855 - | 4.5x2 11.5 DIN 43531 A 48V / 750Ah 1025 - |
| | AC transistor 181 - 66 15170/H | AC transistor 181 - 66 15170/H | Impulse /AC 181 - 66 15170 / H | AC transistor 181 - 66 15170 / H | AC transistor 181 - 66 15170 / H |

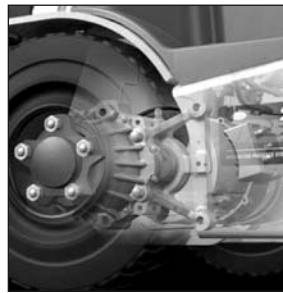
Electric Counterbalance

4 Wheel Pneumatic Tyres • 48 Volt AC Power • 1.6 – 2.0 tonnes

| Characteristics | | | | |
|----------------------------|---|------------------|---------------|---------------|
| 1.1 | Manufacturer (abbreviation) | | Mitsubishi | Mitsubishi |
| 1.2 | Manufacturer's model designation | | FB16CPN | FB16PN |
| 1.3 | Power source: (battery, diesel, LP gas, petrol) | | Electric | Electric |
| 1.4 | Operator type: pedestrian, (operator)-standing, -seated | | Seated | Seated |
| 1.5 | Load capacity | Q kg | 1600 | 1600 |
| 1.6 | Load center distance | c (mm) | 500 | 500 |
| 1.8 | Load distance, axle to fork face | x (mm) | 373 | 373 |
| 1.9 | Wheelbase | y (mm) | 1446 | 1556 |
| Weight | | | | |
| 2.1 | Truck weight, without load / including battery (simplex mast, lowest lift height) | kg | 3044 | 3095 |
| 2.2 | Axle loading with maximum load, front/rear (simplex mast, lowest lift height) | kg | 3999/645 | 4039/656 |
| 2.3 | Axle loading without load, front/rear (simplex mast, lowest lift height) | kg | 1433/1611 | 1541/1554 |
| Wheels, Drive Train | | | | |
| 3.1 | Tyres: V=solid, L=pneumatic, SE=solid pneumatic - front/rear | | SE / SE | SE / SE |
| 3.2 | Tyre dimensions, front | | 18x7-8 | 18x7-8 |
| 3.3 | Tyre dimensions, rear | | 16x6-8 | 16x6-8 |
| 3.5 | Number of wheels, front/rear (x=driven) | | 2x/2 | 2x/2 |
| 3.6 | Track width (center of tyres), front | b10 (mm) | 920 | 920 |
| 3.7 | Track width (center of tyres), rear | b11 (mm) | 898 | 898 |
| Dimensions | | | | |
| 4.1 | Mast tilt, forwards/backwards | α/β ° | 5/7.5 | 5/7.5 |
| 4.2 | Height with mast lowered (see tables) | h1 (mm) | 2125 | 2125 |
| 4.3 | Free lift (see tables) | h2 (mm) | 80 | 80 |
| 4.4 | Lift height (see tables) | h3 (mm) | 3290 | 3290 |
| 4.5 | Overall height with mast raised | h4 (mm) | 4342 | 4342 |
| 4.7 | Height to top of overhead guard | h6 (mm) | 2050 | 2050 |
| 4.8 | Seat height | h7 (mm) | 974 | 974 |
| 4.12 | Tow coupling height | h10 (mm) | 575 | 575 |
| 4.19 | Overall length | l1 (mm) | 3302 | 3412 |
| 4.20 | Length to fork face (includes fork thickness) | l2 (mm) | 2152 | 2262 |
| 4.21 | Overall width | b1/b2 (mm) | 1090 | 1090 |
| 4.22 | Fork dimensions (thickness, width, length) | s / e / l (mm) | 35x100x1150 | 35x100x1150 |
| 4.23 | Fork carriage to DIN 15 173 A/B/no | | 2A | 2A |
| 4.24 | Fork carriage width | b3 (mm) | 920 | 920 |
| 4.31 | Ground clearance under mast, with load | m1 (mm) | 95 | 95 |
| 4.32 | Ground clearance at center of wheelbase, with load (forks lowered) | m2 (mm) | 85 | 85 |
| 4.33 | Working aisle width with 1000 x1200 mm pallets, crosswise | Ast (mm) | 3473 | 3588 |
| 4.34 | Working aisle width with 800 x1200 mm pallets, crosswise | Ast (mm) | 3273 | 3388 |
| 4.35 | Turning circle radius | Wa (mm) | 1900 | 2015 |
| 4.36 | Minimum distance between centers of rotation | b13 (mm) | 481 | 544 |
| Performance | | | | |
| 5.1 | Travel speed, with/without load | km/h | 17 / 17 | 17 / 17 |
| 5.2 | Lifting speed, with/without load | m/s | 0.5 / 0.6 | 0.5 / 0.6 |
| 5.3 | Lowering speed, with/without load | m/s | 0.52 / 0.5 | 0.52 / 0.5 |
| 5.5 | Rated drawbar pull, with/without load | N | 2680 / 3070 | 2660 / 3060 |
| 5.6 | Maximum drawbar pull, with/without load (5 min short duty) | N | 12020 / 12410 | 12170 / 12560 |
| 5.7 | Gradeability, with/without load | % | 10 / 16 | 9 / 16 |
| 5.8 | Maximum gradeability, with/without load | % | 27 / 35 | 27 / 35 |
| 5.9 | Acceleration time (10 metres) with/without load | s | 4.3 / 3.7 | 4.3 / 3.7 |
| 5.10 | Service brakes (mechanical/hydraulic/electric/pneumatic) | | Mech./hydr. | Mech./hydr. |
| Electric motors | | | | |
| 6.1 | Drive motor capacity (60 min. short duty) | kW | 4.5x2 | 4.5x2 |
| 6.2 | Lift motor output at 15% duty factor | kW | 11.5 | 11.5 |
| 6.3 | Battery to DIN 43 531/35/36 A/B/C/no | | DIN 43531 A | DIN 43531 A |
| 6.4 | Battery voltage/capacity at 5-hour discharge | V/Ah | 48V / 625Ah | 48V / 750Ah |
| 6.5 | Battery weight | kg | 855 | 1025 |
| 6.6 | Energy consumption according to VDI 60 cycle | kWh/h | | |
| Miscellaneous | | | | |
| 8.1 | Type of drive control | | AC transistor | AC transistor |
| 8.2 | Maximum operating pressure for attachments | bar | 181 | 181 |
| 8.3 | Oil flow for attachments | l/min | - | - |
| 8.4 | Noise level, value at operator's ear (EN 12053) | dB(A) | 67 | 67 |
| 8.5 | Towing coupling design / DIN type, ref. | | 15170 / H | 15170 / H |

Continuing improvement may lead to changes in these specifications.

| | | | |
|--|---------------|---------------|---------------|
| | Mitsubishi | Mitsubishi | Mitsubishi |
| | FB18CPN | FB18PN | FB20PN |
| | Electric | Electric | Electric |
| | Seated | Seated | Seated |
| | 1800 | 1800 | 2000 |
| | 500 | 500 | 500 |
| | 373 | 373 | 384 |
| | 1446 | 1556 | 1556 |
| | 3099 | 3161 | 3325 |
| | 4315/584 | 4343/618 | 4693/631 |
| | 1428/1671 | 1533/1628 | 1557/1768 |
| | SE / SE | SE / SE | SE / SE |
| | 18x7-8 | 18x7-8 | 200/50-10 |
| | 16x6-8 | 16x6-8 | 16x6-8 |
| | 2x/2 | 2x/2 | 2x/2 |
| | 920 | 920 | 938 |
| | 898 | 898 | 898 |
| | 5/7.5 | 5/7.5 | 5/7.5 |
| | 2125 | 2125 | 2125 |
| | 80 | 80 | 80 |
| | 3290 | 3290 | 3290 |
| | 4342 | 4342 | 4342 |
| | 2050 | 2050 | 2050 |
| | 974 | 974 | 974 |
| | 575 | 575 | 575 |
| | 3302 | 3412 | 3423 |
| | 2152 | 2262 | 2273 |
| | 1090 | 1090 | 1140 |
| | 35x100x1150 | 35x100x1150 | 35x100x1150 |
| | 2A | 2A | 2A |
| | 920 | 920 | 920 |
| | 95 | 95 | 95 |
| | 85 | 85 | 85 |
| | 3473 | 3588 | 3599 |
| | 3273 | 3388 | 3399 |
| | 1900 | 2015 | 2015 |
| | 481 | 544 | 544 |
| | 17 / 17 | 17 / 17 | 17 / 17 |
| | 0.44 / 0.6 | 0.44 / 0.6 | 0.4 / 0.6 |
| | 0.52 / 0.5 | 0.52 / 0.5 | 0.52 / 0.5 |
| | 2610 / 3060 | 2600 / 3040 | 2510 / 3000 |
| | 11950 / 12400 | 12110/12550 | 1202 / 12510 |
| | 9 / 16 | 9/15 | 8 / 14 |
| | 25 / 35 | 25/35 | 23 / 35 |
| | 4.3 / 3.7 | 4.4 / 3.8 | 4.4 / 3.8 |
| | Mech./hydr. | Mech./hydr. | Mech./hydr. |
| | 4.5x2 | 4.5x2 | 4.5x2 |
| | 11.5 | 11.5 | 11.5 |
| | DIN 43531 A | DIN 43531 A | DIN 43531 A |
| | 48V / 625Ah | 48V / 750Ah | 48V / 750Ah |
| | 855 | 1025 | 1025 |
| | AC transistor | AC transistor | AC transistor |
| | 181 | 181 | 181 |
| | - | - | - |
| | 67 | 67 | 67 |
| | 15170 / H | 15170 / H | 15170 / H |



Wet disc brakes



Easy on/off access



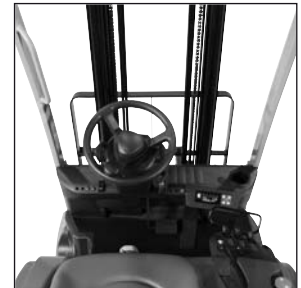
Lateral battery exchange



Large floor space



Multi-function display



Ergonomic control layout

EDIA EM

THE ELECTRIC DIAMOND

EDIA stands for environmentally friendly electric energy and for the quality and enduring value of a diamond.

EDIA brilliantly combines the latest electronic technology with ErgoCentric design to create a whole new level of confidence and intuitive driveability.

Electric Counterbalance

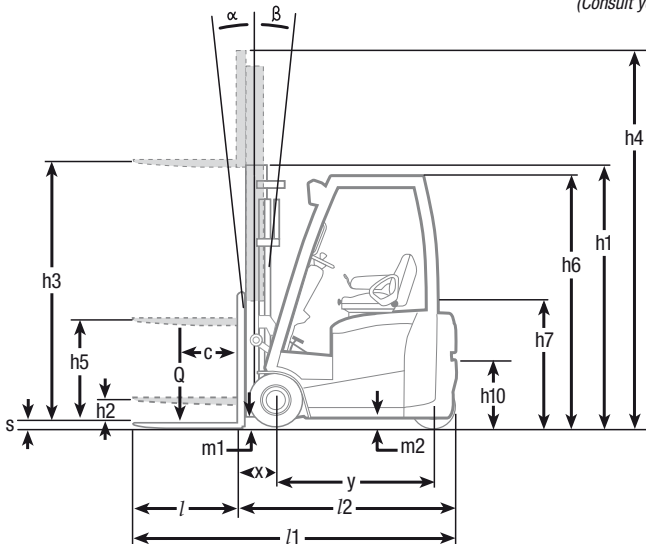
3 Wheel Pneumatic Tyres • 48 Volt AC Power • 1.3 – 2.0 tonnes

Mast Performance and Capacity

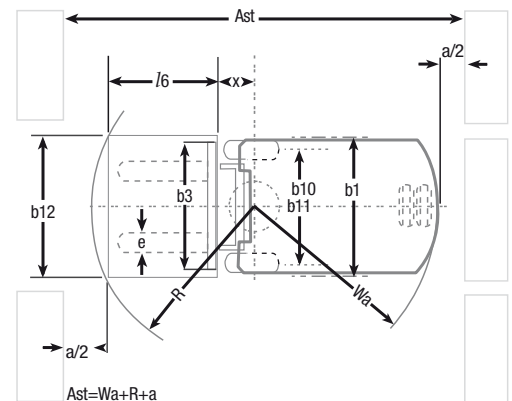
| Mast Type | FB13PNT - FB20PNT | | | | FB13PNT | FB15PNT | FB16CPNT | FB18CPNT | FB16PNT | FB18PNT | FB20PNT |
|-----------|-------------------|----------|----------|---------------|-----------------------|-----------------------|-----------------------|-----------------------|-----------------------|-----------------------|-----------------------|
| | h3 mm | h1 mm | h4 mm | h2 / h5 mm | Q @ c=500 mm kg | Q @ c=500 mm kg | Q @ c=500 mm kg | Q @ c=500 mm kg | Q @ c=500 mm kg | Q @ c=500 mm kg | Q @ c=500 mm kg |
| Simplex | 2000 | 1480* | 3045 | 80 | 1300 | 1500 | 1600 | 1800 | 1600 | 1800 | 2000 |
| | 2560 | 1760* | 3605 | 80 | 1300 | 1500 | 1600 | 1800 | 1600 | 1800 | 2000 |
| | 2760 | 1860* | 3805 | 80 | 1300 | 1500 | 1600 | 1800 | 1600 | 1800 | 2000 |
| | 3000 | 1980* | 4045 | 80 | 1300 | 1500 | 1600 | 1800 | 1600 | 1800 | 2000 |
| | 3290 | 2125 | 4335 | 80 | 1300 | 1500 | 1600 | 1800 | 1600 | 1800 | 2000 |
| | 3530 | 2245 | 4575 | 80 | 1300 | 1500 | 1600 | 1800 | 1600 | 1800 | 2000 |
| | 3720 | 2385 | 4765 | 80 | 1300 | 1500 | 1600 | 1800 | 1600 | 1800 | 2000 |
| | 4090 | 2570 | 5135 | 80 | 1300 | 1500 | 1600 | 1750 | 1600 | 1800 | 2000 |
| | 4480 | 2775 | 5525 | 80 | 1275 | 1475 | 1600 | 1700 | 1600 | 1800 | 2000 |
| | 5000 | 3035 | 6045 | 80 | 1200 | 1400 | 1525 | 1625 | 1600 | 1750 | 1925 |
| 5500 | 3285 | 6545 | 80 | 1125 | 1325 | 1425 | 1550 | 1500 | 1675 | 1850 | |
| 6000 | 3535 | 7045 | 80 | 1050 | 1250 | 1300 | 1425 | 1400 | 1550 | 1650 | |
| Duplex | 2800 | 1880* | 3845 | 835 | 1300 | 1500 | 1600 | 1800 | 1600 | 1800 | 2000 |
| | 3000 | 1980* | 4045 | 935 | 1300 | 1500 | 1600 | 1800 | 1600 | 1800 | 2000 |
| | 3295 | 2125 | 4340 | 1080 | 1300 | 1500 | 1600 | 1800 | 1600 | 1800 | 2000 |
| | 3515 | 2245 | 4560 | 1200 | 1300 | 1500 | 1600 | 1800 | 1600 | 1800 | 2000 |
| | 3700 | 2385 | 4745 | 1340 | 1300 | 1500 | 1600 | 1800 | 1600 | 1800 | 2000 |
| | 4030 | 2570 | 5075 | 1525 | 1300 | 1500 | 1600 | 1750 | 1600 | 1800 | 2000 |
| Triplex | 3710 | 1780* | 4755 | 735 | 1300 | 1500 | 1600 | 1800 | 1600 | 1800 | 2000 |
| | 4010 | 1880* | 5055 | 835 | 1300 | 1500 | 1600 | 1750 | 1600 | 1800 | 2000 |
| | 4310 | 1980* | 5355 | 935 | 1275 | 1475 | 1600 | 1725 | 1600 | 1800 | 2000 |
| | 4750 | 2125 | 5795 | 1080 | 1225 | 1425 | 1550 | 1650 | 1600 | 1800 | 2000 |
| | 5090 | 2245 | 6135 | 1200 | 1175 | 1375 | 1500 | 1600 | 1600 | 1775 | 1900 |
| | 5490 | 2385 | 6535 | 1340 | 1125 | 1325 | 1450 | 1550 | 1550 | 1675 | 1825 |
| | 5990 | 2570 | 7035 | 1525 | 1075 | 1275 | 1375 | 1375 | 1450 | 1500 | 1650 |
| | 6490 | 2830 | 7535 | 1785 | 950 | 1050 | 1050 | 1050 | 1175 | 1175 | 1350 |
| 7000 | 3035 | 8045 | 1990 | 725 | 725 | 725 | 725 | 850 | 850 | 1100 | |

(Consult your distributor for the maximum back tilt allowed to obtain the capacities specified)

* lower than overhead guard



- h1 Height with mast lowered
- h2 Standard free lift
- h3 Lift height
- h4 Height with mast raised
- h5 Full free lift
- h6 Height to seat
- h7 Height to wheel
- h10 Height to wheel
- Q Lifting capacity, rated load
- c Load centre (distance)



- Ast = Working aisle width with load
- a = Safety clearance (200 mm)
- l6 = Pallet length (800 or 1000 mm)
- b12 = Pallet width (1200 mm)

Integrated Presence System 2 (IPS2)



Hydraulic and travel interlock systems prevent all movement if the driver is not seated. Automatic warnings remind the driver to fasten the seatbelt and apply the parking brake. An electronic parking brake automatically activates when the driver leaves the seat.

Electric Counterbalance

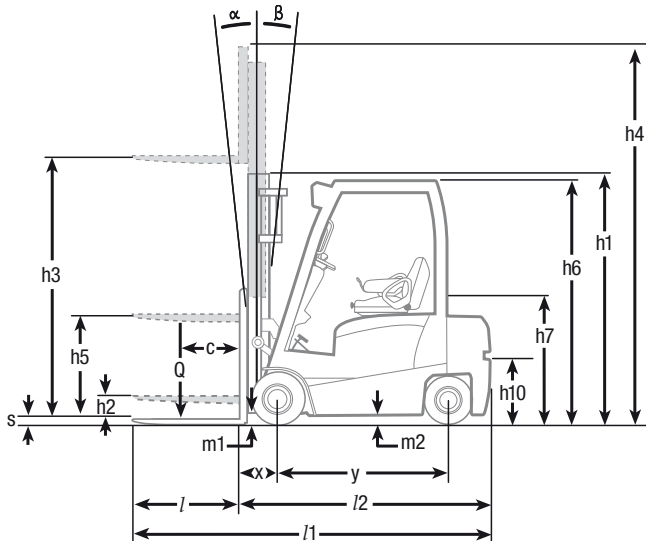
4 Wheel Pneumatic Tyres • 48 Volt AC Power • **1.6 – 2.0 tonnes**

Mast Performance and Capacity

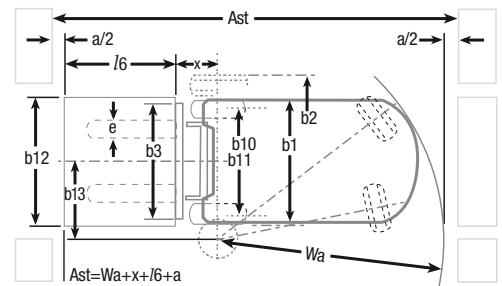
| Mast Type | FB16CPN • FB20PN | | | | FB16CPN | FB18CPN | FB16PN | FB18PN | FB20PN |
|-----------|------------------|-------|------|---------|-----------------------|-----------------------|-----------------------|-----------------------|-----------------------|
| | h3 | h1 | h4 | h2 / h5 | Q @ c=500 mm kg | Q @ c=500 mm kg | Q @ c=500 mm kg | Q @ c=500 mm kg | Q @ c=500 mm kg |
| | mm | mm | mm | mm | | | | | |
| Simplex | 2000 | 1480* | 3040 | 80 | 1600 | 1800 | 1600 | 1800 | 2000 |
| | 2560 | 1760* | 3605 | 80 | 1600 | 1800 | 1600 | 1800 | 2000 |
| | 2760 | 1860* | 3805 | 80 | 1600 | 1800 | 1600 | 1800 | 2000 |
| | 3000 | 1980* | 4045 | 80 | 1600 | 1800 | 1600 | 1800 | 2000 |
| | 3290 | 2125 | 4335 | 80 | 1600 | 1800 | 1600 | 1800 | 2000 |
| | 3530 | 2245 | 4575 | 80 | 1600 | 1800 | 1600 | 1800 | 2000 |
| | 3720 | 2385 | 4765 | 80 | 1600 | 1800 | 1600 | 1800 | 2000 |
| | 4090 | 2570 | 5135 | 80 | 1600 | 1800 | 1600 | 1800 | 2000 |
| | 4480 | 2775 | 5525 | 80 | 1600 | 1775 | 1600 | 1800 | 2000 |
| | 5000 | 3035 | 6045 | 80 | 1600 | 1700 | 1600 | 1775 | 1925 |
| | 5500 | 3285 | 6545 | 80 | 1475 | 1475 | 1575 | 1575 | 1850 |
| | 6000 | 3535 | 7045 | 80 | 1075 | 1075 | 1175 | 1175 | 1750 |
| Duplex | 2800 | 1880* | 3845 | 835 | 1600 | 1800 | 1600 | 1800 | 2000 |
| | 3000 | 1980* | 4045 | 935 | 1600 | 1800 | 1600 | 1800 | 2000 |
| | 3295 | 2125 | 4340 | 1080 | 1600 | 1800 | 1600 | 1800 | 2000 |
| | 3515 | 2245 | 4560 | 1200 | 1600 | 1800 | 1600 | 1800 | 2000 |
| | 3700 | 2385 | 4745 | 1340 | 1600 | 1800 | 1600 | 1800 | 2000 |
| | 4030 | 2570 | 5075 | 1525 | 1600 | 1800 | 1600 | 1800 | 2000 |
| Triplex | 3710 | 1780* | 4755 | 735 | 1600 | 1800 | 1600 | 1800 | 2000 |
| | 4010 | 1880* | 5055 | 835 | 1600 | 1800 | 1600 | 1800 | 2000 |
| | 4310 | 1980* | 5355 | 935 | 1600 | 1775 | 1600 | 1800 | 2000 |
| | 4750 | 2125 | 5795 | 1080 | 1600 | 1725 | 1600 | 1800 | 1950 |
| | 5090 | 2245 | 6135 | 1200 | 1600 | 1675 | 1600 | 1750 | 1900 |
| | 5490 | 2385 | 6535 | 1340 | 1500 | 1500 | 1600 | 1625 | 1850 |
| | 5990 | 2570 | 7035 | 1525 | 1100 | 1100 | 1200 | 1200 | 1775 |
| | 6490 | 2830 | 7535 | 1785 | 800 | 800 | 900 | 900 | 1325 |
| 7000 | 3035 | 8045 | 1990 | 575 | 575 | 675 | 675 | 950 | |

(Consult your distributor for the maximum back tilt allowed to obtain the capacities specified)

* lower than overhead guard



- h1 Height with mast lowered
- h2 Standard free lift
- h3 Lift height
- h4 Height with mast raised
- h5 Full free lift
- Q Lifting capacity, rated load
- c Load centre (distance)



- Ast = Working aisle width with load
- a = Safety clearance (200 mm)
- l6 = Pallet length (800 or 1000 mm)
- b12 = Pallet width (1200 mm)

Controlled Cornering System (CCS)



Sensors measure the angle of turn and a safe speed limit is computed. Drive motor speed is continually adjusted as the angle changes. Normal speed quickly resumes as the course straightens.

IPX4



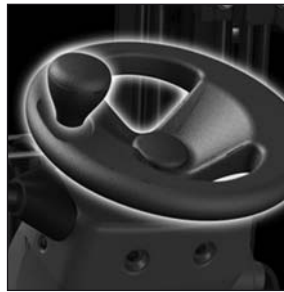
Indicates waterproofing of the truck's components to a specification sufficient for operation in a range of wet conditions, including wind-blown rain and water splashed from any direction.



Effortless fingertip controls



Rapid service access



FeatherTouch electric steering

Frame and body

- **Low centre of gravity** ensures the best residual capacities in the market.

Mast and fork assembly

- **Exceptional visibility** through a wide range of high-strength, clear-view masts allows handling with total confidence.

Drive

- **Efficient drive (and lift) motors** combine with strong regenerative braking and advanced electric steering technology to minimise energy consumption and extend shifts.

Steering system

- **FeatherTouch electric steering** lowers energy consumption, minimises noise, allows precise, effortless control and requires almost no maintenance.

Brakes

- **Wet disc brakes** are perfect for wet, salty or dusty workplaces, delivering virtually maintenance-free performance and producing no particulate pollution.
- **Electronically activated parking brake** is applied automatically whenever the operator leaves the seat and can be activated manually by simply pressing a button.

- **Hill hold** automatically prevents accidental rolling, even on steep ramps.
- **Controlled Cornering System (CCS)** sets appropriate limits for any turning angle.

Hydraulics

- **Reliable lift (and drive) motors** have been proven to withstand intensive work in the most demanding of applications without breakdown.

Electrical and control systems

- **Simple performance settings** include five pre-set modes for instant programming by the driver.
- **Full programmability** and diagnostics via laptop connection allows precise adjustment of many parameters by service engineer to meet the exact needs of each operator and application.
- **Integrated Presence System 2 (IPS2)** pioneered by Mitsubishi prevents all movement of the truck and its mast if the operator is not seated.
- **Versatile battery compartment** accommodates DIN size batteries with a variety of capacities, for maximum compatibility with user's equipment and needs.

- **Rapid lateral battery exchange option** for multi-shift or heavy duty applications allows simple, quick, safe removal and replacement.

- **Bright white halogen lights** or optional LED lights – front and rear – deliver 'see-and-be-seen' safety.

Other features

- **IPX4 waterproofing** includes IP54 specification as standard for drive and hydraulic motors, allowing operation even in splashing water and wind-blown rain.
- **RapidAccess features** for easy servicing include quick-release floor plate and wide-opening battery cover.

Options include

- Load weight indicator
- Side shifters
- Fingertip hydraulic controls
- Cabin packages
- Rear grab handle with horn
- Wide-view mirror



for much more information on EDIA EM visit the microsite:

www.edia-mitsubishi.com



when reliability is everything...

Like any product bearing the Mitsubishi name, our materials handling equipment benefits from the huge resources and cutting-edge technology of one of the world's largest corporations. So when we promise you **quality, reliability and value for money**, you know it's a guarantee we have the power to deliver.

Every model in our comprehensive, award-winning range of forklift trucks and warehouse equipment is built to a high specification and is designed to keep on working for you... day after day... year after year... whatever the job... whatever the conditions.

To ensure your truck stays in constant productive action, we have a network of local dealers – hand-picked for their commitment to customer care... and backed up by the Mitsubishi Forklift Trucks organisation. No matter where you are, we have a dealer close by – ready and willing to meet your needs.

That friendly local service covers everything from identifying the perfect model and configuration for your application to providing competitive, flexible finance and maintenance packages, unbeatable warranties, long and short term hire, and highly responsive field service and repairs... as well as the industry's quickest and most reliable parts supply.

Only Mitsubishi can give you this combination of global engineering excellence and outstanding local support... only Mitsubishi offers you such a quality product at such an affordable price... and only Mitsubishi places reliability as high as you do in its priorities. Contact your local dealer now and see what Mitsubishi can do for you.

You can find your nearest dealer at www.mitforklift.com



CESM1464 (03/12)
© 2011 MCFE
Printed in The Netherlands

mitforklift@mcf.nl www.mitforklift.com

NOTE: Performance specifications may vary depending on standard manufacturing tolerances, vehicle condition, types of tyres, floor or surface conditions, applications or operating environment. Trucks may be shown with non-standard options. Specific performance requirements and locally available configurations should be discussed with your distributor of Mitsubishi forklift trucks. Mitsubishi follows a policy of continual product improvement. For this reason, some materials, options and specifications could change without notice.