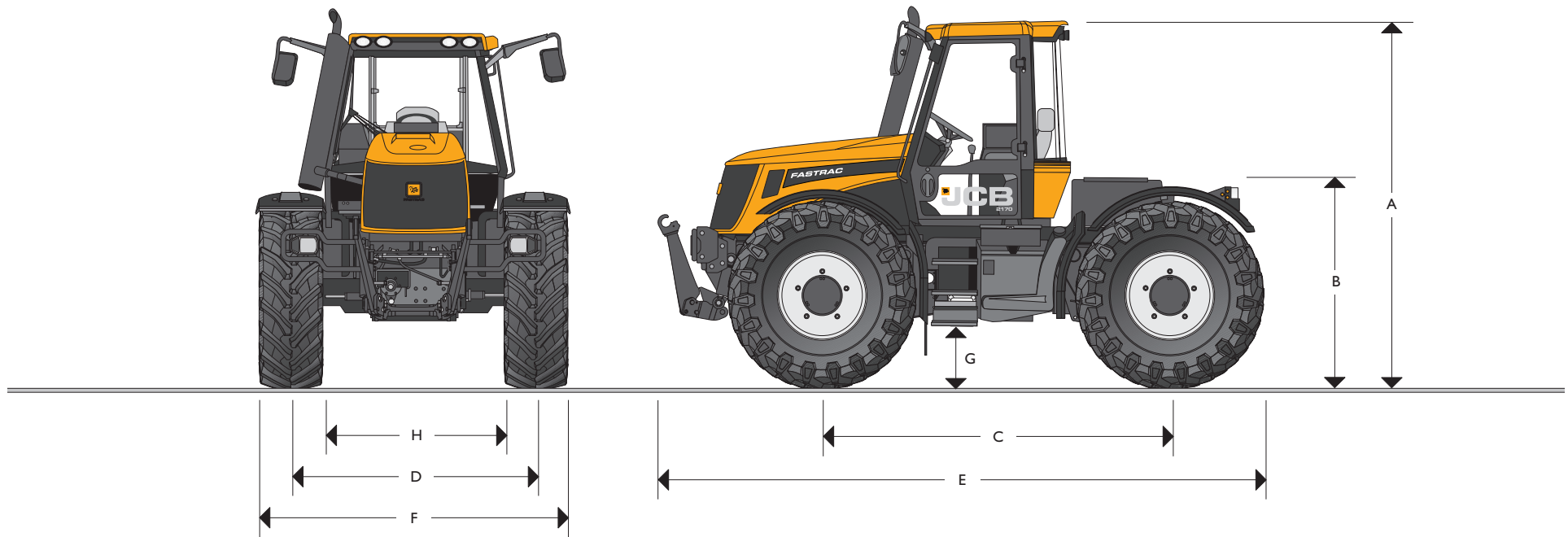


**ABS  
BRAKING**

FULLY SUSPENDED WITH 4 WHEEL ABS DISC BRAKING (TERRITORY DEPENDENT). JCB SMOOTHSHIFT TRANSMISSION.



**STATIC DIMENSIONS**

Tyres	540/65R30	Tyres	540/65R30
	m (ft-in)		m (ft-in)
A	Height to cab	2.88 (9-5)	
B	Height to deck	1.51 (4-11)	
C	Wheelbase	2.88 (9-5)	
D	Track width	1.83 (6-0)	
E	Overall length	5.21 (17-0)	
F	Overall width	2.35 (7-7)	
G	Ground clearance	0.41 (1-4)	
H	Width between tyres	1.27 (4-2)	

**ENGINE**

		2155	2170
Make		Cummins	Cummins
Model		QSB6.7	QSB6.7
Rated engine speed	rpm	2200	2200
Rated power	hp (kW)	160 (119)	170 (127)
Max. power	hp (kW)	165 (123)	178 (133)
Max. torque (engine rpm)	Nm	641 (1500)	675 (1500)
Aspiration		Turbocharged & aircharge cooled	Turbocharged & aircharge cooled
Injection		Common Rail	Common Rail
No. of cylinders		6	6
Capacity	cc	6702	6702
Bore	mm	107	107
Stroke	mm	124	124
Cooling		Water	Water
Air cleaner		Dual dry element	Dual dry element

**CLUTCH**

Smoothshift multi-plate oil immersed. Hydraulically clamped and electronically controlled.

**SUSPENSION**

**Front:** Coil spring and damper.  
**Rear:** Electronic hydro-pneumatic self levelling.

**ELECTRICAL SYSTEM**

System voltage	Volt	12
Alternator output	Amp	160
Battery capacity	Amp hour	1 x 115
Battery capacity*	Amp hour	2 x 115

Electrical wiring – to IP67 standard.

\*Territory dependant.

**CAPACITIES**

	litres (UK gal)
Fuel tank	330 (73)
Hydraulic tank	120 (26.4)

**HYDRAULICS**

**3 point linkage:** Electronic draft/position intermix, rate of drop, adjustable lift height, plus external lift and lower.  
**Rear hitch:** 6000kg Category III  
 Quick attach hook ends, hook end top link.  
**Front hitch (optional):** Lift capacity at link ends – 2500kg (5510lb); Category II; Folding, quick attach type.



### AUXILIARY HYDRAULICS

**Max oil flow:** 99 l/min

**Spool valves:** Type A – 4 position double acting, with flow control, zero leak and float position.  
 Type B – 4 position double acting with zero leak and float position.  
 Type C – Electronic 4 position double acting with time and flow control, float position, switchable kick-out and zero leak.

Auxiliary Hydraulic Package		Standard		Plus	
		2155	2170	2155	2170
1	Type A				
	Type A 3 spool	●	●	–	–
	Type B				
2	Type A				
	Type A 4 spool	○	○	–	–
	Type B (4 to rear)				
3	Type B				
	Type C 3 spool	–	–	●	●
	Type C				
4	Type C				
	Type C 4 spool	–	–	○	○
	Type C (4 to rear)				
	Type C				

● = Standard ○ = Option – = N/A

### AXLES

**Both axles:** Beam type with outboard epicyclic reduction hubs.  
 5 stud wheel retention.  
 2 ABS speed sensors and pole wheels.

**Front axle**  
 Front wheel drive  
 Differential  
 Rotary switch – electro-hydraulic sprung on/pressure off (on the move).  
 No-Spin.

**Rear Axle**  
 Differential lock  
 Electro-hydraulic soft engage clutch type.

### STEERING

**Type:** Hydrostatic, twin ram actuation.  
 Optional Quadtronic 4WS.

Tyre	Track mm (in)	2WS	4WS
480/70R30	1830 (72)	14m	10.4m
540/65R30	1930 (76)	14.1m	11.5m
540/65R30	2015 (80)	14.1m	11.7m

### POWER TAKE OFF

**Type:** Fully independent to front and rear (front optional).

**Actuation:** Electro-hydraulic.

**Speeds:** 540rpm @ 1894 engine rpm  
 1000rpm @ 2088 engine rpm

PTO power	2155	2170
hp	137	147
kW	102	110

**Speed change:** By in-cab lever, 540: neutral: 1000rpm  
 Front and rear always rotate at same speed.

**Output spline:** 6 or 21 1<sup>3</sup>/<sub>8</sub>" diameter.

### BRAKES

**Type:** ABS with single caliper outboard discs on all four wheels.

**Operation:** Air over hydraulic to EEC truck specification.

**Park brake type:** Independent disc on transmission output shaft.

**Actuation:** Sprung on, air pressure off.

**Trailer brakes:**

1. Twin line air brakes.
2. Single line hydraulic brakes for agricultural use for speeds up to 20mph.
3. Air trailer brake automatically applied by tractor park brake.
4. ABS 12v trailer supply socket as standard.



### TRANSMISSION

54 forward, 18 reverse gears. 6 gear manual synchromesh gearbox. Low, medium, high, reverse synchromesh range box with JCB Smoothshift and Autoshuttle features. 3 speed JCB Autoshift clutchless splitter with manual and automatic modes.

Forward speeds @ rated engine speed (km/hr):

		2155/2170		
		Snail	Tortoise	Hare
		km/hr	km/hr	km/hr
<b>High</b>	6	41.3	49.5	59.5
	5	31.8	38.1	45.8
	4	22.2	26.5	31.8
	3	14.7	17.7	21.2
	2	9.4	11.3	13.6
	1	5.5	6.6	7.9
<b>Medium</b>	6	23.7	28.4	34.1
	5	18.2	21.9	26.3
	4	12.7	15.2	18.3
	3	8.5	10.1	12.2
	2	5.4	6.5	7.8
	1	3.1	3.8	4.5
<b>Low</b>	6	8.3	9.9	11.9
	5	6.4	7.6	9.2
	4	4.4	5.3	6.4
	3	3.0	3.5	4.3
	2	1.9	2.3	2.7
	1	1.1	1.3	1.6
<b>Reverse</b>	1	1.9	2.3	2.7
	2	3.3	3.9	4.7
	3	5.1	6.1	7.3
	4	7.6	9.2	11.0
	5	11	13.2	15.8
	6	14.3	17.1	20.6

540/65 R30 tyres at Rated speed (2200rpm)

### VEHICLE WEIGHTS

Based on 540/65R30 tyres, full fuel tank.

	Front axle	Rear axle	Total
	kg	kg	kg
Base machine	3765	3080	6845
+ Front Linkage/PTO	3894	3186	7080

### REAR LOAD PLATFORM

**Maximum dimensions:** 1.25 x 2.25m

**Capacity:** 2500kg (5511lb)  
3250kg (7312lb) with heavy duty suspension cylinders.

**Sprayer:** As approved by JCB Landpower up to 2000 litres and 24m booms.

**Note:** All deck mounted equipment currently fitted to other JCB Fastracs will fit this machine with minimum modification.



### WHEELS AND TYRES

4 equal sized, welded wheels.

**Factory fit**

	Rate	Track mm (in)
480/70R30	D/E	1830/1930 (72/76)
540/65R30	D/E	1830/1930 (72/76)
480/70R30	D/E	2015 (80)
540/65R30	D/E	2015 (80)
600/65R28	D/E	1930 (76)

### CAB

High specification, 2 door, low noise.

**Standard equipment includes:**

- Full cab air conditioning.
- Air suspension seat.
- Dust filter and heater.
- Tinted glass.
- Front and rear wash/wipe.
- Full lighting set including direction indicators, hazard lights, six front and four rear work lights.
- 12v power socket.
- Passenger seat.
- Seat belts.
- Cigar lighter and ashtray.
- Side console illumination.
- Digital clock.
- Beacon.
- Rear fender mounted PTO cut-out switch.

The above specification may vary according to territory.

### PLUS PACKAGE

Plus Package includes electric spool valves, radar performance monitor, deluxe heated air suspension seat, six front and four rear worklights and deluxe mirrors.

### OPTIONAL EQUIPMENT

- Front linkage (Category II).
- Front PTO, single output.
- Front PTO, bi-directional.
- Four spool valve.
- Hydraulic flow divider.
- Front weights.
- Heavy duty suspension cylinders.
- Deluxe heated air suspension seat.
- Max-Trac front axle differential.
- Front hydraulic service ('T' spool 3).
- Front free flow return.
- 20 spline (1.75in) PTO stub.
- 6 spline (1.75in) PTO stub.
- Radar speed/wheel slip control package.
- 4WS.
- Deck weight.

## A GLOBAL COMMITMENT TO QUALITY

JCB's total commitment to its products and customers has helped it grow from a one-man business into Britain's largest privately owned manufacturer of backhoe loaders, crawler excavators, wheeled excavators, telescopic handlers, wheeled loaders, dump trucks, rough terrain fork lifts, industrial fork lifts, mini/midi excavators, skid steer loaders, tractors and compaction equipment.

By making constant and massive investments in the latest production technology, the JCB factories have become some of the most advanced in the world.

By leading the field in innovative research and design, extensive testing and stringent quality control, JCB machines have become renowned all over the world for performance, value and reliability.

And with a global sales and service network of more than 650 dealers and agents, we aim to deliver the best customer support in the industry.

Through setting the standards by which others are judged, JCB has become one of the world's most impressive success stories.



JCB Sales Limited, Rokester, Staffordshire ST14 5JP. Tel: 01889 590312. Fax: 01889 590588. Web: <http://www.jcb.com>

JCB reserves the right to change specifications without notice. Illustrations shown may include optional equipment and accessories. The JCB logo is a registered trademark of J C Bamford Excavators Ltd. Specification may vary according to territory.