



ENGINES

- CF65 220
- CF65 220
- CF65 250
- CF65 250
- CF65 300

GVM¹⁾

- 18000 kg
-
- Max. front 8000 kg
- Max. rear 10000 kg

GCM²⁾

- 22500 kg
-
-
-

CAB EXTERIOR

Mechanically suspended Day Cab with steel bumper, tinted glass and electric window openers. Main mirrors and wide angle mirrors electrically heated. Cab width 2300 mm.; Electrically adjustable mirrors; Front view mirror.

Optional

| | |
|--|---|
| 02106 Sleeper Cab | 07313 Combi lights led in bumper |
| 01137 Space Cab | |
| 08071 Xenon head lights with washer | 06592 Four spot lights on the cab roof |
| 00396 Permanent driving lights | 06593 Skylights |
| 06166 Combi lights in bumper | 06591 Two spot lights on the cab roof |

AERODYNAMICS

Optional

04906 Side collars

COLOURS

Cab colour H3279 Brilliant White; Head lamp panel, bumper and step cover: grey; Chassis colour grey..

Optional

| | |
|---|--|
| 09932 Head lamp panel, bumper and step cover: Br White | 04198 Mirror covers in cab colour |
| 09931 Head lamp panel, bumper and step cover: cab colour | 16153 Cab and chassis colours |

CAB INTERIOR

Driver seat: Comfort Air; Co-driver seat: basic; Storage box on engine tunnel; No air conditioning; Roof hatch glass, manual control.

Optional

| | |
|--|---|
| 09271 Steering wheel, leather, colour black | 09150 Lower bunk, raised 135 mm |
| 06111 Dashboard: wood structure | 09151 Lower bunk, raised 250 mm |
| 02117 Third seat | 04186 Upper bunk |
| 06539 Refrigerator | 06599 Auxiliary cab heater (air) |
| 04346 Lower bunk, normal level | |

COMMUNICATION AND DRIVING MANAGEMENT

FMS connector prepared; Tachograph digital, VDO; Cruise control.

Optional

| | |
|---|--------------------------------------|
| 09681 Preparation for Maut | 09721 Handsfree telephone kit |
| 16155 Audio equipment, makes and types | |

SAFETY AND SECURITY

Basic engine immobiliser system.

Optional

| | |
|--|------------------------------|
| 09992 Lane Departure Warning System | 01725 Reverse warning |
|--|------------------------------|

SUSPENSION AND AXLES

Front: 7.50 t, parabolic, 152N; Rear: 11.50 t, air suspension, SR1132.

Optional

| | |
|-------------------------------------|--|
| 01800 Rear axle SR1344 | 01603 Rear springs parabolic |
| 01778 Rear axle load 13.00 t | 03345 Rear springs parabolic, short |

WHEELS AND TYRES

Front axle 1: 315/70R22.5; Rear axle 1: 315/70R22.5; Spare: 315/70R22.5; Disc wheels steel, silvergrey; Wheel protection rings silvergrey.

Optional

16152 Tyre makes and types

DRIVELINE

GR165, 165 kW/224 hp, 38C. Cab badge: 220; Exhaust emission Euro 5; Manual gearbox, 6 speeds; Gearbox ratio 6.58-0.78; Rear axle ratio 5.13.

Optional

| | |
|--|---|
| 01553 Engine idle shutdown, 5 minutes | 02313 Gearbox direct drive |
| 04393 Manual gearbox, 9 speeds | 02843 Mechanical differential lock |
| 08834 AS Tronic gearbox, 6 speeds | 03721 ASR |
| 09888 Automatic gearbox, 5 speeds | |

BRAKE SYSTEM

ABS.

CHASSIS

Wheelbase 4.00 m / rear overhang 1.70 m; Side member height 260 mm; Plastic fuel tank 200 l; Fuel tank plastic; Spray suppression; Front underrun protection (FUP); Spare wheel carrier side.

DRAWBAR AND TRAILER EQUIPMENT

Closing member.

Optional

| | |
|--|--|
| 03048 D-value cross member D= 7.5 | 01948 D-value cross member D=10 |
|--|--|

BODIES AND PREPARATIONS FOR BODYING

Application connector on the cab front.

Optional

| | |
|---|--|
| 06692 Application connector on the chassis | 02597 Application connector for tail lift control |
|---|--|

POWER TAKE-OFF (PTO)

Optional

16148 PTO types and positions

ELECTRICAL POWER SUPPLY

Alternator 80 A, batteries 2x 125 Ah..

Optional

| | |
|-------------------------------|--------------------------------|
| 01897 Alternator 100 A | 08797 Batteries 2x175Ah |
|-------------------------------|--------------------------------|

GVM AND GCM

Chassis weight related technical GVM max 19000 kg; Driveline related max GCM 22500 kg.

Optional

- | | |
|---|---|
| 00054 Driveline related max GCM 18000 kg | 02658 Driveline related max GCM 26000 kg |
| 00043 Driveline related max GCM 19000 kg | 00620 Driveline related max GCM 28000 kg |
| 00711 Driveline related max GCM 21500 kg | 03027 Driveline related max GCM 32000 kg class 3 |

APPLICATION CONDITIONS

Moisture separator, unheated; Air intake on the cab roof.

Optional

- | | |
|---------------------------|---|
| 02270 Cold climate | 09961 Cyclonic air intake behind the cab |
|---------------------------|---|

SERVICE AND MAINTENANCE

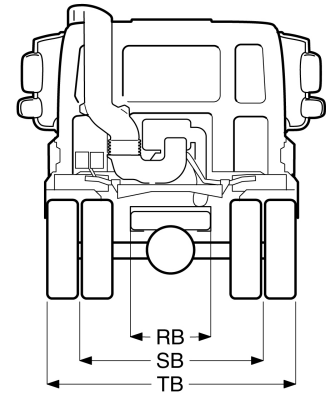
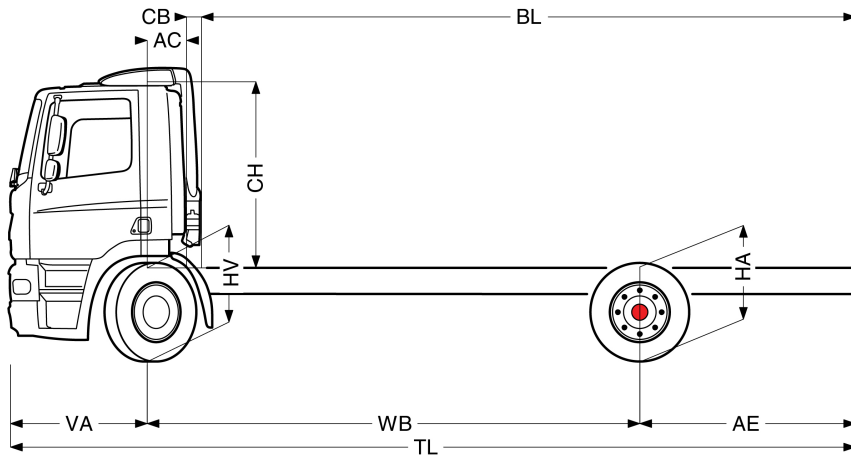
Standard Warranty takes care of 1 year complete vehicle, 2nd year driveline and 1st year breakdown.; ITS service.



Go to DAF.com to configure your own perfect DAF.

FA CF65

RH



| | Wheelbase - AE | | Unladen weight ⁹⁾ | | | Gross Carrying Capacity | | | Variable dimensions | | | | | | | | | |
|-------------|----------------|------------------|------------------------------|------|-------|-------------------------|-------|-------|---------------------|------------------|------------------|------------------|-------|-------|------------------|-------------------|-------------------|-------------------|
| | WB | AE ⁹⁾ | Front | Rear | Total | Front | Rear | Total | AC | CB ⁹⁾ | CH ⁷⁾ | BL ⁹⁾ | BL | TL | HA ⁹⁾ | HA ¹⁰⁾ | TK ¹¹⁾ | TW ¹²⁾ |
| SPACE CAB | 4.00 | 1.70 | 3900 | 1610 | 5511 | 4100 | 8390 | 12489 | 0.82 | 0.15 | 2.53 | 3.46 | 3.46 | 7.08 | 1.07 | 1.02 | 14.52 | 16.03 |
| | 4.15 | 1.85 | 3903 | 1623 | 5526 | 4097 | 8377 | 12474 | 0.82 | 0.15 | 2.53 | 3.66 | 3.66 | 7.38 | 1.07 | 1.02 | 14.93 | 16.45 |
| | 4.45 | 2.00 | 3922 | 1649 | 5570 | 4078 | 8351 | 12430 | 0.82 | 0.15 | 2.53 | 4.06 | 4.06 | 7.83 | 1.07 | 1.02 | 15.75 | 17.28 |
| | 4.75 | 2.00 | 3938 | 1653 | 5591 | 4062 | 8347 | 12409 | 0.82 | 0.15 | 2.53 | 4.48 | 4.48 | 8.13 | 1.07 | 1.02 | 16.57 | 18.11 |
| | 4.90 | 2.15 | 3941 | 1667 | 5608 | 4059 | 8333 | 12392 | 0.82 | 0.15 | 2.53 | 4.68 | 4.68 | 8.43 | 1.07 | 1.02 | 16.98 | 18.53 |
| | 5.10 | 2.75 | 3937 | 1728 | 5664 | 4063 | 8272 | 12336 | 0.82 | 0.15 | 2.53 | 4.93 | 4.93 | 9.23 | 1.07 | 1.02 | 17.53 | 19.08 |
| | 5.40 | 2.95 | 3944 | 1747 | 5691 | 4056 | 8253 | 12309 | 0.82 | 0.15 | 2.53 | 5.33 | 5.33 | 9.73 | 1.07 | 1.02 | 18.36 | 19.91 |
| | 5.70 | 3.15 | 3966 | 1793 | 5759 | 4034 | 8207 | 12241 | 0.82 | 0.15 | 2.53 | 5.73 | 5.73 | 10.23 | 1.07 | 1.02 | 19.18 | 20.75 |
| | 6.10 | 2.80 | 3994 | 1758 | 5752 | 4006 | 8242 | 12248 | 0.82 | 0.15 | 2.53 | 6.30 | 6.30 | 10.28 | 1.07 | 1.02 | 20.28 | 21.86 |
| | 6.60 | 3.20 | 4017 | 1817 | 5834 | 3983 | 8183 | 12166 | 0.82 | 0.15 | 2.53 | 6.96 | 6.96 | 11.18 | 1.07 | 1.02 | 21.66 | 23.24 |
| 6.90 | 3.70 | 4017 | 1875 | 5892 | 3983 | 8125 | 12108 | 0.82 | 0.15 | 2.53 | 7.35 | 7.35 | 11.98 | 1.07 | 1.02 | 22.49 | 24.08 | |
| 7.30 | 3.30 | 4054 | 1851 | 5905 | 3946 | 8149 | 12095 | 0.82 | 0.15 | 2.53 | 7.92 | 7.92 | 11.98 | 1.07 | 1.03 | 23.60 | 25.19 | |
| DAY CAB | WB | AE ⁹⁾ | Front | Rear | Total | Front | Rear | Total | AC | CB ⁹⁾ | CH ⁷⁾ | BL ⁹⁾ | BL | TL | HA ⁹⁾ | HA ¹⁰⁾ | TK ¹¹⁾ | TW ¹²⁾ |
| | 4.00 | 1.70 | 3718 | 1613 | 5331 | 4282 | 8387 | 12669 | 0.39 | 0.18 | 1.86 | 4.18 | 4.18 | 7.08 | 1.07 | 1.03 | 14.52 | 16.03 |
| | 4.15 | 1.85 | 3721 | 1626 | 5346 | 4279 | 8374 | 12654 | 0.39 | 0.18 | 1.86 | 4.38 | 4.38 | 7.38 | 1.07 | 1.02 | 14.93 | 16.45 |
| | 4.45 | 2.00 | 3740 | 1651 | 5391 | 4260 | 8349 | 12609 | 0.39 | 0.18 | 1.86 | 4.78 | 4.78 | 7.83 | 1.07 | 1.02 | 15.75 | 17.28 |
| | 4.75 | 2.00 | 3756 | 1655 | 5411 | 4244 | 8345 | 12589 | 0.39 | 0.18 | 1.86 | 5.18 | 5.18 | 8.13 | 1.07 | 1.03 | 16.57 | 18.11 |
| | 4.90 | 2.15 | 3759 | 1670 | 5428 | 4241 | 8330 | 12572 | 0.39 | 0.18 | 1.86 | 5.38 | 5.38 | 8.43 | 1.07 | 1.03 | 16.98 | 18.53 |
| | 5.10 | 2.75 | 3754 | 1731 | 5485 | 4246 | 8269 | 12515 | 0.39 | 0.18 | 1.86 | 5.63 | 5.63 | 9.23 | 1.07 | 1.02 | 17.53 | 19.08 |
| | 5.40 | 2.95 | 3762 | 1750 | 5512 | 4238 | 8250 | 12488 | 0.39 | 0.18 | 1.86 | 6.02 | 6.02 | 9.73 | 1.07 | 1.02 | 18.36 | 19.91 |
| | 5.70 | 3.15 | 3783 | 1796 | 5579 | 4217 | 8204 | 12421 | 0.39 | 0.18 | 1.86 | 6.42 | 6.42 | 10.23 | 1.07 | 1.02 | 19.18 | 20.75 |
| | 6.10 | 2.80 | 3812 | 1761 | 5573 | 4188 | 8239 | 12427 | 0.39 | 0.18 | 1.86 | 6.97 | 6.97 | 10.28 | 1.07 | 1.03 | 20.28 | 21.86 |
| 6.60 | 3.20 | 3834 | 1820 | 5654 | 4166 | 8180 | 12346 | 0.39 | 0.18 | 1.86 | 7.63 | 7.63 | 11.18 | 1.07 | 1.03 | 21.66 | 23.24 | |
| 6.90 | 3.70 | 3834 | 1878 | 5712 | 4166 | 8122 | 12288 | 0.39 | 0.18 | 1.86 | 8.01 | 8.01 | 11.98 | 1.07 | 1.02 | 22.49 | 24.08 | |
| 7.30 | 3.30 | 3871 | 1854 | 5725 | 4129 | 8146 | 12275 | 0.39 | 0.18 | 1.86 | 8.58 | 8.58 | 11.98 | 1.07 | 1.03 | 23.60 | 25.19 | |
| SLEEPER CAB | WB | AE ⁹⁾ | Front | Rear | Total | Front | Rear | Total | AC | CB ⁹⁾ | CH ⁷⁾ | BL ⁹⁾ | BL | TL | HA ⁹⁾ | HA ¹⁰⁾ | TK ¹¹⁾ | TW ¹²⁾ |
| | 4.00 | 1.70 | 3799 | 1611 | 5410 | 4201 | 8389 | 12590 | 0.82 | 0.16 | 1.86 | 3.40 | 3.40 | 7.08 | 1.07 | 1.02 | 14.52 | 15.90 |
| | 4.15 | 1.85 | 3801 | 1624 | 5425 | 4199 | 8376 | 12575 | 0.82 | 0.16 | 1.86 | 3.59 | 3.59 | 7.38 | 1.07 | 1.02 | 14.93 | 16.31 |
| | 4.45 | 2.00 | 3820 | 1649 | 5469 | 4180 | 8351 | 12531 | 0.82 | 0.16 | 1.86 | 4.00 | 4.00 | 7.83 | 1.07 | 1.02 | 15.75 | 17.14 |
| | 4.75 | 2.00 | 3837 | 1653 | 5490 | 4163 | 8347 | 12510 | 0.82 | 0.16 | 1.86 | 4.40 | 4.40 | 8.13 | 1.07 | 1.02 | 16.57 | 17.98 |
| | 4.90 | 2.15 | 3840 | 1667 | 5507 | 4160 | 8333 | 12493 | 0.82 | 0.16 | 1.86 | 4.60 | 4.60 | 8.43 | 1.07 | 1.02 | 16.98 | 18.39 |
| | 5.10 | 2.75 | 3835 | 1728 | 5563 | 4165 | 8272 | 12437 | 0.82 | 0.16 | 1.86 | 4.85 | 4.85 | 9.23 | 1.07 | 1.02 | 17.53 | 18.95 |
| | 5.40 | 2.95 | 3843 | 1747 | 5590 | 4157 | 8253 | 12410 | 0.82 | 0.16 | 1.86 | 5.25 | 5.25 | 9.73 | 1.07 | 1.02 | 18.36 | 19.78 |
| | 5.70 | 3.15 | 3865 | 1793 | 5658 | 4135 | 8207 | 12342 | 0.82 | 0.16 | 1.86 | 5.65 | 5.65 | 10.23 | 1.07 | 1.02 | 19.18 | 20.61 |
| | 6.10 | 2.80 | 3893 | 1758 | 5651 | 4107 | 8242 | 12349 | 0.82 | 0.16 | 1.86 | 6.21 | 6.21 | 10.28 | 1.07 | 1.02 | 20.28 | 21.72 |
| 6.60 | 3.20 | 3916 | 1817 | 5733 | 4084 | 8183 | 12267 | 0.82 | 0.16 | 1.86 | 6.87 | 6.87 | 11.18 | 1.07 | 1.02 | 21.66 | 23.11 | |
| 6.90 | 3.70 | 3916 | 1875 | 5791 | 4084 | 8125 | 12209 | 0.82 | 0.16 | 1.86 | 7.25 | 7.25 | 11.98 | 1.07 | 1.02 | 22.49 | 23.95 | |
| 7.30 | 3.30 | 3953 | 1851 | 5804 | 4047 | 8149 | 12196 | 0.82 | 0.16 | 1.86 | 7.82 | 7.82 | 11.98 | 1.07 | 1.03 | 23.60 | 25.06 | |

OTHER DIMENSIONS VA: 1.38 HV¹³⁾: 0.97 HV¹⁴⁾: 0.96 RB: 0.79 SB: 1.83 TB: 2.49

1) GVM in conformity with registration documents.
 2) GCM in conformity with registration documents.
 3) Axle load with standard tyre size.
 4) Chassis and cab weight calculated with: Standard specification items only with 200 litres of fuel, 26 litres of AdBlue and driver of 80 kg, tolerance ± 3%. Changing of the specification can have major impact on vehicle weight.
 5) Other AE dimensions may be available for shown WB. Modify rear overhang to the calculated body length.
 6) CB is based on standard air intake and/or exhaust.
 7) Cab height is measured from frame member to closed cabin roof hatch. With air intake on cab roof: +0.14 m.

8) Calculate customer specific body length with TOPEC. Body lengths shown based on evenly distributed load at max axle load.
 9) Unladen height at centre of driven axle(s).
 10) Laden height at centre of driven axle(s).
 11) TK = turning circle between kerbs.
 12) TW = turning circle between walls.
 13) Unladen height at centre of front axle(s).
 14) Laden height at centre of front axle(s).

Depending on the vehicle configuration a specific option may not be possible. The availability and specification of this vehicle may differ per country. For further information please contact the DAF organisation. Pictures and technical illustrations are not binding in detail and can differ from the standard specification. Subject to modification without prior notice.

072F6506IAAA - 201949c - 29-08-2019