



## ET90

### Tracked Conventional Tail Excavators



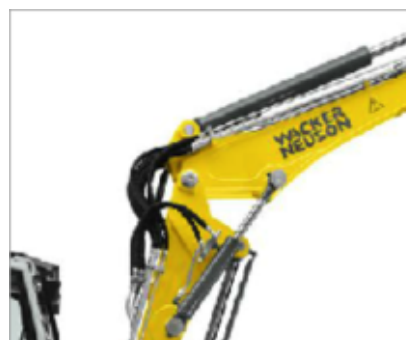
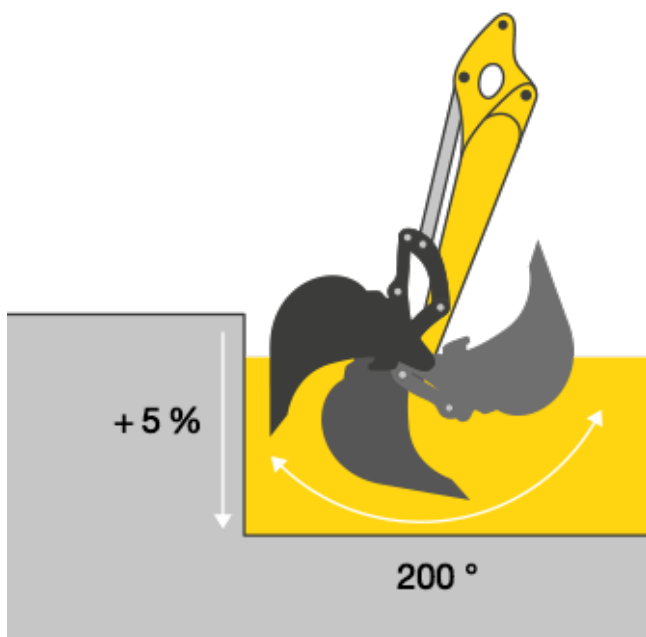
#### The economic powerhouse: ET90

The fuel consumption of the ET90 is up to 20 percent lower than with comparable models – this reduces the operating costs significantly. At the same time, it scores in applications with an excellent engine and hydraulic performance. This efficient combination provides for first-class digging power with up to 20% more bucket breakaway force. Conversely, the economical load sensing hydraulic system allows for finely controllable lifting arm movements with a full performance at the same time. Whether power or precision – the ET90 is exactly the right excavator for any application.

- Precise and sensitive operation thanks to the load sensing hydraulic system with LUDV (load-independent flow control)\*
- Low consumption due to the economical ECO mode
- Up to 5 auxiliary control circuits for the most varied attachments
- Extremely compact and maneuverable
- Maintenance and service made easy due to the tiltable cabin as well as the diagnostic tool

\* Load-independent flow distribution

#### Economical and powerful

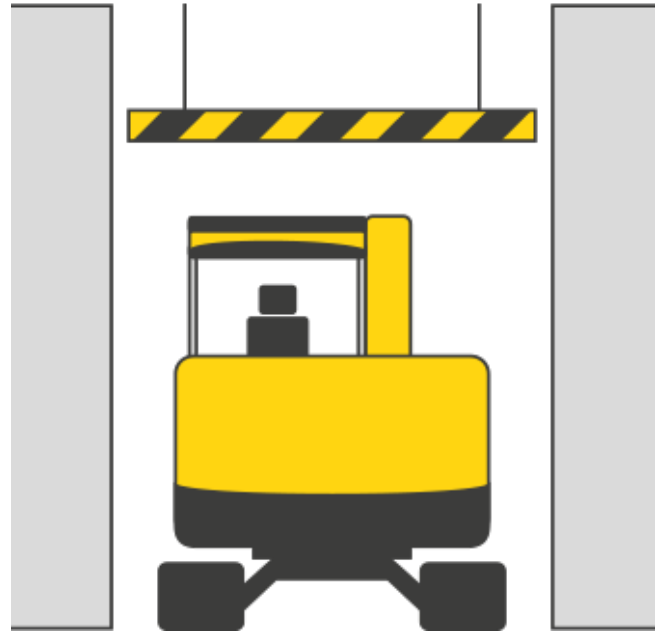


- Optimal force distribution when excavating and up to 20% more breakaway force: plunge in deeper and excavate more powerfully
- Less material loss in the bucket due to an expanded angle of rotation of 200 degrees
- Articulated boom for greater reach, digging depth and dumping height
- Up to 20 % less fuel consumption

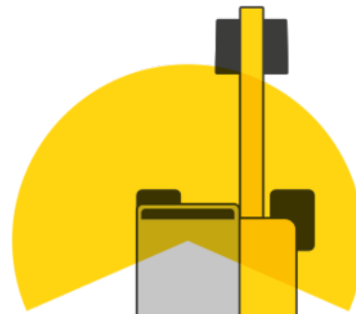


### Reduced dimensions

- Significantly lower height and width than comparable competition models
- Easily master tight construction sites and low passages
- Higher level of stability due to the low center of gravity
- Easy to transport



### Cabin, sight and operating comfort



- Innovative solution for the optimal view – boom to the right next to the cabin
- Operator comfort: spacious cabin, air cushioned seat and automatic air-conditioning system
- Innovative front windshield system: two-part windshield can be slid up and moved - rain roof position
- LED headlights for optimal illumination
- Rear camera for more safety when in reverse operation



**WACKER  
NEUSON**  
*all it takes!*

### Jog dial system

- Technology from the automotive sector
- For the direct control of central functions
- Intuitive to operate



### iF Design Award 2016

The excavator ET90 persuaded the professional jury at the iF Design Award in 2016. Compactness, character and professionalism were the decisive points, for which he was selected as a winner.



## Technical specifications

### Operating data

|                              |                       |
|------------------------------|-----------------------|
| Shipping weight min.         | 8,348 kg              |
| Operating weight             | 8,710 - 9,988 kg      |
| Biting force max.            | 46 kN                 |
| Breakout force max.          | 74 kN                 |
| Digging depth max.           | 4,679 mm              |
| Dumping height               | 5066 - 5940 mm        |
| Digging radius max.          | 7,889 mm              |
| Superstructure slewing speed | 9 1/min               |
| L x W x H                    | 7117 x 2250 x 2562 mm |

### Engine / Motor

|                                     |   |
|-------------------------------------|---|
| Engine / Motor manufacturer         | Deutz   |
| Engine / Motor type                 | TCD 2.9 DOC only  |
| Engine / Motor                      | Liquid-cooled 4-cycle turbo in-line engine, direct injection, exhaust gas turbocharger and intercooling |
| Displacement                        | 2,925 cm <sup>3</sup>   |
| RPM / speed                         | 1,850 rpm   |
| Engine performance according to ISO | 55 kW   |
| Battery                             | 88 Ah   |
| Tank capacity                       | 85 l  |

### Hydraulic system

|   |                            |
|---|----------------------------|
| Duty pump   | Variable displacement pump |
| Flow rate   | 175.8 l/min                |
| Operating pressure for working and driving hydraulics | 300 bar                    |
| Operating pressure swing gear                         | 240 bar                    |
| Hydraulic oil tank                                    | 92 l                       |

### Undercarriage

|                   |        |
|-------------------|--------|
| Travel speed max. | 5 km/h |
| Chain width       | 450 mm |
| Ground clearance  | 370 mm |

### Dozer Blade

|                                   |        |
|-----------------------------------|--------|
| Stroke dozer blade above subgrade | 479 mm |
| Stroke dozer blade below subgrade | 518 mm |

### Sound level



**WACKER  
NEUSON**  
*all it takes!*

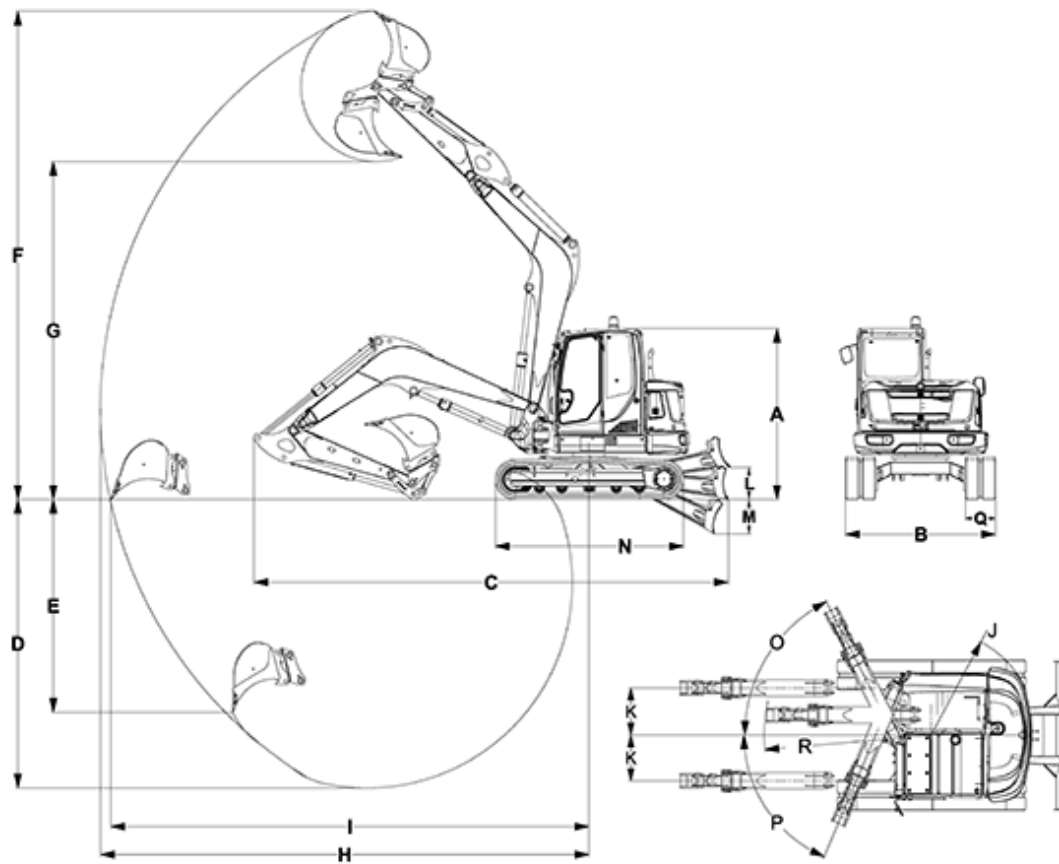
---

|  |          |
|--|----------|
| Sound level (L <sub>WA</sub> ) according to 2000/14/EC                       | 99 dB(A) |
| Cabin - specified sound pressure level L <sub>pA</sub> according to ISO 6394 | 79 dB(A) |

---



## Dimensions



monobloc boom

articulated boom

|   |                                       |            |          |
|---|---------------------------------------|------------|----------|
| A | Height                                | 2,562 mm   | 2,562 mm |
| B | Width cabin                           | 1,000 mm   | 1,000 mm |
| B | Width revolving superstructure        | 2,006.9 mm | 2,017 mm |
| B | Width traversing gear                 | 2,250 mm   | 2,250 mm |
| B | Width dozer blade                     | 2,250 mm   | 2,250 mm |
| C | Transport length short dipper stick   | 7,117 mm   | 6,468 mm |
| C | Transport length long dipper stick    | 7,139 mm   | 6,690 mm |
| D | Digging depth max. short dipper stick | 4,325 mm   | 4,379 mm |
| D | Digging depth max. long dipper stick  | 4,625 mm   | 4,679 mm |



|    |  |          |          |
|----|--|----------|----------|
| E  | Insertion depth short dipper stick       | 3,192 mm | 3,198 mm |
| E  | Insertion depth long dipper stick        | 3,474 mm | 3,456 mm |
| F  | Insertion height short dipper stick      | 7,322 mm | 7,931 mm |
| F  | Insertion height long dipper stick       | 7,529 mm | 8,196 mm |
| G  | Dump height max. short dipper stick      | 5,066 mm | 5,674 mm |
| G  | Dump height max. long dipper stick       | 5,272 mm | 5,940 mm |
| H  | Digging radius max. short dipper stick   | 7,331 mm | 7,596 mm |
| H  | Digging radius max. long dipper stick    | 7,620 mm | 7,889 mm |
| I  | Range short dipper stick                 | 7,179 mm | 7,463 mm |
| I  | Range long dipper stick                  | 7,474 mm | 7,751 mm |
| J  | Rear swivel radius w/o added weight      | 1,583 mm | 1,583 mm |
| J  | Rear swivel radius with counter weight   | 1,655 mm | 1,655 mm |
| K  | Arm displacement to center stick right   | 705 mm   | 705 mm   |
| K  | Arm displacement to center stick left    | 683 mm   | 683 mm   |
| L  | Lift height above subgrade               | 479 mm   | 479 mm   |
| M  | Scraping depth below subgrade            | 518 mm   | 518 mm   |
| N  | Length total traveling gear              | 2,826 mm | 2,826 mm |
| N  | Length traveling gear, turas guide wheel | 2,233 mm | 2,233 mm |
| O  | Turning angle boom system to the right   | 63 °     | 63 °     |
| P  | Turning angle boom system to the left    | 67 °     | 67 °     |
| Q  | Chain width                              | 450 mm   | 450 mm   |
| R  | Boom slewing radius center               | 2,503 mm | 2,840 mm |
| -- | Boom slewing radius right                | 2,427 mm | 2,759 mm |
| -- | Boom slewing radius left                 | 1,969 mm | 2,280 mm |
| -- | Height dozer blade                       | 501 mm   | 501 mm   |



**WACKER  
NEUSON**  
*all it takes!*

**Please note**

that product availability can vary from country to country. It is possible that information / products may not be available in your country. More detailed information on engine power can be found in the operator's manual; the stated power may vary due to specific operating conditions.

Subject to alterations and errors excepted. Applicable also to illustrations.

Copyright © 2018 Wacker Neuson SE.