

Sideways travel position

Ideal for loading and unloading of HGVs and for longer transport distances

Electric steering

High speed and acceleration values



ESE 120/220/320

Electric stand-on/sideways-seated pallet truck (2,000 kg)

The ESE 120/220/320 pallet trucks are ideal for the horizontal transport of loads up to 2000 kg over medium to long distances. The operator position, sideways to the direction of travel ensures that all the trucks offer excellent visibility and relaxed working conditions. This is a great advantage, especially where frequent changes of direction are required.

The width of the ESE 120 stand-on truck is only 760 mm, which is significantly narrower than a Euro pallet. This allows for easy pallet positioning inside an HGV as well as rapid loading and unloading of HGVs.

When standing, the fold-up seat offers optimal side support, particularly with frequent changes of direction. For longer distances, the seat can be folded down to relieve strain on the legs. Frequent entry and exit is facilitated by the low entry height of only 245 mm.

As true sideways seated trucks, the ESE 220 with a truck width of 820 mm and the ESE 320 with a width of 930 mm offer the operator maximum comfort. They are therefore particularly suited to travelling over long distances. The adjustable foot-well height ensures an ergonomic working position for all operators.

All trucks have powerful 24-V 3-phase AC motors for strong acceleration and high top speeds of up to 12.5 km/h. The robust construction allows for load capacities of up to 2000 kg.

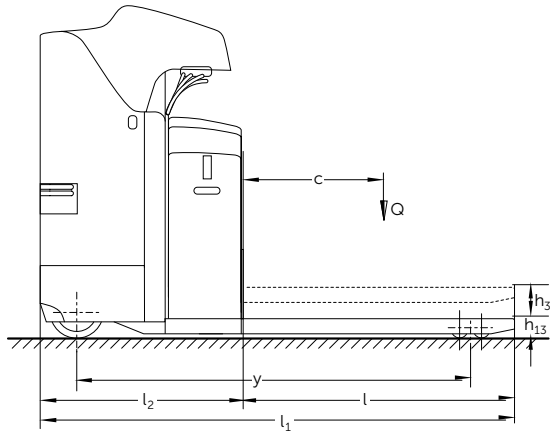
Other advantages:

- Rapid travel speeds and acceleration.
- Especially robust frame.
- Display with steering position display and travel program selection.
- Electric steering for easy manoeuvring with just a few turns of the steering wheel.
- Excellent energy management

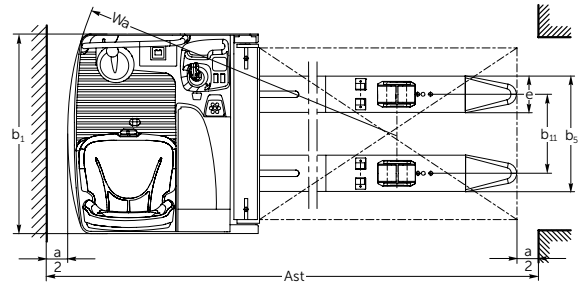
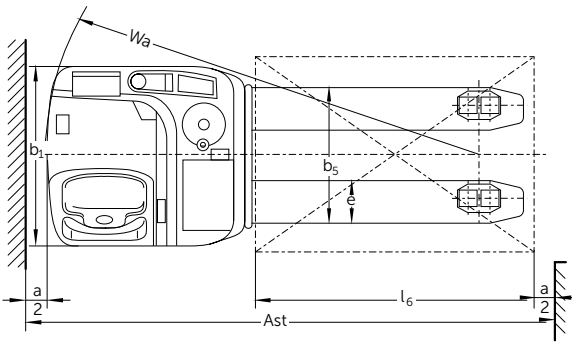
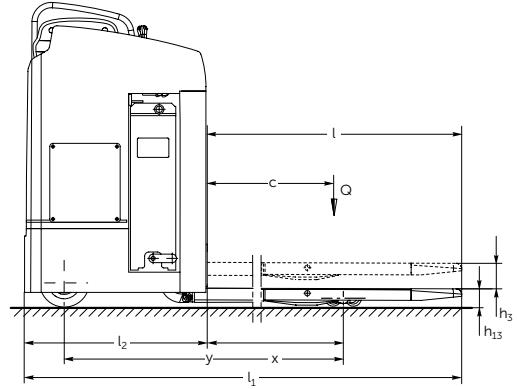
 **JUNGHEINRICH**

ESE 120/220/320

ESE 120



ESE 220/ 320



Technical data in line with VDI 2198

			Jungheinrich			
			ESE 120	ESE 220	ESE 320	
Identification	1.1	Manufacturer (abbreviation)		Jungheinrich		
	1.2	Model		ESE 120	ESE 220	ESE 320
	1.3	Drive		Electric		
	1.4	Manual, pedestrian, stand-on, seated, order picker operation		stand-on	seat	seat
	1.5	Load capacity/rated load	Q t	2		
	1.6	Load centre distance	c mm	600		
	1.8	Load distance	x mm	964 ³⁾	868	868
	1.9	Wheelbase	y mm	1,595 ²⁾	1,535 ³⁾	1,541 ⁴⁾
	Weights	2.1.1	Net weight incl. battery (see row 6.5)	kg	857	1,062
2.2		Axle loading, laden front/rear	kg	1,840 / 1,017	1,896 / 1,142	1,902 / 1,182
2.3		Axle loading, unladen front/rear	kg	215 / 642	258 / 808	264 / 816
Wheels / frame	3.1	Tyres		Polyurethane		
	3.2	Tyre size, front	mm	Ø 230 x 77	Ø 230 x 78	Ø 230 x 78
	3.3	Tyre size, rear	mm	Ø 85 x 85		
	3.4	Additional wheels (dimensions)	mm	Ø 140 x 57	Ø 140 x 54	Ø 140 x 54
	3.5	Wheels, number front/rear (x = driven wheels)		2+1x/4	2-1x/4	2-1x/4
	3.6	Tread width, front	b ₁₀ mm	485	544	645
	3.7	Tread width, rear	b ₁₁ mm	370	385	385
Basic dimensions	4.4	Lift	h ₃ mm	125		
	4.8	Seat height/standing height	h ₇ mm	0	1,020	1,020
	4.8.1	Standing height	h ₇ mm	245	0	0
	4.15	Height, lowered	h ₁₃ mm	90		
	4.19	Overall length	l ₁ mm	2,024	2,009	2,009
	4.20	Length to face of forks	l ₂ mm	874	859	859
	4.21	Overall width	b ₁ /b ₂ mm	760	820	930
	4.22	Fork dimensions	s/e/l mm	55 / 170 / 1,150	60 / 185 / 1,150	60 / 185 / 1,150
	4.25	Width across forks	b ₅ mm	540		
	4.32	Ground clearance, centre of wheelbase	m ₂ mm	30	25	25
4.34	Aisle width for pallets 800 x 1200 lengthways	Ast mm	2,274 ¹⁾	2,197 ¹⁾	2,215 ¹⁾	
4.35	Turning radius	W _a mm	1,838	1,665	1,683	
Performance data	5.1	Travel speed, laden/unladen	km/h	10 / 12.5		
	5.2	Lift speed, laden/unladen	m/s	0.04 / 0.05	0.06 / 0.07	0.06 / 0.07
	5.3	Lowering speed, laden/unladen	m/s	0.065 / 0.045	0.06 / 0.05	0.06 / 0.05
	5.8	Max. gradeability, laden/unladen	%	6 / 12	8 / 13	8 / 13
	5.10	Service brake		regenerative	electric	electric
Electrics	6.1	Drive motor, output S2 60 min.	kW	2.8		
	6.2	Lift motor, output at S3 15%	kW	2.0	1.5	1.5
	6.3	Battery as per DIN 43531/35/36 A, B, C, no		B	no	no
	6.4	Battery voltage/nominal capacity K5	V/Ah	24 / 375	24 / 465	24 / 465
	6.5	Battery weight	kg	297	380	380
	6.6	Energy consumption as per EN 16796 CO- Equivalent as per EN 16796	kWh/h kg/h	0.35 0.2	0	0
Misc.	8.1	Type of drive control		AC speedCONTROL		

¹⁾ Diagonal as per VDI: + 188 mm

²⁾ Load section lowered: + 65 mm

³⁾ Load section lowered: + 90 mm

⁴⁾ Load section lowered: + 95 mm

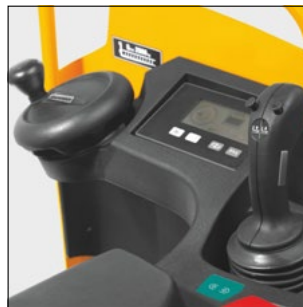
Benefit from the advantages



ESE 120 stand-on truck with easily accessible controls and fold-up seat



ESD 120: Control panel for speed regulation and lift function



All drive and lift functions operated via the multifunctional lever on the ESE 220/320



Comfortable seating position with height-adjustable floor plate on the ESE 220/320

Productivity-enhancing ergonomics

Arrangement of the operator position, sideways on to the direction of travel, guarantees optimum visibility and prevents neck complaints due to frequent changes in direction. A safety switch in the foot-well ensures maximum safety.

ESE 120:

- Fold-up seat acts as a backrest when the operator is standing.
- Footrest for better support while sitting and to relieve the legs.
- Cushioned suspension provides relief for the operator. Cushioned stand-on platform (optional) for a significant reduction in impacts on the ramp when loading and unloading HGVs.

ESE 220/320:

- Comfortable seat with adjustment for body weight.
- Height-adjustable floor plate.
- Padded armrest.
- Padded knee area.
- Low entry height.
- Entry handle.

Easy operation and excellent all-round visibility

The sideways travel position gives the operator optimum all-round visibility. The easy-to-operate electric steering and the easily accessible controls provide additional comfort:

ESE 120:

- The stable drive handle provides a secure grip when standing.
- Speed regulation by drive switch.
- Lift function button can be operated without changing grip.
- Selection between steering right or left.

ESE 220/320:

- Drive and lift control via multifunctional lever.

Efficient energy management with lead-acid battery

- Optimum energy supply in the ESE 120 with battery power between 375 Ah and 500 Ah, in the ESE 220/320 with a 465 Ah battery.

- Fast replacement of the batteries with lateral battery exchange.

Increased safety due to closed operator platform

Due to the central operator position and the closed truck contours, the operator is optimally protected in every driving situation, especially in hectic situations at the loading ramps.

Lithium-ion technology

- High degree of availability thanks to extremely short charging times.
- No battery exchange required.
- Cost savings due to longer service life and low maintenance compared with lead-acid batteries.
- No charging rooms and ventilation required as there is no build up of gas.
- Longer service life with 5-year Jungheinrich guarantee.

Jungheinrich UK Ltd.

Head Office:
Sherbourne House
Sherbourne Drive
Tilbrook
Milton Keynes MK7 8HX
Telephone 01908 363100
Fax 01908 363180

info@jungheinrich.co.uk
www.jungheinrich.co.uk

The German production facilities in Norderstedt, Moosburg and Landsberg are certified. **ISO 9001**
ISO 14001

Jungheinrich fork lift trucks meet European safety requirements.



JUNGHEINRICH