

CROWN

DT 3000 SERIES

Specifications

Double Stacker



General Information	1.1	Manufacturer	Crown Equipment Corporation							
	1.2	Model	DT 3040-2.0							
			platform type			without platform	foldable platform	rear entry	side entry	
			steering type			mechanical	mechanical	electric	mechanical	electric
	1.3	Power	electric							
	1.4	Operator Type			pedestrian	pedestrian / stand-on	stand-on			
	1.5	Load Capacity *		Q	t	2.0				
	1.6	Load Centre		c	mm	600				
	1.8	Load Distance **	initial lift raised	x	mm	900				
1.9	Wheel Base ***	initial lift raised	y	mm	1531	1603				
Weights	2.1	Weight	less battery		kg	see table 1				
	2.2	Axle Load	w. load, front / rear		kg	see table 1				
	2.3	Axle Load	w.o. load, front / rear		kg	see table 1				
Tyres	3.1	Tyres Type				Vulkollan				
	3.2	Wheel Size	front		mm	Ø 230 x 70	Ø 250 x 70	Ø 230 x 70	Ø 250 x 70	
	3.3	Wheel Size	rear		mm	Ø 82 x 110				
	3.4	Additional Wheels	castor wheel		mm	Ø 125 x 54				
	3.5	Wheels	number (x=driven) front/rear			1x + 2/2				
	3.6	Track Width	front	b10	mm	512				
	3.7	Track Width	rear	b11	mm	370				
Dimensions	4.2	Mast	collapsed height	h1	mm	see table 1				
	4.3	Free Lift		h2	mm	see table 1				
	4.4	Lift Height		h3+h13	mm	see table 1				
	4.5	Mast	extended height	h4	mm	see table 1				
	4.6	Initial Lift		h5	mm	125				
	4.8	Operator Stand Height		h7	mm	186		197		
	4.9	Tiller Arm Height	in drive position min./max.	h14	mm	960 / 1460	1056 / 1359	1054/1323	1249	
	4.15	Fork Height	lowered	h13	mm	89				
	4.19	Overall Length ****	initial lift raised	l1	mm	1986	2058	2128 / 2588	2622	2703
	4.20	Headlength ****	initial lift raised	l2	mm	836	908	978 / 1438	1472	1553
	4.21	Overall Width		b1/b2	mm	744				
	4.22	Fork Dimension	standard	thxwxl	mm	60 x 186 x 1150				
	4.24	Fork Carriage Width	optional length	l	mm	650				
4.25	Width Across Forks		b5	mm	560					
4.32	Ground Clearance	centre of wheelbase	m2	mm	29					
4.34	Working Aisle Width***	800x1200 mm initial lift raised	Ast	mm	2420	2492	2557 / 3002	3037	3037	3127
4.35	Turning Radius ***	initial lift raised	Wa	mm	1720	1792	1857 / 2302	2337	2337	2427
Performance	5.1	Travel Speed	w. / w.o. load		km/h	6.0 / 6.0	6.5 / 10.5	9.5 / 12.5	6.8 / 10.5	9.8 / 12.5
	5.2	Lift Speed	w. / w.o. load		m/s	0.18 / 0.30				
	5.3	Lowering Speed	w. / w.o. load		m/s	0.30 / 0.30				
	5.8	Max. Gradeability	w. / w.o. load, 5 min. rating		%	6 / 15				
	5.10	Service Brake				electric				
Motors	6.1	Traction Motor	60 min. rating		kW	2.0		2.5	2.0	2.5
	6.2	Lift Motor	10% on time		kW	2.2				
		Battery	acc. to DIN 43535	lxwxh	mm	B	B			
	6.3	Max. Battery Box Size		lxwxh	mm	212x624x627	284 x 624 x 627			
	6.4	Battery Voltage	nominal capacity 5h rating		V/Ah	24 / 240	24 / 375			
6.5	Battery Weight			kg	212	309				
8.1	Type Controller	drive			AC-transistor					
8.4	Sound Level	acc. to EN 12053		dB(A)	59					

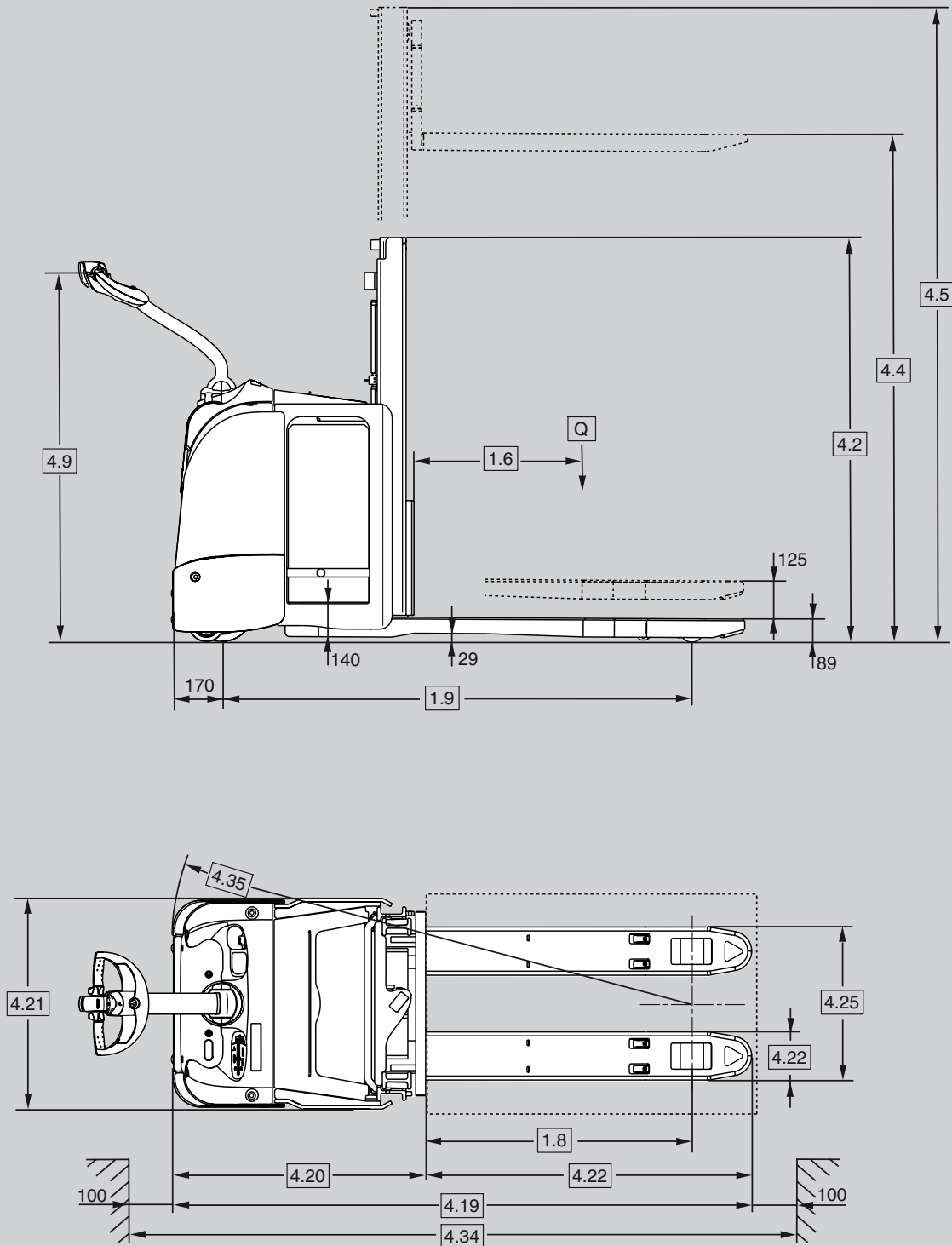
* as double stacker 1000 kg + 1000 kg, as pallet truck 2000 kg and as stacker 1000 kg

** initial lift lowered + 40 mm

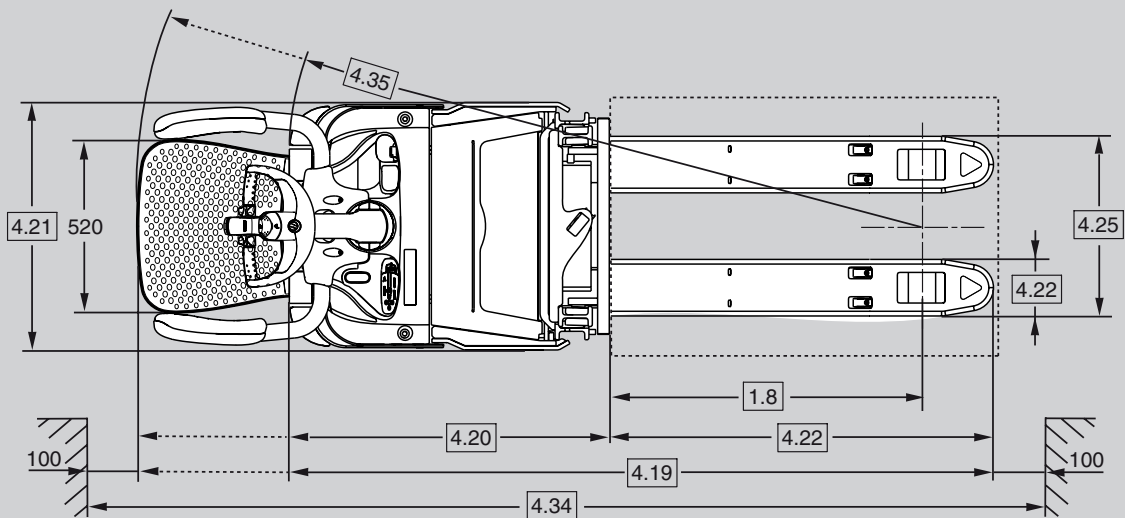
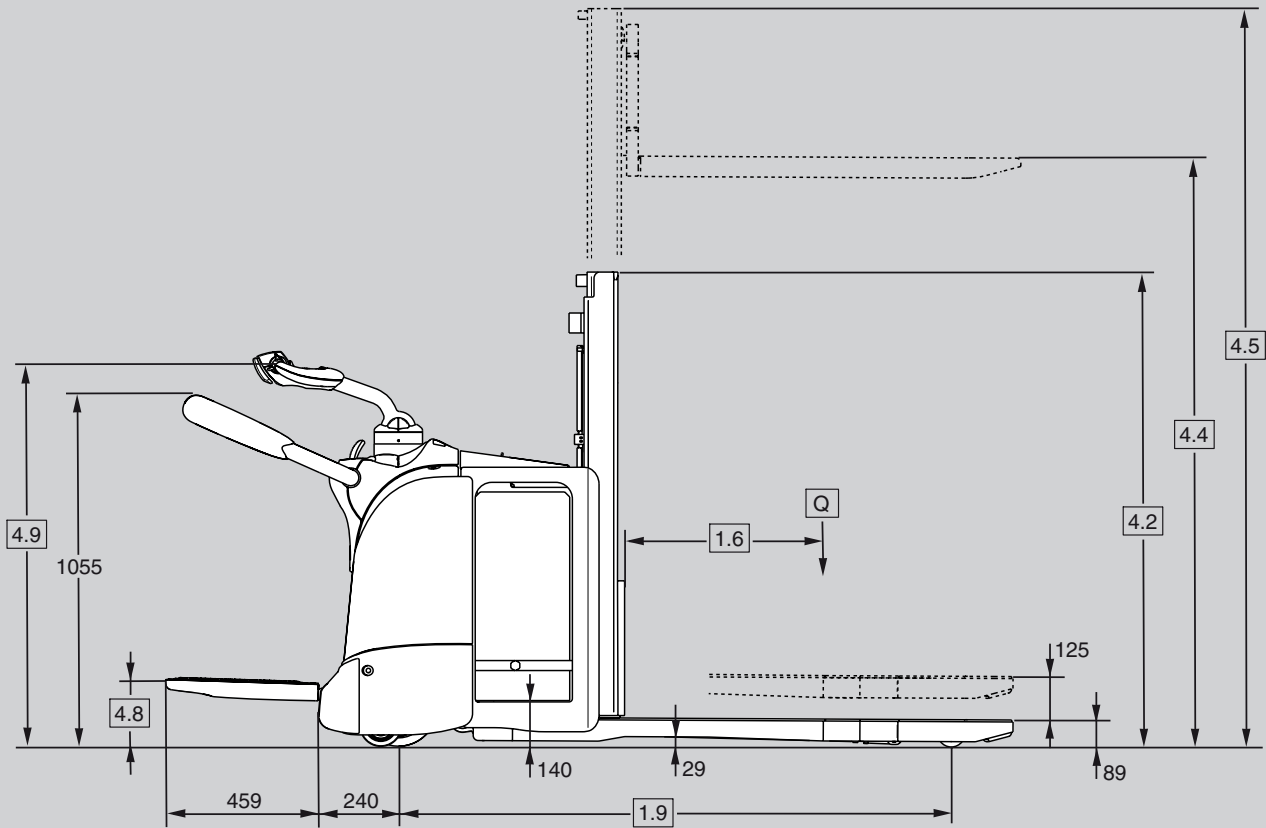
*** initial lift lowered + 58 mm

**** initial lift lowered - 18 mm

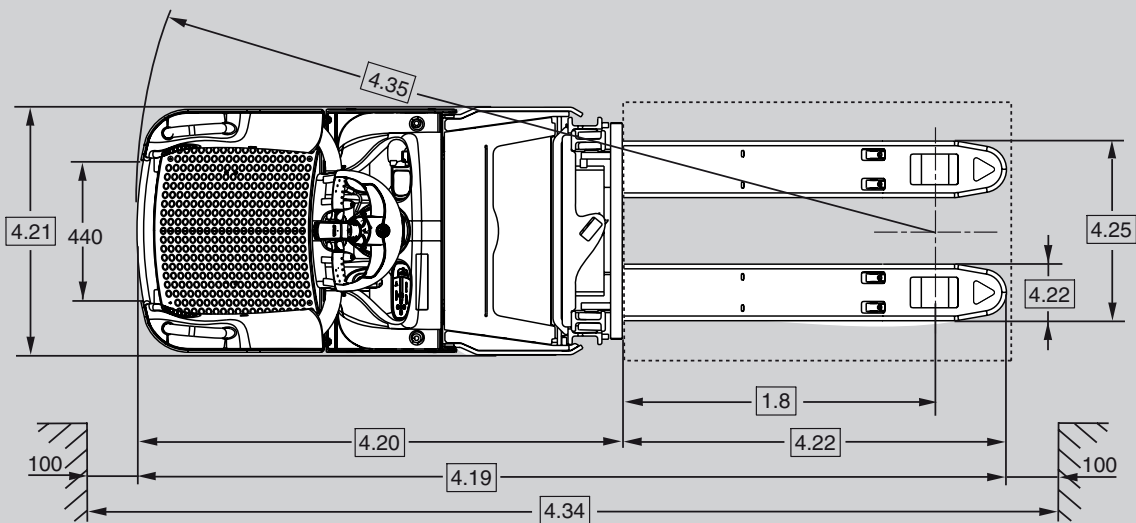
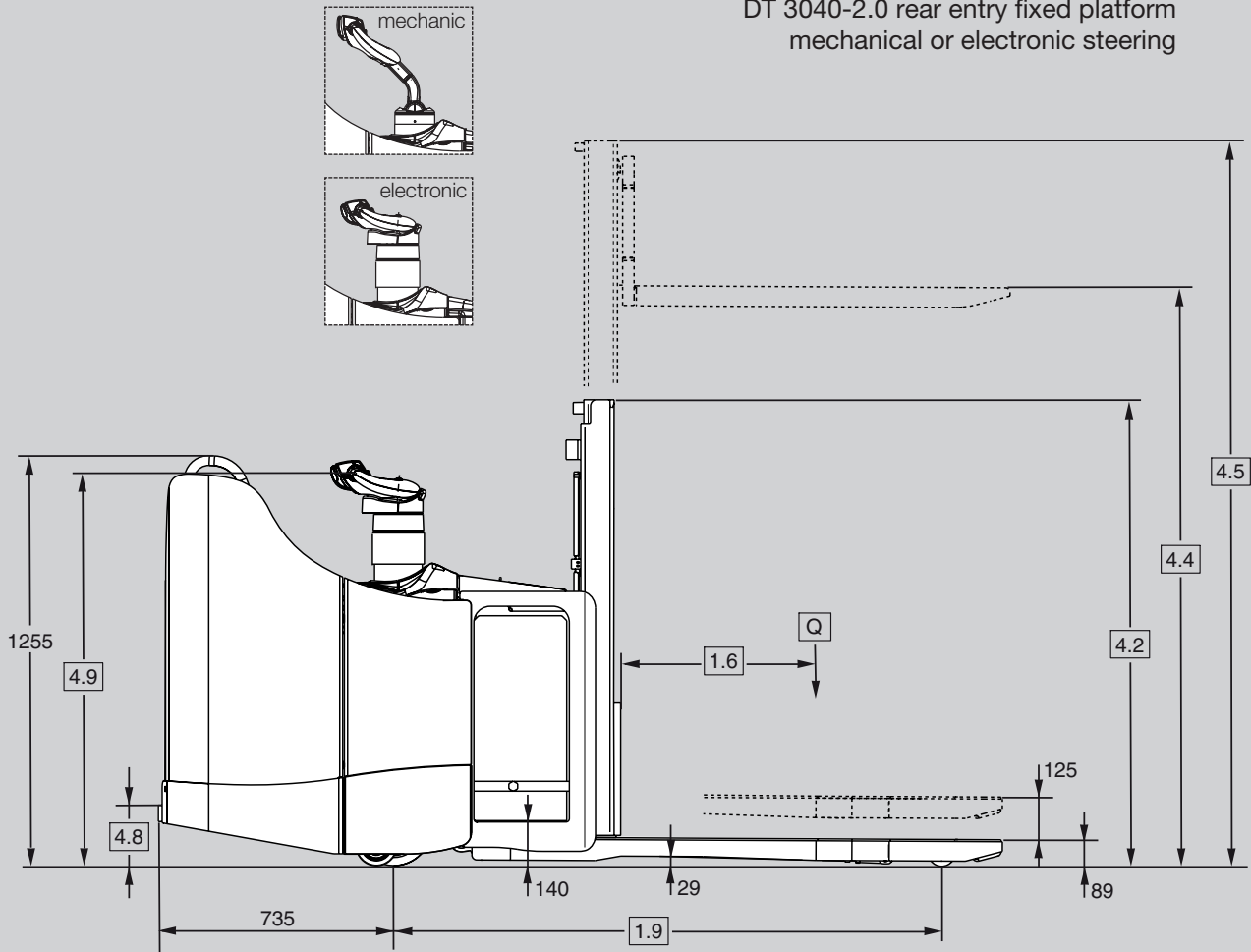
DT 3040-2.0 without platform
mechanical steering



DT 3040-2.0 foldable platform
mechanical or electronic steering



DT 3040-2.0 rear entry fixed platform
mechanical or electronic steering



DT 3040-2.0 side entry fixed platform
electronic steering

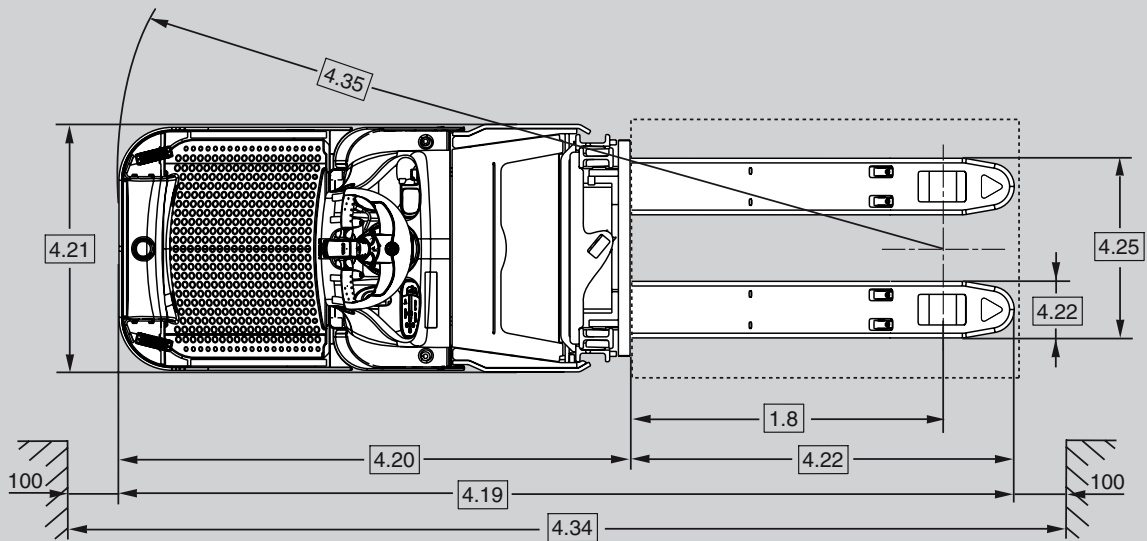
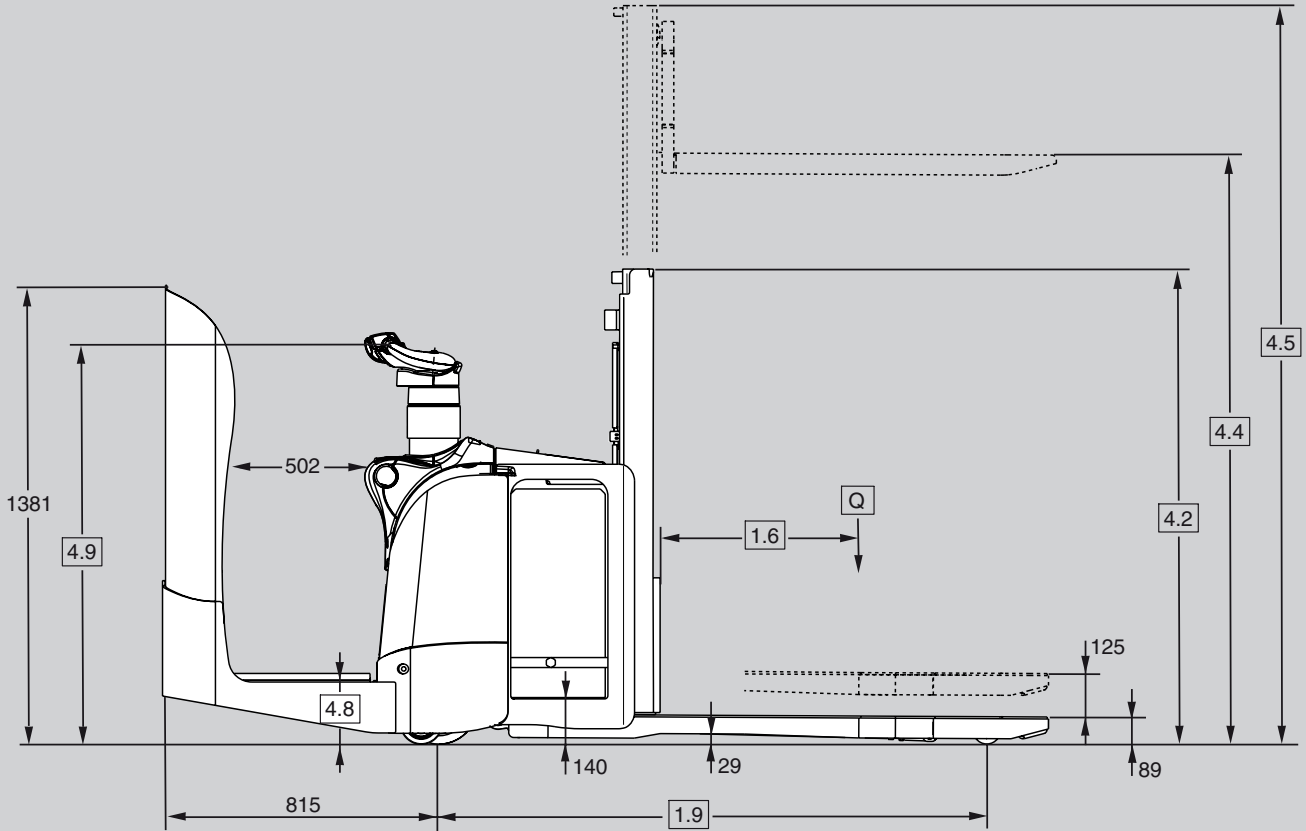


Table 1

		DT 3000-2.0																
1.2	Model	platform type		without platform					foldable platform					rear entry		side entry		
		steering type		mechanical					mechanical		electric			mechanical	electric			
1.4	Operator Type			pedestrian					pedestrian / stand-on					stand-on				
	Mast Type			TL	TL	TF	TL	TF	TL	TF	TL	TF	TL	TF	TL			
2.1	Weight	less battery		kg	810	840	830	860	950	930	960	1050	960	990	1080	1049	1093	1078
2.2	Axle Load	w. load	front	kg	1835	1865	1855	1885	1930	1920	1935	1980	1890	1905	1950	1933	1943	1938
			rear	kg	1225	1255	1245	1275	1320	1310	1325	1370	1370	1385	1430	1418	1452	1442
2.3	Axle Load	w.o. load	front	kg	185	215	205	235	280	270	285	330	280	295	340	263	283	288
			rear	kg	875	905	895	925	970	960	975	1020	960	975	1020	1088	1112	1092
4.2	Mast	collapsed height	h1	mm	1270	1430	1270	1430	1740	1270	1430	1740	1270	1430	1740	1270	1270	1270
4.3	Free Lift		h2	mm	-	-	-	-	1355	-	-	1355	-	-	1355	-	-	-
4.4	Lift Height		h3+h13	mm	1670	2100	1670	2100	2600	1670	2100	2600	1670	2100	2600	1670		
4.5	Mast	extended height	h4	mm	2100	2500	2100	2500	3025	2100	2500	3025	2100	2500	3025	2100		
6.4	Battery Voltage	nominal capacity 5h rating	V/Ah		24 / 240				24 / 375									

Electric System / Batteries

24-volt electrical system with nominal battery capacities from 240 Ah to 375 Ah.

Battery compartment rollers for horizontal battery removal are standard.

Standard Equipment

- Maintenance free 3-phase (AC) traction and steering motors
- e-GEN™ Braking System offers regenerative and frictionless electric braking. Mechanical braking applies only as parking brake
- The X10® Control Handle places all truck functions at the operator's fingertips.
- Crown Access 1 2 3® Comprehensive System Control
 - LCD display
 - Hour meter
 - Keyless start up with PIN code
 - Start up and run time diagnostics
 - Battery discharge indicator and lift interrupt

- 3 selectable traction performance profiles
 - Onboard diagnostics with real time trouble-shooting capabilities
- FlexRide™ reduces vibrations and shocks to a minimum by combining (foldable platform only)
 - Soft floor mat with integrated presence sensor
 - Advanced platform suspension
 - Fully suspended drive unit
 - CAN-Bus technology
 - Sealed electrical Deutsch Connectors
 - Heavy-duty side restraints with soft side pads and quick-exit feature (foldable platform only)
 - Electric power disconnect switch
 - Vulkollan drive tyre, castor wheels and load wheels
 - Single load wheels
 - Ramp hold
 - Battery connector DIN 160A
 - Heavy-duty chassis with 10 mm thick steel skirt
 - Easily removable steel covers

- Hinged steel top battery cover for easy battery access
- Rabbit/turtle switch incorporates two levels of programmable travel performance
- Proportional lifting/lowering
- Heavy-duty castor wheels
- Fully suspended drive unit
- Soft floor mat with integrated presence sensor (platform trucks only)

Optional Equipment

- Without foldable platform
- Rear entry fixed platform
- Side entry fixed platform (electronic steering only)
- Weight-adjustable FlexRide (rear entry fixed platform only)
- Intelligent Electronic Steering System (platform trucks only)
 - Selectable performance profiles for speed reduction on curves
 - Tactile feedback feature analyses operational conditions and adjusts steering force for optimised control

- Active Traction System adjusts drive tyre pressure as load weight changes
- Outrigger lift/lower switches on left and right side of X10 Control Handle
 - Battery connector SBE 160 red
 - Rubber or Supertrac drive tyre
 - Tandem load wheels
 - Heavy-duty dual castor wheels
 - Freezer conditioning and corrosion protection
 - InfoLink® ready
 - Key switch or key pad
 - Load backrest
 - Work Assist accessory tube
 - Work Assist Accessories
 - Storage pockets
 - Scan gun holder
 - Small and medium clipboards
 - Mounting brackets for WMS terminals
 - Special paint
 - Metal mast grill

Electrical

24 volt electrical system managed by Crown's Access 1 2 3 Comprehensive System Control. Virtually maintenance-free AC traction motor provides strong acceleration and control at any speed. Sensors monitor functional parameters including steering, load weight, height, drive mode and speed, and adjusts operational settings automatically to suit conditions.

Power Unit

Designed to take the abuse of dock work, the rugged power unit features a reinforced 10 mm thick skirt to protect drive unit and castor components. A 12 mm skirt protects the battery and lift linkage. The contoured skirt provides greater ground clearance for working on ramps. Removable steel covers all around ensure internal components are protected against impacts yet easily accessible for service.

Operator Area and Controls

The DT 3000 Series incorporates numerous design features to improve operator comfort and productivity.

The folding FlexRide platform reduces shock transfer to the operator by more than 80 percent. Dock boards can be crossed without reducing speed. The lifetime platform suspension never requires adjustment and features solid state induction switches to avoid reliability issues caused by contaminants.

Heavy-duty side restraints feature 50 mm heavy-wall steel tubing and rugged C-clamp mounting system. Soft polyurethane side pads are positioned for excellent support and comfort.

The quick-exit feature (patent pending) allows the restraints to swing up for faster access to the load.

Fixed platform models feature a patented Entry Bar Safety Switch which stops the truck if the operator's foot is outside the truck perimeter. Low step height and wide, rounded access make it easy to step on and off the truck. The rear-entry platform incorporates large side cushions for soft support in side-stance position. A contoured lean pad on the side entry platform provides a soft contact surface to lean against.

Patented weight-adjustable FlexRide – optional on the rear entry model - provides the ultimate rider comfort by tuning the suspension for the operator's body weight.

The X10 Control Handle, designed for simultaneous operation of all functions with one hand, improves side-stance operation for maximum visibility in both driving directions. An ergonomic forward/reverse thumb wheel allows for precise manoeuvring. The hand grips are urethane covered for insulation from cold and vibration with integrated horn buttons for easy activation.

A rabbit/turtle switch incorporates two levels of programmable travel performance so operators can select the setting that matches their experience level or application requirements.

Available electronic steering improves manoeuvrability and responsiveness, even with heavy loads. An intelligent tactile feedback feature analyses operational conditions and adjusts steering force for greater driver confidence. Combined with Active Traction and speed control on curves,

electronic steering safely delivers top driving performance.

Proportional lift and lowering allows easy and precise positioning of loads. The fast responsiveness and speeds of the lifting and lowering functions are designed to meet the high demanding double stacker applications and all this together at a low noise level.

Access 1 2 3® Comprehensive System Control

Crown's Access 1 2 3 technology provides optimum performance and control by offering a communications interface for the operator and service engineer, intelligent coordination of lift truck systems and simplified service with advanced diagnostics.

The display includes a full featured on-board service tool so service engineers can actively view inputs and outputs during truck operation. No laptop or service terminal is required. Event code history, including the last 16 events, is accessible through the display.

The display provides a convenient interface for operators, keeping them informed (hour meter, BDI, operator messages, service codes) of any changes impacting truck performance and allowing them to choose from three performance profiles when enabled. Performance tuning can be accessed at the display to customise truck performance for specific applications or operator requirements. In addition, up to 25 PIN codes can be assigned to individual operators and matched to one of the pre-programmed performance profiles if desired.

Power Unit Suspension

The drive unit suspension utilises hard-plated chrome rods and sealed slide bushings for long life without adjustment. The suspension provides 60 mm of travel with constant drive tyre pressure for excellent performance on ramps. The system reduces shocks to the chassis, mounted components and the operator.

Active Traction, standard on trucks with electronic steering, uses hydraulic pressure to increase traction. Reduced slipping and improved braking are especially helpful on steep or wet ramps.

e-GEN™ Braking System

The power of the high-torque AC traction motor is used to stop the truck and keep it static until a travel input is requested, even when operating on a gradient. This system eliminates adjustments and wear points for a lifetime of maintenance free use.

An automatic parking brake activates if the truck is stopped and the operator leaves the platform or power is disconnected.

Safety Regulations

Conforms to European safety standards.

Dimensions and performance data given may vary due to manufacturing tolerances. Performance is based on an average size vehicle and is affected by weight, condition of truck, how it is equipped and the conditions of the operating area. Crown products and specifications are subject to change without notice.

