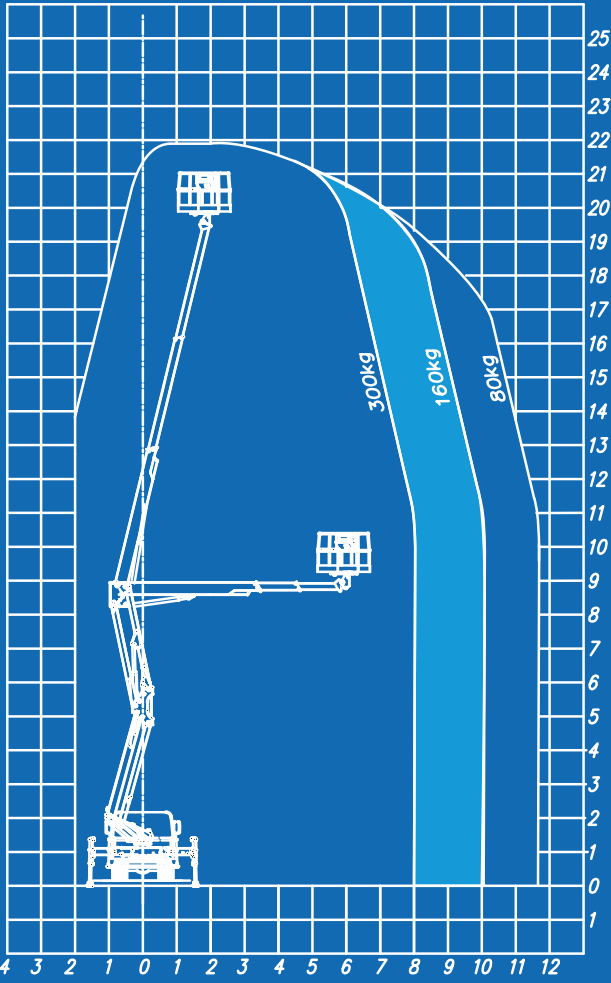
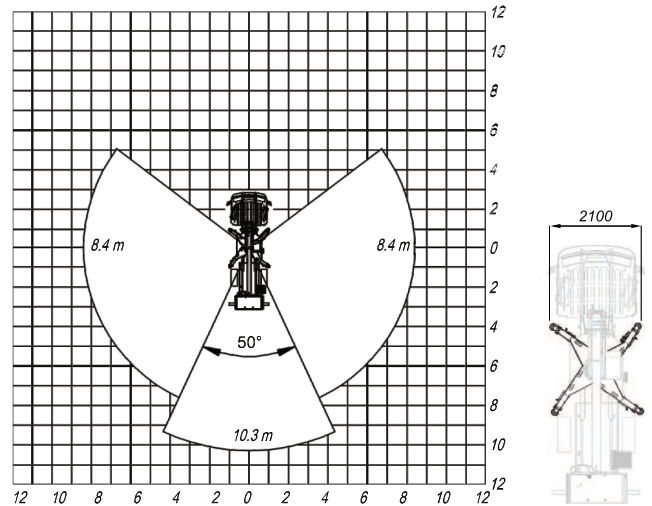
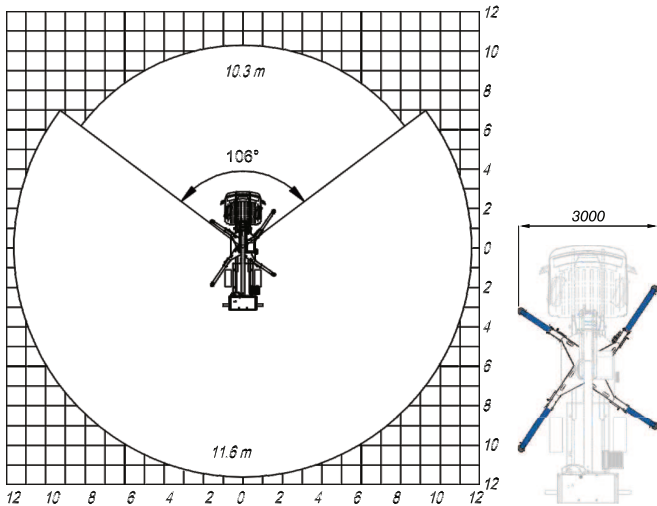
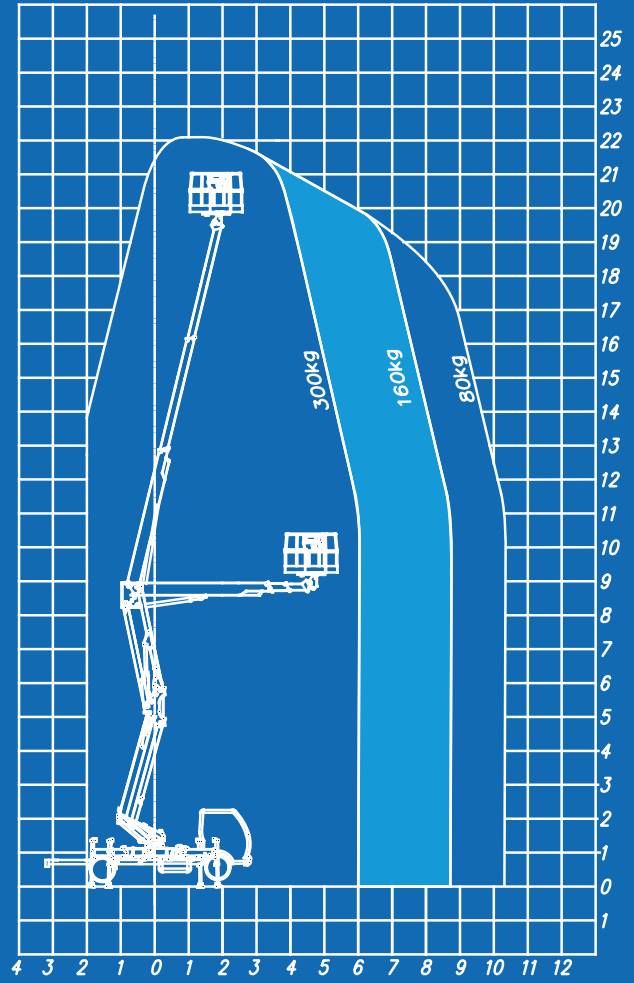


maximum



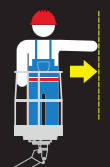
medium



22,00 m



20,00 m



12,00 m

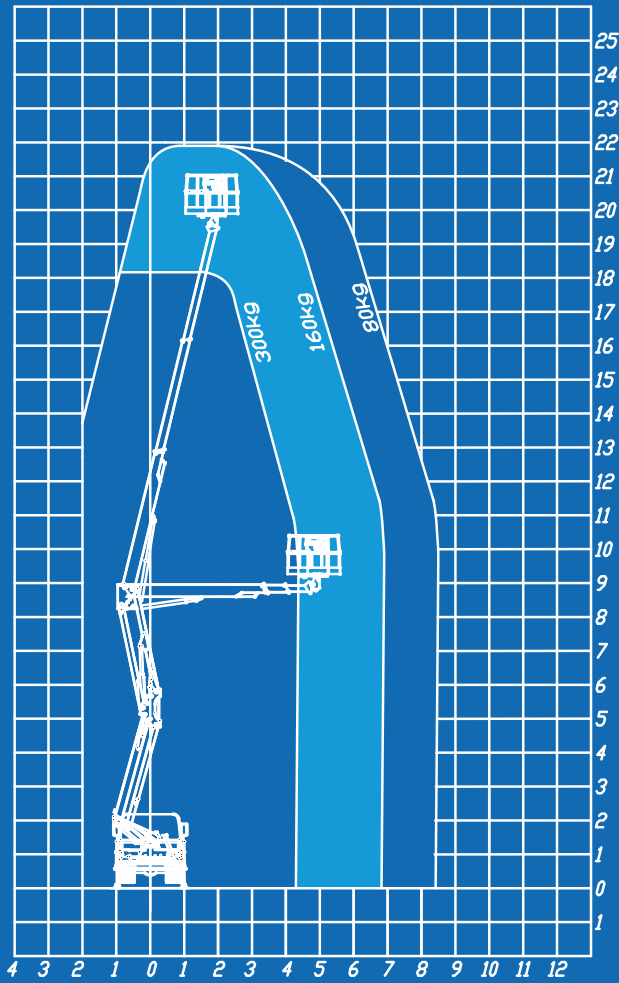


300 kg



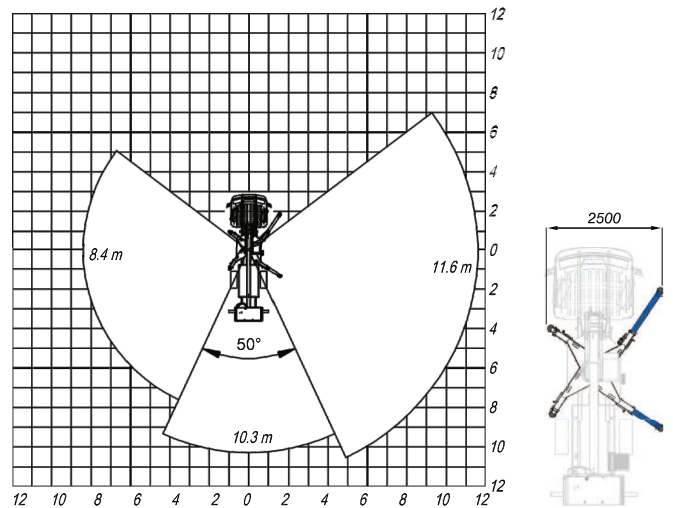
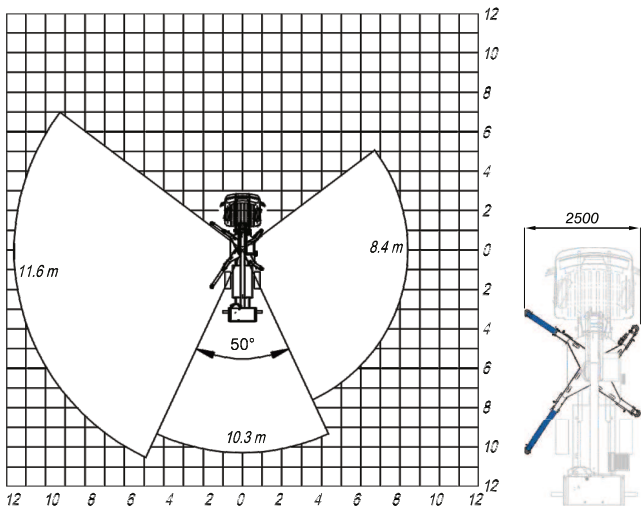
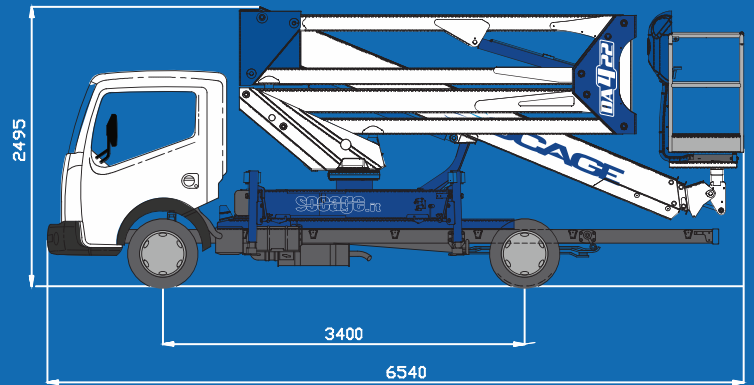
1,4x0,7x1,1 m

minimum



**DA422**  
forSte.it

**X**FACTOR



700°



alluminium



90°+90°



ME+ME



Hydraulic