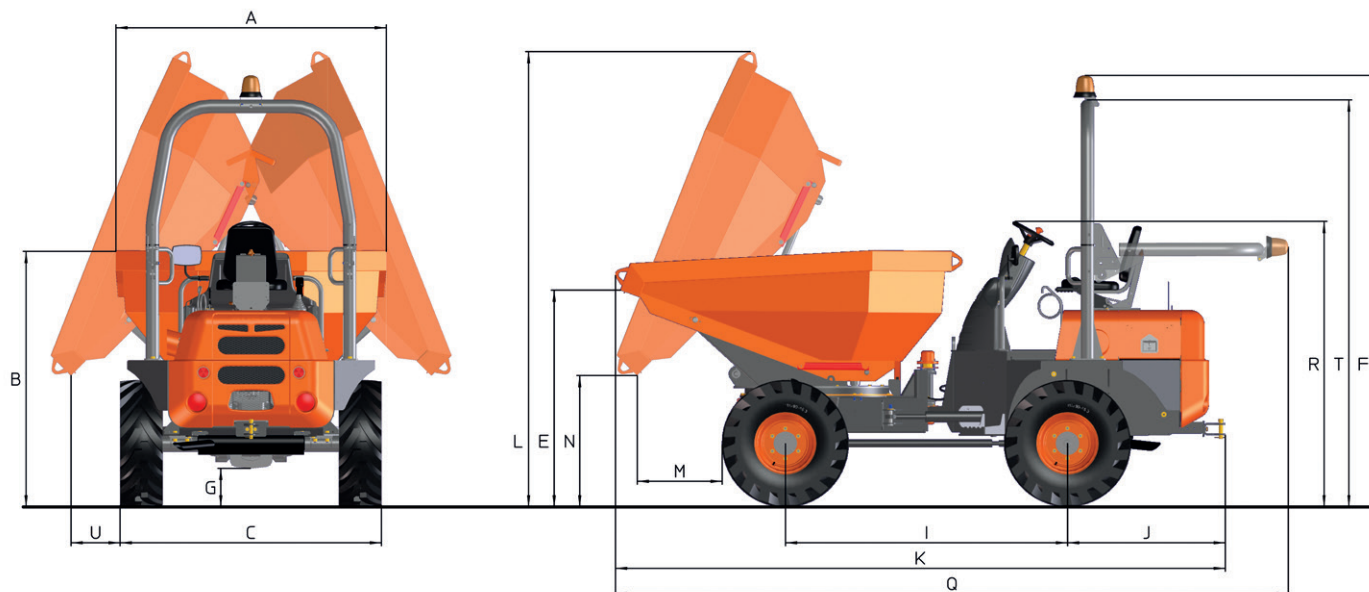




## TECHNICAL DATA

GENERAL		D 601 APG
Unloading system	-	Rotating
Load capacity	kg	6000
Chassis	-	Articulated and oscillating
Water hopper capacity	l	1665
Level hopper capacity	l	2455
Heaped hopper capacity	l	3154
Empty weight	kg	4696
Transmission	-	Powershuttle
<b>ENGINE</b>		
Brand	-	DEUTZ
Model	-	TD 3.6 L4
Power	kW	55.4
Operating speed	rpm	2200
Torque	N-m@rpm	340@1500
No. of cylinders	-	4
Emissions	-	Stage V
Injection	-	Common Rail
Exhaust aftertreatment	-	DPF (Diesel particulate filter)
Noise	dB(A)	101
<b>DRIVING</b>		
Max. speed	km/h	27,7
Maximum gradient	%	45
External turning radius	mm	5900
Traction	-	4x4
Tyres	-	405/70-20" (16.0/70-20)
<b>HYDRAULIC SYSTEM</b>		
Hydraulic circuit	-	23 cc double gear pump
Flow rate	l/min	46
Working pressure	bar	180
<b>TANK CAPACITY</b>		
Fuel	l	69
Hydraulic system	l	60
<b>BRAKES</b>		
Service	-	Sealed brakes with multiple discs in oil. Hydraulic drive
Parking	-	Sealed brakes with multiple discs in oil. Negative

## DIMENSIONS



DIMENSIONS (mm)	D 601 APG
A	2197
B	2103
C	2206
E	1736
F	3428
G	402
I	2490
J	1340
K	4910
L	3634
M	532
N	1212
Q	5413
R	2232
T	3256
U	102



[www.ausa.com](http://www.ausa.com)

Products are subject to modifications without prior notice. Images throughout the spec sheet may refer to non-standard machines or non-available configurations depending on models.

AUSA's logo and corporate identity are property of the Company, they cannot be used without authorization.