

## ENGINE

Model	ISUZU AM-4JJ1X Tier 4 Interim Certified (Cooled EGR)	
Fuel	Requires ultra low-sulfur fuel B5 biodiesel tolerant	
Type	Water-cooled, 4-cycle, high pressure common rail system. Turbo-charged with air cooled intercooler, DPD system	
Cylinders	4-cylinder in-line	
Displacement	183 in <sup>3</sup> (3.0 L)	
Bore / Stroke	3.76 in x 4.13 in (95.4 x 104.9 mm)	
Fuel injection	Direct injection (electronic)	
Fuel filter	Replaceable, full flow spin-on cartridge	
Air filter	Dry type element w/ warning restriction indicator	
Oil filter	Replaceable, full flow spin-on cartridge	
Engine oil operating angle ratings:		
Side-to-side	Rated 35°	
Fore and aft	Rated 35°	
Net horsepower – SAE J1349	124 hp (92 .2 kW) @ 2200 RPM	
Net maximum torque – SAE J1349	288 lbf-ft (391 N-m) @ 1800 RPM	
Cooling	110° to -13°F (43° to -25°C) at 55% concentration	
Oil	Requires low-ash oil (CJ-4)	

## SERVICE CAPACITIES

Fuel tank	79 gal (300 L)
Hydraulic system	44 gal (165 L)
Hydraulic tank	24 gal (90 L)
Engine oil w/ filter	4.5 gal (17 L)
Swing drive	5.3 qt (5.0 L)
Final drive (each side)	6.1 qt (5.8 L)
Cooling system	4.3 gal (16.2 L)

## ELECTRICAL

Voltage	24 Volts
Alternator rating	50 amp
Batteries	2 x 12 Volt
Battery Reserve Capacity	92 Ah / 5 hour
Work lights (4)	24 Volt / 70 watt (1 x boom; 1 x upper; 2 x cab)

## SWING MECHANISM

Swing speed	0 – 11.5 RPM
Swing torque	33,300 lb-ft (45,100 N-m)
Swing brake	Mechanical disc

## UNDERCARRIAGE

Length	13 ft 9 in (3.99 m)
Track gauge	6 ft 6 in (1.99 m)
Carrier rollers	2 per side
Track rollers	7 per side
Shoes – triple grouser	44 per side
Shoe width (std.)	23.6 in (600 mm)
Link pitch	7.5 in (190 mm)
Track:	
Chain	Grease lubricated / strutted
Guides	Single
Adjustment	Hydraulic

## GROUND PRESSURE

@ Standard operating weight	5.9 psi (.41 bar)
w/ 23.6 in (600 mm) triple semi-grouser shoes	

## HYDRAULICS

System design	Open center
Main pumps	Two variable displacement/ axial pistons
Max. rated flow:	2 x 55.7 GPM (2 x 211 L/min)
System pressures:	
Boom, arm & bucket	4,970 psi (350 bar)
Boom, arm & bucket w/ power boost	5,330 psi (375 bar)
Travel circuits	4,970 psi (350 bar)
Swing circuits	3,920 psi (275 bar)
Pilot pump	1 x gear design
Max. capacity	4.8 gpm (18 L/min)
Controls	With boom / arm holding valve
Right track travel, bucket, boom and arm acceleration.	Four-spool section
Left track travel, auxiliary, swing, boom acceleration.	Five-spool section
Work mode selections	SP: Speed priority H: Heavy duty A: Automatic
Swing motor	Fixed displacement axial piston
Swing final drive	Planetary gear reduction
Travel motor	Two-speed independent travel / axial piston

## HYDRAULIC CYLINDERS

Boom cylinder	Two (2)
Bore diameter	4.5 in (115 mm)
Rod diameter	3.2 in (80 mm)
Stroke	46.4 in (1179 mm)
Arm cylinder	One (1)
Bore diameter	4.9 in (125 mm)
Rod diameter	3.5 in (90 mm)
Stroke	50.4 in (1280 mm)
Bucket cylinder	One (1)
Bore diameter	4.1 in (105 mm)
Rod diameter	3.0 in (75 mm)
Stroke	38.8 in (1010 mm)

## DRIVETRAIN

Travel control	Dual stage relief/ counter balance design
Brakes	Mechanical disc
Service brakes	SAHR disc (each motor)
Two speed travel:	
Max. high speed	3.4 mph (5.4 kph)
Max. low speed	1.7 mph (2.8 kph)
	Automatic downshift
Drawbar pull	36,200 lbf (161 kN)
Gradeability	70% (35°)

## CAB AND CONTROLS

Air-conditioner output	18,100 BTU/hr
Heater output	20,150 BTU/hr
Sound level – ISO6395 (inside cab)	70.0 dBa
Electrical outlet	12 Volt
Cab interior light (1)	10 watt
Rear-view camera (1)	Std.
Seat	Air-suspension

## ATTACHMENT

Boom	16 ft 9 in (5.15 m)
Arm options	8 ft 7 in (2.62 m)
Bucket digging force*	25,200 lbf (112 kN)
w/ Auto Power-Boost	26,500 lbf (118 kN)

\*Digging force ratings based on ISO6015

## OPERATING WEIGHT

Operating weight	38,001 lb (17 237 kg)
w/ shoes	23.6 in (600 mm)
w/ boom	16 ft 9 in (5.15 m)
w/ arm	8 ft 7 in (2.62 m)
w/ bucket	1,067 lb (484 kg)
w/ counterweight	4,850 lb (2200 kg)
w/ operator / full fuel / standard equipment	

# LIFT CAPACITIES

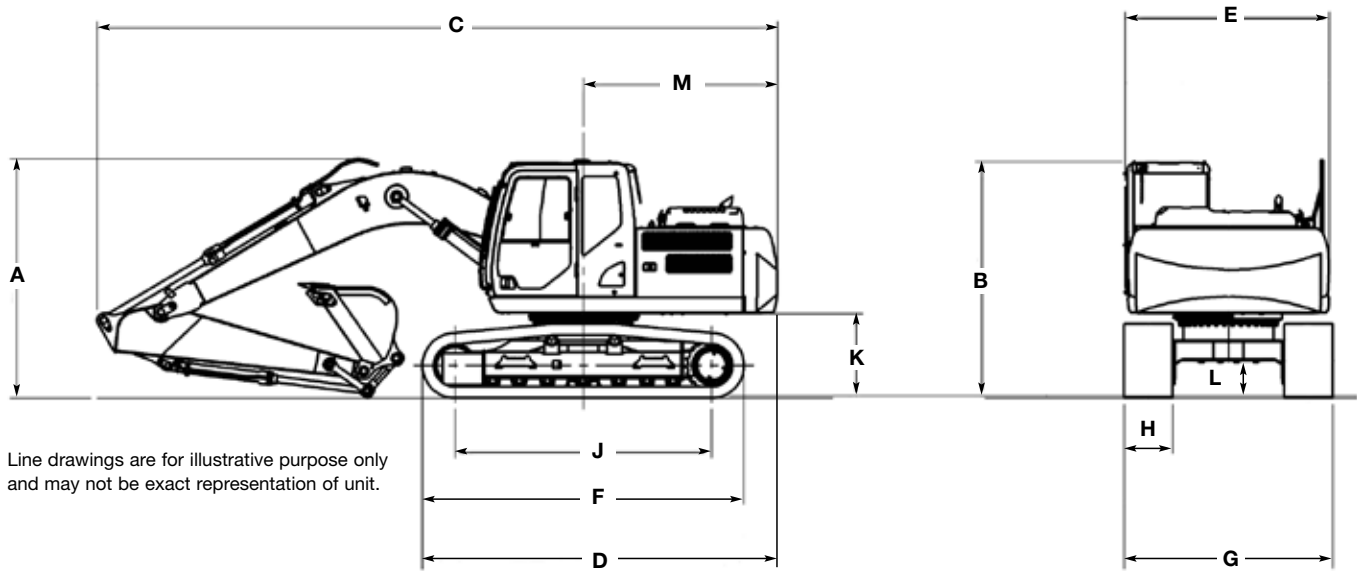
**8 ft 7 in (2.62 m) Arm** Lift capacities calculated using a 1,050 lb (476 kg) bucket, 4,850 lb (2200 kg) counterweight.

Load (Lift Point) Height	5 ft (1.52 m)		10 ft (3.05 m)		15 ft (4.57 m)		20 ft (6.1 m)		25 ft (7.62 m)		MAXIMUM REACH		
	END	SIDE	END	SIDE	END	SIDE	END	SIDE	END	SIDE	@	END	SIDE
+25 ft (7.62 m)							5,150 lb* (2336 kg)*	5,150 lb* (2336 kg)*			21 ft 0 in (6.40 m)	3,650 lb* (1656 kg)*	3,650 lb* (1656 kg)*
+20 ft (6.1 m)							7,100 lb* (3221 kg)*	7,100 lb* (3221 kg)*			25 ft 0 in (7.62 m)	3,300 lb* (1497 kg)*	3,300 lb* (1497 kg)*
+15 ft (4.57 m)							9,200 lb* (4173 kg)*	7,000 lb (3175 kg)	6,750 lb* (3062 kg)*	4,650 lb (2109 kg)	27 ft 4 in (8.33 m)	3,200 lb* (1451 kg)*	3,200 lb* (1451 kg)*
+10 ft (3.05 m)			18,500 lb* (8391 kg)*	18,500 lb* (8391 kg)*	13,350 lb* (6055 kg)*	10,450 lb (4740 kg)	10,400 lb (4717 kg)	6,600 lb (2994 kg)	7,150 lb (3243 kg)	4,500 lb (2041 kg)	28 ft 5 in (8.66 m)	3,250 lb* (1474 kg)*	3,250 lb* (1474 kg)*
+5 ft (1.52 m)			21,350 lb* (9684 kg)*	17,600 lb (7983 kg)	15,900 lb (7212 kg)	9,600 lb (4354 kg)	9,950 lb (4513 kg)	6,150 lb (2790 kg)	6,950 lb (3152 kg)	4,250 lb (1928 kg)	28 ft 7 in (8.71 m)	3,450 lb* (1565 kg)*	3,350 lb (1520 kg)
Ground- line			17,200 lb* (7802 kg)*	16,250 lb (7371 kg)	15,150 lb (6872 kg)	8,950 lb (4060 kg)	9,550 lb (4332 kg)	5,800 lb (2631 kg)	6,750 lb (3062 kg)	4,100 lb (1860 kg)	27 ft 8 in (8.43 m)	3,850 lb* (1746 kg)*	3,450 lb (1565 kg)
-5 ft (-1.52 m)	13,450 lb* (6101 kg)*	13,450 lb* (6101 kg)*	21,950 lb* (9956 kg)*	16,450 lb (7462 kg)	14,850 lb (6736 kg)	8,700 lb (3946 kg)	9,400 lb (4264 kg)	5,650 lb (2563 kg)	6,700 lb (3039 kg)	4,050 lb (1837 kg)	25 ft 10 in (7.87 m)	4,550 lb* (2064 kg)*	3,850 lb (1746 kg)
-10 ft (-3.05 m)	19,550 lb* (8868 kg)*	19,550 lb* (8868 kg)*	28,000 lb* (12 701 kg)*	16,750 lb (7598 kg)	14,950 lb (6781 kg)	8,800 lb (3992 kg)	9,500 lb (4309 kg)	5,800 lb (2631 kg)			22 ft 8 in (6.91 m)	6,000 lb* (2722 kg)*	4,750 lb (2155 kg)
-15 ft (-4.57 m)	28,400 lb* (12 882 kg)*	28,400 lb* (12 882 kg)*	22,600 lb* (10 251 kg)*	17,400 lb (7893 kg)	15,100 lb (6849 kg)	9,350 lb (4241 kg)					17 ft 10 in (5.44 m)	10,550 lb* (4785 kg)*	7,000 lb (3175 kg)

**10 ft 0 in (3.04 m) Arm** Lift capacities calculated using a 950 lb (431 kg) bucket, 4,850 lb (2200 kg) counterweight.

Load (Lift Point) Height	0 ft (0 m)		5 ft (1.52 m)		10 ft (3.05 m)		15 ft (4.57 m)		20 ft (6.1 m)		25 ft (7.62 m)		MAXIMUM REACH		
	END	SIDE	END	SIDE	END	SIDE	END	SIDE	END	SIDE	END	SIDE	@	END	SIDE
+25 ft (7.62 m)									4,850 lb* (2200 kg)*	4,850 lb* (2200 kg)*			22 ft 7 in (6.88 m)	3,400 lb* (1542 kg)*	3,400 lb* (1542 kg)*
+20 ft (6.1 m)									6,550 lb* (2971 kg)*	6,550 lb* (2971 kg)*	4,800 lb* (2177 kg)*	4,800 lb* (2177 kg)*	26 ft 4 in (8.03 m)	3,100 lb* (1406 kg)*	3,100 lb* (1406 kg)*
+15 ft (4.57 m)									8,400 lb* (3810 kg)*	7,150 lb (3243 kg)	6,550 lb* (2971 kg)*	4,750 lb (2155 kg)	28 ft 6 in (8.68 m)	3,050 lb* (1383 kg)*	3,050 lb* (1383 kg)*
+10 ft (3.05 m)					16,350 lb* (7416 kg)*	16,350 lb* (7416 kg)*	12,200 lb* (5534 kg)*	10,700 lb (4853 kg)	10,150 lb* (4604 kg)*	6,700 lb (3039 kg)	7,250 lb (3289 kg)	4,550 lb (2064 kg)	29 ft 7 in (9.02 m)	3,150 lb* (1429 kg)*	3,150 lb* (1429 kg)*
+5 ft (1.52 m)					24,150 lb* (10 954 kg)*	18,150 lb (8233 kg)	15,900 lb (7212 kg)	9750 lb (4423 kg)	10,050 lb (4559 kg)	6,250 lb (2835 kg)	7,000 lb (3175 kg)	4,300 lb (1950 kg)	29 ft 8 in (9.04 m)	3,350 lb* (1520 kg)*	3,150 lb (1429 kg)
Ground- line			7,250 lb* (3289 kg)*	7,250 lb* (3289 kg)*	19,350 lb* (8777 kg)*	16,550 lb (7507 kg)	15,200 lb (6895 kg)	9,000 lb (4082 kg)	9,600 lb (4354 kg)	5,850 lb (2654 kg)	6,750 lb (3062 kg)	4,100 lb (1860 kg)	28 ft 10 in (8.78 m)	3,750 lb* (1701 kg)*	3,250 lb (1474 kg)
-5 ft (-1.52 m)	10,300 lb* (4672 kg)*	10,300 lb* (4672 kg)*	12,700 lb* (5761 kg)*	12,700 lb* (5761 kg)*	22,000 lb* (9979 kg)*	16,250 lb (7371 kg)	14,800 lb (6713 kg)	8,650 lb (3924 kg)	9,350 lb (4241 kg)	5,650 lb (2563 kg)	6,650 lb (3016 kg)	4,000 lb (1814 kg)	27 ft 1 in (8.25 m)	4,450 lb* (2018 kg)*	3,550 lb (1610 kg)
-10 ft (-3.05 m)	13,750 lb* (6237 kg)*	13,750 lb* (6237 kg)*	17,950 lb* (8142 kg)*	17,950 lb* (8142 kg)*	28,850 lb* (13 086 kg)*	16,500 lb (7484 kg)	14,800 lb (6713 kg)	8,700 lb (3946 kg)	9,400 lb (4264 kg)	5,650 lb (2563 kg)			24 ft 1 in (7.34 m)	5,800 lb* (2631 kg)*	4,300 lb (1950 kg)
-15 ft (-4.57 m)			28,300 lb* (12 837 kg)*	28,300 lb* (12 837 kg)*	24,650 lb* (11 181 kg)*	17,050 lb (7734 kg)	15,100 lb (6849 kg)	9,050 lb (4105 kg)					19 ft 7 in (5.97 m)	9,300 lb* (4218 kg)*	6,000 lb (2722 kg)

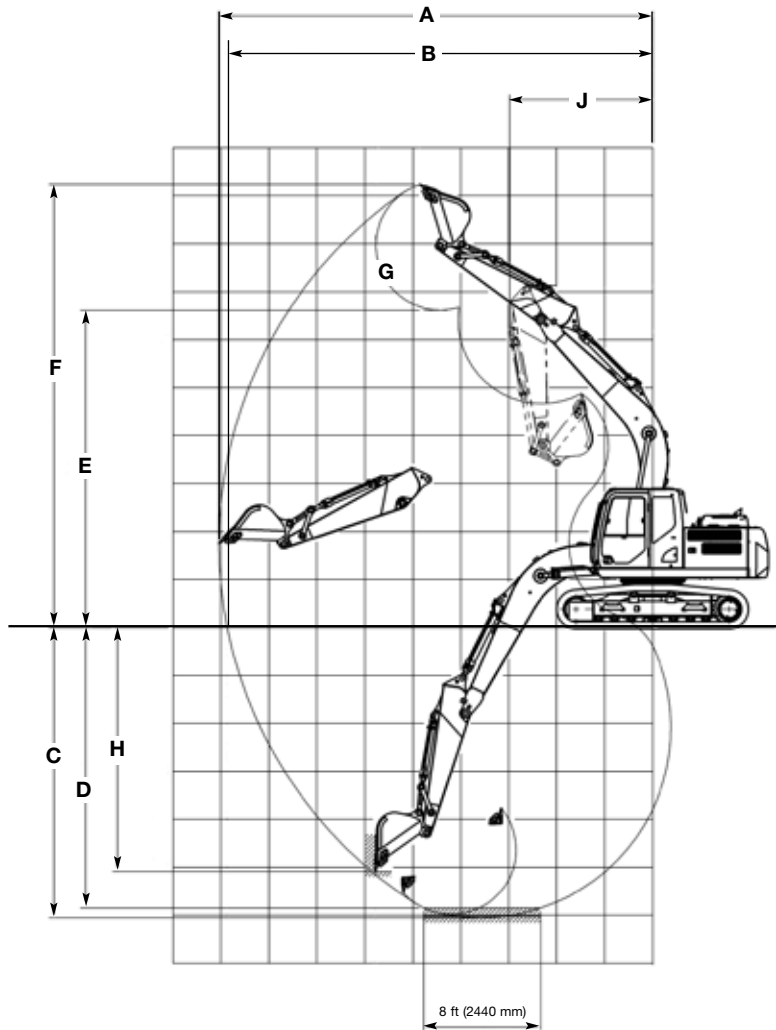
NOTE: \*Lift capacities do not exceed 75% of the minimum tipping load or 87% of the hydraulic lift capacity.  
Capacities that are marked with an asterisk are hydraulic limited.



## DIMENSIONS

	8 ft 7 in (2.62 m) Arm	9 ft 11 in (3.01 m) Arm
<b>A.</b> Overall height (w/ attachment)	9 ft 8 in (2.98 m)	10 ft 9 in (3.31 m)
<b>B.</b> Cab height	9 ft 8 in (2.98 m)	9 ft 8 in (2.98 m)
<b>C.</b> Overall length (w/ attachment)	27 ft 7 in (8.44 m)	27 ft 9 in (8.50 m)
<b>D.</b> Overall length (w/o attachment)	14 ft 5 in (4.41 m)	14 ft 5 in (4.41 m)
<b>E.</b> Width of upperstructure	8 ft 3 in (2.54 m)	8 ft 3 in (2.54 m)
<b>F.</b> Track overall length	13 ft 1 in (3.99 m)	13 ft 1 in (3.99 m)
<b>G.</b> Track overall width w/ 23.6 in (600 mm) shoes	8 ft 5 in (2.59 m)	8 ft 5 in (2.59 m)
<b>H.</b> Track shoe width	23.6 in (600 mm)	23.6 in (600 mm)
<b>J.</b> Center to center (idler to sprocket)	10 ft 5 in (3.19 m)	10 ft 5 in (3.19 m)
<b>K.</b> Upperstructure ground clearance	3 ft 4 in (1.02 m)	3 ft 4 in (1.02 m)
<b>L.</b> Minimum ground clearance	17 in (0.44 mm)	17 in (0.44 mm)
<b>M.</b> Rear tail swing radius	9 ft 8 in (2.99 m)	7 ft 7 in (3.05 m)
Operating weight*	38,001 lb (17 237 kg)	38,160 lb (17 309 kg)
Ground pressure	5.9 psi (.41 bar)	5.9 psi (.41 bar)

\*With 23.6 in (600 mm) track shoe, 1,067 lb (484 kg) bucket, 165 lb (75 kg) operator, full fuel and standard equipment.



## PERFORMANCE SPECS

	8 ft 7 in (2.62 m) Arm	9 ft 11 in (3.01 m) Arm
<b>A.</b> Maximum dig radius	29 ft 7 in (9.04 m)	30 ft 8 in (9.38 m)
<b>B.</b> Dig radius at groundline	29 ft 10 in (8.87 m)	30 ft 3 in (9.22 m)
<b>C.</b> Maximum dig depth	19 ft 9 in (6.06 m)	21 ft 3 in (6.49 m)
<b>D.</b> Dig depth – 8 ft 0 in (2.44 m) level bottom	19 ft 2 in (5.85 m)	20 ft 6 in (6.29 m)
<b>E.</b> Dump height	21 ft 7 in (6.61 m)	21 ft 10 in (6.69 m)
<b>F.</b> Maximum reach height	30 ft 3 in (9.24 m)	30 ft 5 in (9.29 m)
<b>G.</b> Bucket rotation	178°	178°
<b>H.</b> Maximum vertical wall dig depth	16 ft 7 in (5.08 m)	17 ft 13 in (5.22 m)
<b>J.</b> Minimum swing radius	9 ft 5 in (2.90 m)	10 ft 0 in (3.05 m)
Arm digging force:		
Standard	17,800 lb (79.0 kN)	16,200 lb (72.0 kN)
Power Boost	18,800 lb (84.0 kN)	17,300 lb (77.0 kN)
Bucket digging force:		
Standard	25,200 lb (112.0 kN)	25,200 lb (112.0 kN)
Power Boost	26,500 lb (118.0 kN)	26,500 lb (118.0 kN)

\*Machine equipped with Standard Boom.

## STANDARD EQUIPMENT

### ENGINE

Isuzu four-cylinder turbo-charged diesel  
Certified Tier 4 Interim (CEGR)  
Electronic fuel injection  
High pressure common rail system  
Diesel Particulate Defuser System (DPD)  
Neutral safety start  
Auto-engine warm up  
Glow-plug pre-heat  
EPF (Engine Protection Feature)  
Dual-stage fuel filtration  
Dual element air filter  
Remote oil filter  
Green plug oil drain  
500-hour engine oil change interval  
24-volt system  
Requires CJ-4 engine oil  
Requires ultra low-sulfur fuel

### FUEL ECONOMY SYSTEMS

Engine Idle/Fuel Economy System:  
Auto-idle  
One-touch idle  
Idle shut-down  
BEC – boom economy control  
AEC – auto economy control  
SWC – swing relief control  
SSC – spool stroke control

### HYDRAULICS

Auto power boost  
Auto swing priority  
Auto travel speed change  
Selectable work modes

### HYDRAULICS (continued)

ISO pattern controls  
Pre-set auxiliary pump settings  
Auxiliary valve  
Auxiliary pipe brackets  
5000-hour hydraulic oil change interval  
1000-hour hydraulic filter change interval  
SAHR brake

### UPPERSTRUCTURE

Right and left side mirrors  
Isolation mounted cab (fluid and spring)  
Common key vandal locks  
Upper mounted work light (70 watt)  
Swivel guard belly pan

### UNDERCARRIAGE

23.6 in (600 mm) steel shoes,  
triple semi-grouser  
Full overlap turntable bearing tub  
Single track chain guides  
Hydraulic track adjustment  
X-pattern carbody

### ATTACHMENT

Boom – 16 ft 11 in (5.15 m)  
Arm – 8 ft 7 in (2.62 m)  
Heavy-duty bucket linkage  
Boom mounted work light (70 watt)  
Auxiliary pipe brackets  
Centralized grease fittings  
Attachment cushion valve  
Arm and boom regeneration

### OPERATOR STATION

ROPS protection  
FOPS cab top guard (Level 1)  
Pressurized cab  
One-touch lock front window  
AC/heat/defrost w/ auto climate control  
Color monitor (7 in / 180 mm)  
Interior dome light  
Air-suspension seat (cloth)  
Seatbelt  
Adjustable armrests  
Tilting consoles – 4-position  
Low-effort joystick controls  
Sliding cockpit (7 in / 180 mm)  
Controls pre-wired for auxiliary  
Single padel travel  
Straight travel  
AM/FM radio w/ antenna and 2 speakers  
Aux-in port for personal electronics  
Rear-view camera  
Anti-theft system (start code system)  
Rubber floormat  
12-volt electric outlet  
24-volt cigarette lighter  
External rearview mirrors  
Cab mounted work lights (2 x 70 watt)  
Windshield wiper / washer  
Clear (polycarbonate) roof window w/ sunshade  
Cup holder  
Storage compartments  
Warm/cool storage compartment  
On-board diagnostic system  
Travel alarm with cancel switch  
One key start & lock-up

## OPTIONAL EQUIPMENT

### HYDRAULIC

Auxiliary hydraulics:  
Single acting / joystick activated  
Double acting / joystick activated  
Multi-function / joystick activated  
Secondary low-flow / joystick activated

### ATTACHMENT

Arm – 9 ft 11 in (3.01 m)  
Coupler / Case multi-pin grabber  
Buckets: Heavy duty / Extreme duty  
Load holding control  
Free swing (order kit through Service Parts)  
Hose Burst Check Valve (HBCV)

### OPERATOR STATION

Control pattern selector  
FOPS cab top guard (Level 2)  
Front grill guard – 2 x 2 screen mesh  
Front rock guard – vertical bars  
(two piece) / OPG 1  
Front rock guard – vertical bars  
(fixed / one piece) / OPG 2  
Vandal guard  
Rain deflector  
Sun visor  
Side-view camera

### UPPERSTRUCTURE

Refueling pump  
Rubber bumper guard  
(order through Service Parts)  
High ambient temperature cooling package

### UNDERCARRIAGE

27.6 in (700 mm) steel shoes,  
triple semi-grouser  
Track chain guides – triple

## BUCKETS

Application	Width	SAE Heaped Capacity
Heavy-duty	18 in to 48 in (0.46 m to 1.22 m)	0.36 yd <sup>3</sup> to 1.12 yd <sup>3</sup> (0.28 m <sup>3</sup> to 0.86 m <sup>3</sup> )
Heavy-duty High Capacity	18 in to 48 in (0.46 m to 1.22 m)	0.39 yd <sup>3</sup> to 1.28 yd <sup>3</sup> (0.30 m <sup>3</sup> to 0.98 m <sup>3</sup> )
Heavy-duty Coupler	18 in to 48 in (0.46 m to 1.22 m)	0.36 yd <sup>3</sup> to 1.12 yd <sup>3</sup> (0.28 m <sup>3</sup> to 0.86 m <sup>3</sup> )
Ditching	48 in or 60 in (1.22 m or 1.52 m)	0.79 yd <sup>3</sup> or 1.02 yd <sup>3</sup> (0.60 m <sup>3</sup> or 0.78 m <sup>3</sup> )

This page intentionally left blank.

**CASE** Customer  
Assistance  
1866-54-CASE6

NOTE: All specifications are stated in accordance with SAE Standards or Recommended Practices, where applicable.

NOTE: All engines meet current EPA emissions requirements.

IMPORTANT: Case Construction Equipment Inc. reserves the right to change these specifications without notice and without incurring any obligation relating to such change. Case Construction Equipment Inc. does not warrant the safety or reliability of attachments from other manufacturers.

Case is a registered trademark of CNH America LLC. Any trademarks referred to herein, in association with goods and/or services of companies other than CNH America LLC, are the property of those respective companies.

**CASE**  
CONSTRUCTION

[www.casece.com](http://www.casece.com)

