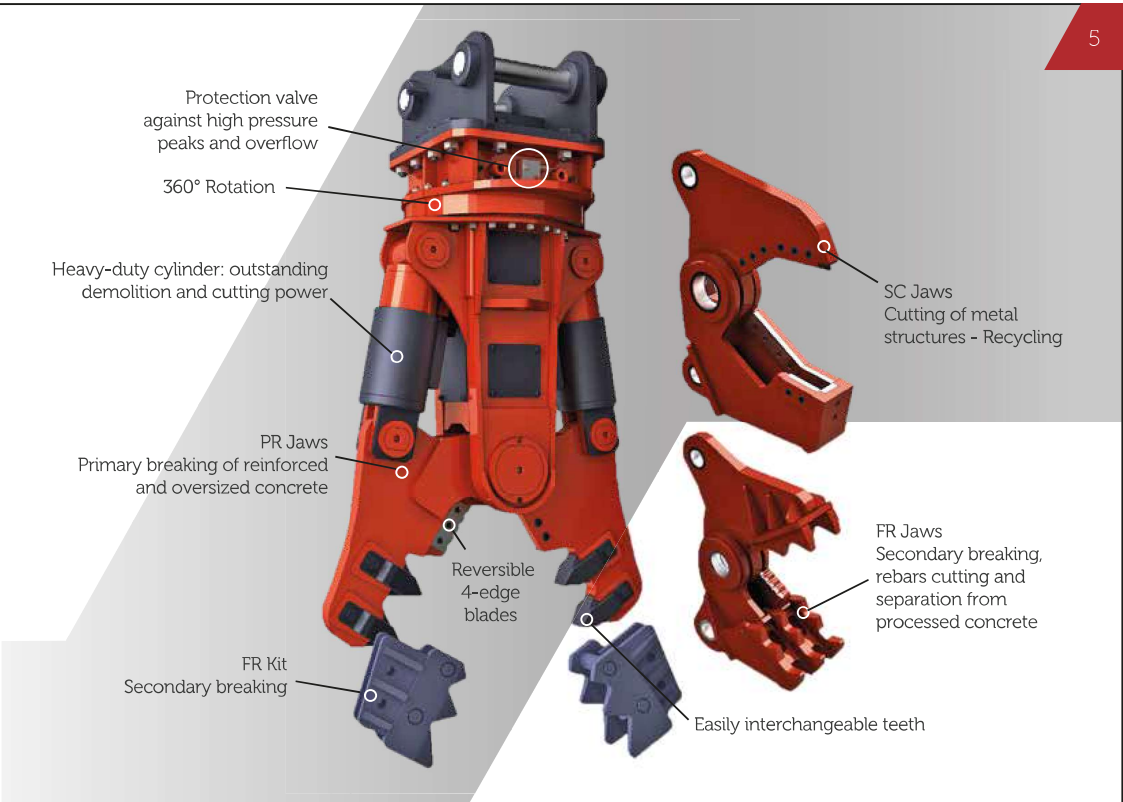
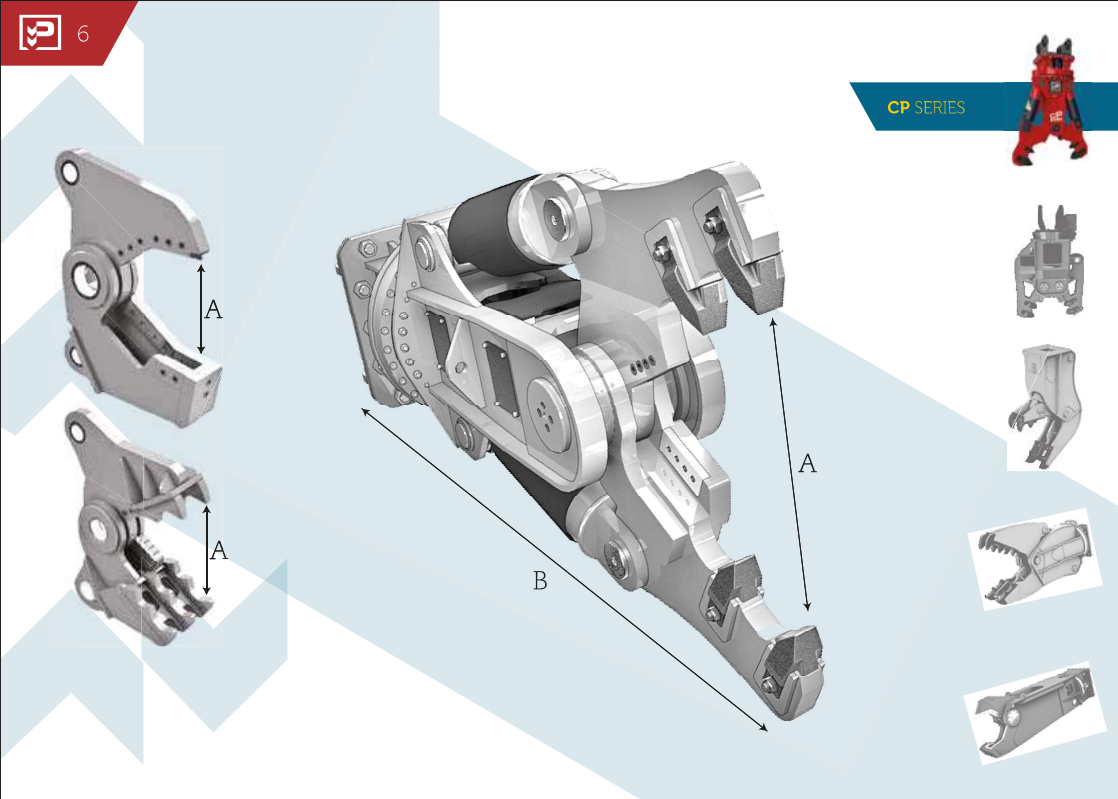




CP SERIES



MULTI-PROCESSING CRUSHERS



**CP SERIES**

Technical Specifications		CP300	CP600	CP1000	CP1510	CP1800	CP2510	CP4000	
Working weight	kg	380	620	1000	1500	1800	2500	3950	
Excavator weight	t	2/10	6/11	10/18	15/25	15/22	23/38	34/55	
Cylinder force	t	22	34	50	76	98	115	140	
Cylinders working pressure	bar	250	300	300	320	350	350	350	
Cylinders oil flow	l/min	30/50	60/120	60/120	100/180	150/200	170/250	300/350	
Rotation engine pressure	bar	80	100	100	100	120	100	120	
Rotation oil flow (min/max)	l/min	2/3	10/12	10/12	10/12	20/30	10/15	40/50	
Max jaws opening (A)	PR	mm	430	580	620	800	880	1230	
	SC	mm	220		330	400	340	500	580
Total height (B)	FR	mm	420		560	700	580	690	990
		mm	1100	1670	1500	1800	1930	2650	2600
Rotation		hydraulic or mechanical	hydraulic	hydraulic	hydraulic	hydraulic	hydraulic	hydraulic	

Cutting data with SC jaws								
	mm	80		100	140	180	240	360
	mm	60		100	120	140	180	260
	mm	30		35	40	40	50	65