

CM 520

Gru a torre

Tower crane

Grue a tour

Thkranurmdre

Scheda tecnica

Technical data sheet

Spécifiques techniques

Technische Spezifikationen

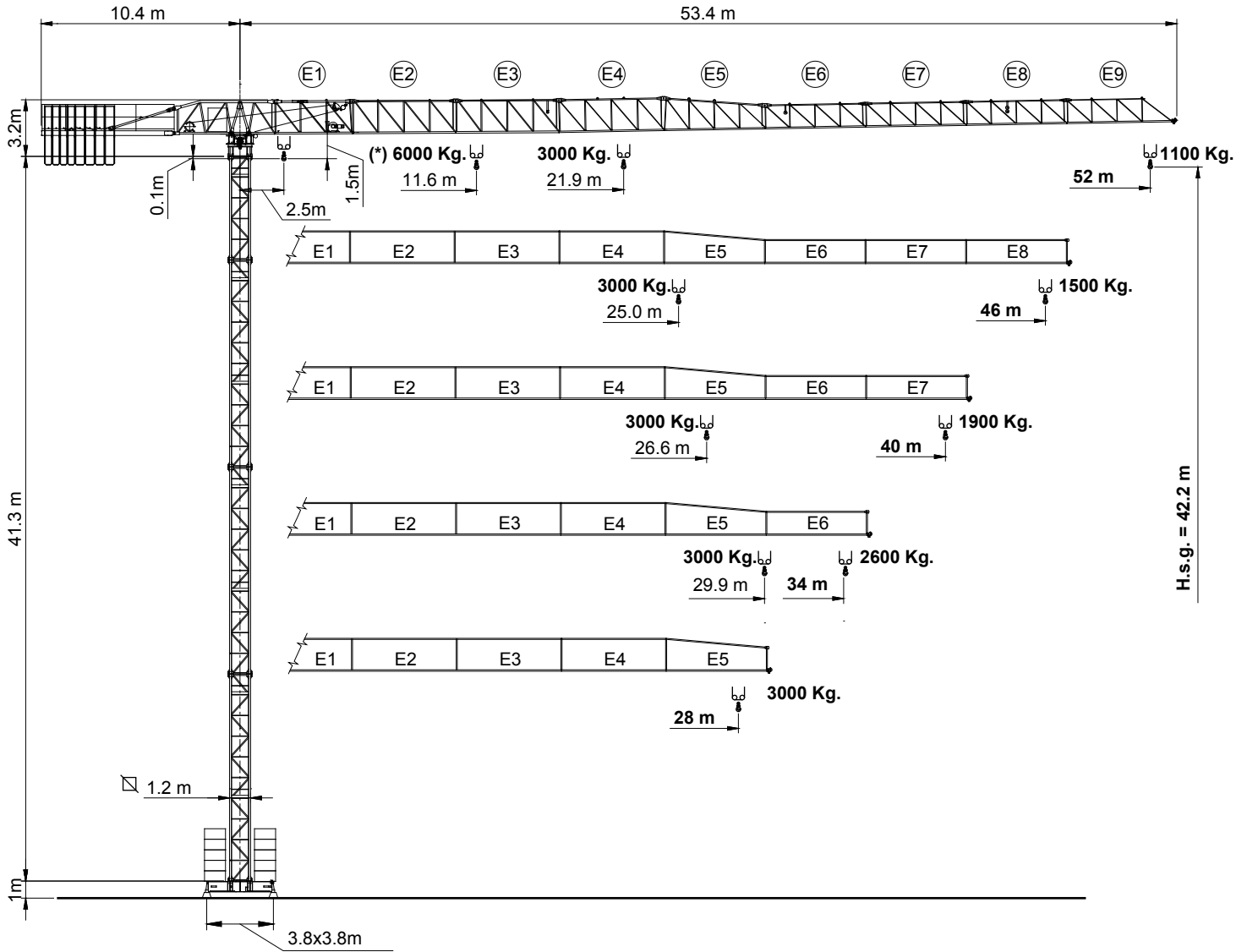


CATTANEO

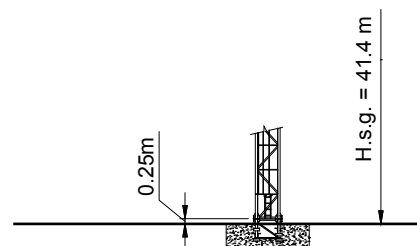
AZIENDA CON SISTEMA DI
GESTIONE PER LA QUALITÀ
CERTIFICATO DA DNV
=UNI EN ISO 9001:2000=

CM 520 Gru a torre - Tower crane - Grue a tour - Thkranurmdre

FEM 1,001 A3




H.s.g. = 42.2 m



* optional



Raggio e portata

Radius and capacity - Portee e charge - Ausladung und Tragfahigkeit

R Max  **3,0 t** ▶ ||

Portata max - Max s.w.l. - Charge maxi

53,4 m	21,9 3,0	22	24	26	28	30	32	34	36	38	40	42	44	46	48	50	52 1,10	m. t	
47,4 m		25,0 3,0	26	28	30	32	34	36	38	40	42	44	46 1,50	m. t					
41,7 m			26,6 3,0	28	30	32	34	36	38	40 1,90	m. t								
35,9 m				29,9 3,0	30	32	34 2,60	m. t											
29,9 m					28 3,0	m. t													

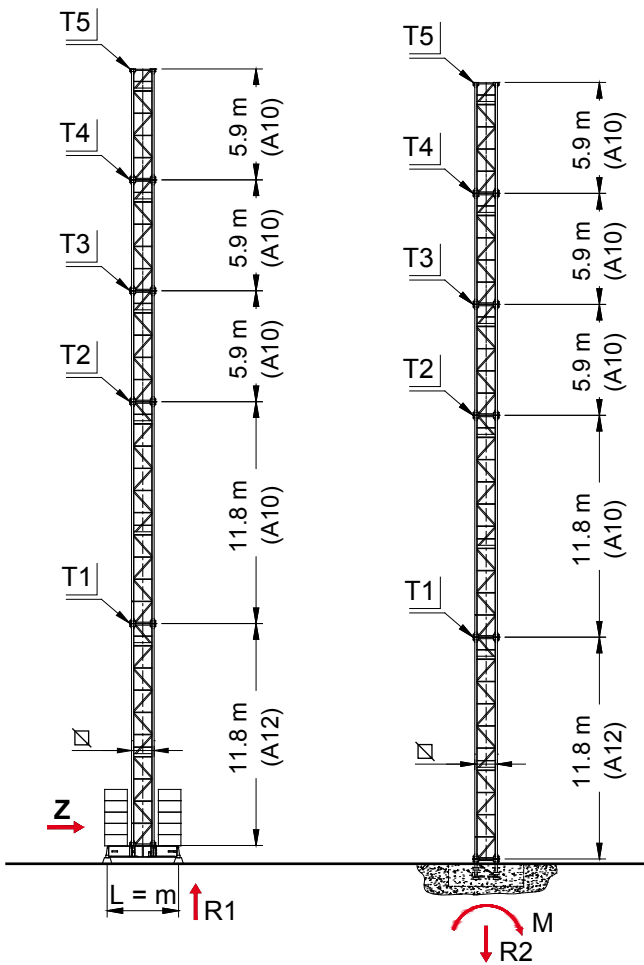
R Max  **6,0 t**  **3,0 t** ▶ || (*) Portata max - Max s.w.l. - Charge maxi

53,4 m	11,6 6,0	12	14	16	18	20	22	24	26	28	30	32	34	36	38	40	42	44	46	48	50	52 1,00	m. t
47,4 m	13,2 6,0	14	16	18	20	22	24	26	28	30	32	34	36	38	40	42	44	46 1,40	m. t				
41,7 m	14,0 6,0	16	18	20	22	24	26	28	30	32	34	36	38	40 1,80	m. t								
35,9 m	15,6 6,0	16	18	20	22	24	26	28	30	32	34 2,50	m. t											
29,9 m	16,3 6,0	18	20	22	24	26	28 3,30	m. t															

* optional

Torre reazioni

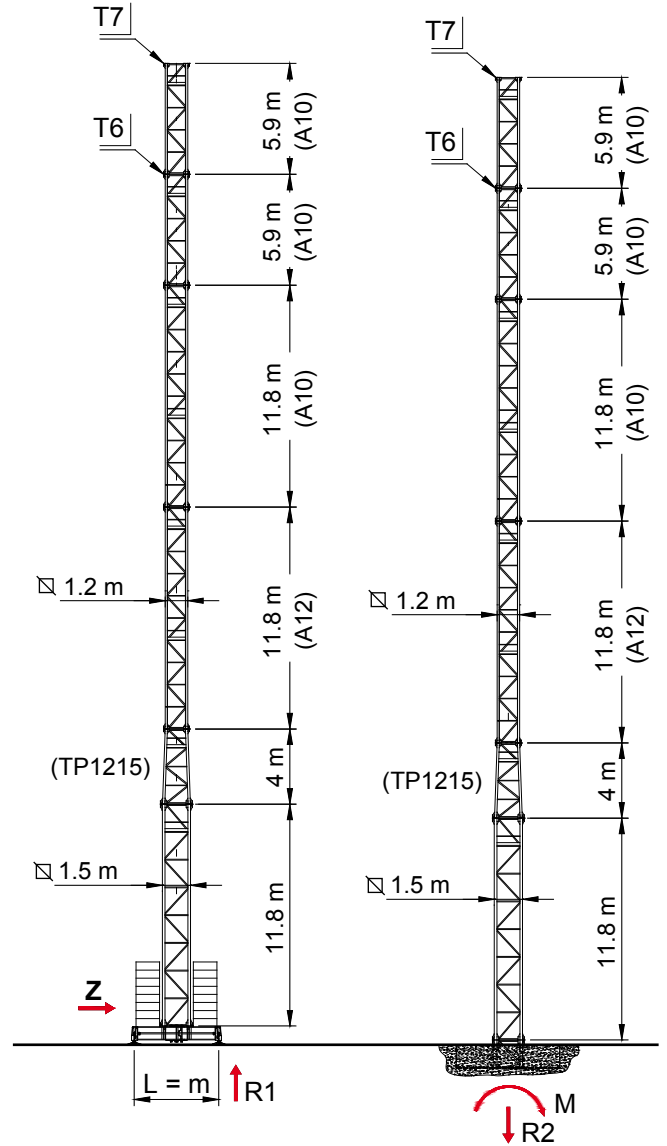
Mast reactions - Mat reactions - Maste Eckdrucke



T	H.s.g.	(t)	↑ R1
	(t)	(t)	(t)
7			
6			
5	42.2 m	65	56
4	36.3 m	55	42
3	30.4 m	45	35
2	24.5 m	40	31

L = 3.8 x 3.8 m

T	H.s.g.	↓ R2	M
	(t)	(t)	(tm)
7			
6			
5	41.4 m	40	111
4	35.5 m	39	96
3	29.6 m	37	74
2	23.7 m	36	63



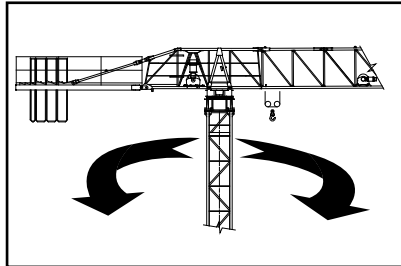
T	H.s.g.	(t)	↑ R1
	(t)	(t)	(t)
7	52.1 m	80	78
6	46.2 m	70	60
5			
4			
3			
2			

L = 4.5 x 4.5 m

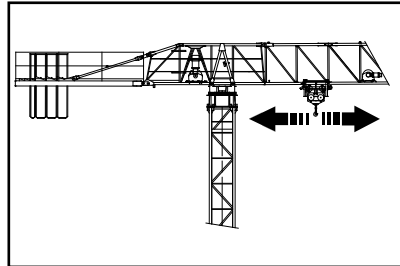
T	H.s.g.	↓ R2	M
	(t)	(t)	(tm)
7	51.3 m	44	247
6	45.4 m	43	181
5			
4			
3			
2			

Meccanismi

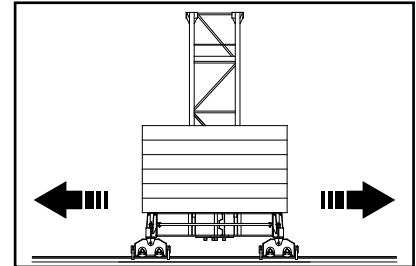
Driving units - Mechanisms d'entrainement - Antriebe



g/1'	Nm	Kw
0,3 / 0,5 / 0,7	65	.



	m/1'	Kw
3 T	15 / 25 / 50	3,0
(*) 3 / 6 T	25 / 45 / 60	3,0



m/min	Nm	Kw
16	-	2 x 4

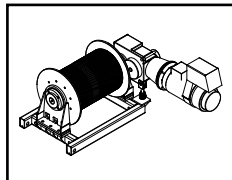
FORZA MOTRICE TOTALE
TOTAL INSTALLED POWER
PUISSANCE TOTALE DES MOTEURS
GESAMT-MOTORENLEISTUNG

kVA

	Kw
FV4 15	11
FV4 25	18,5

kVA
20
30

400 V - 50 Hz



CV - ch PS - HP	Kw
25	18.5

mt.
235

FV4 25	25	18.5	235
--------	----	------	-----

Marcia - Step
Cran - Stufe

m/1'	(t)	(t)
0 - 4	3,0	3,0

m/1'	(t)
0 - 2	6,0

1	0 - 4	3,0	3,0	0 - 2	6,0
2	0 - 25	3,0	3,0	0 - 12.5	6,0
3	0 - 40	2,0	2,0	0 - 20	4,0
4	0 - 60	1,0	1,0	0 - 30	2,0

* optional

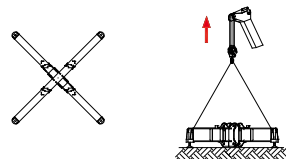
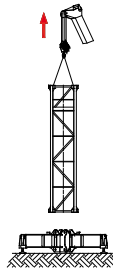
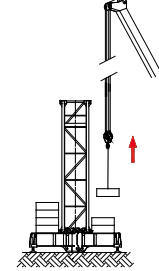
Pesi e ingombri

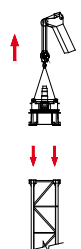
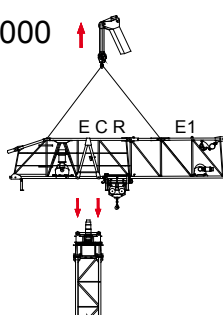
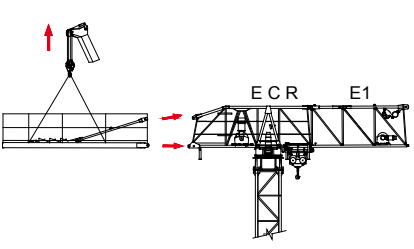
Packing list - Liste de colisage - Kolli-liste

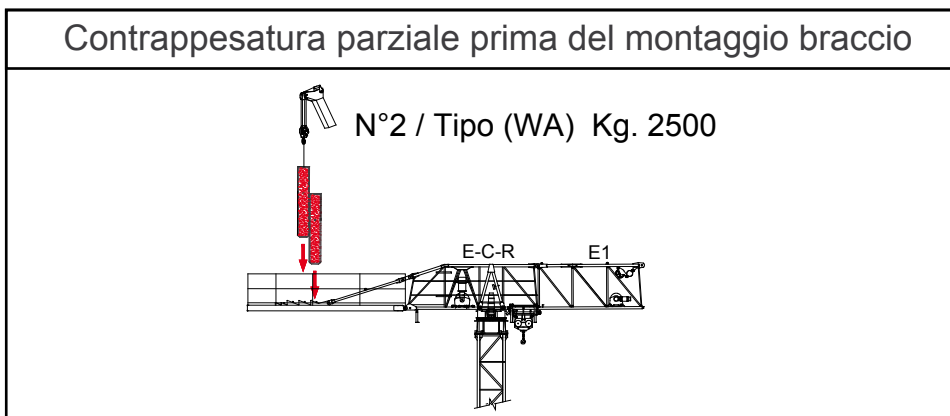
Pos. Item	Pezzi Pieces	Denominazione Description	Schizzo Sketch	Dimensioni Dimensions			Peso Weight (Kg)		
				L	W	H	Unit.	Total.	
1	1	Elemento di braccio Jib element Elément de flèche Ausleger	E 1		4.06	1.02	1.98	-	750
	1		E 2		6.08	0.95	1.97	-	690
	1		E 3		6.08	1.02	1.98	-	570
	1		E 4		6.08	0.95	1.97	-	479
	1		E 5		6.07	0.95	1.94	-	401
	1		E 6		6.05	0.95	1.45	-	340
	1		E 7		6.03	0.95	1.45	-	286
	1		E 8		6.00	0.95	1.45	-	265
	1		E 9		5.93	0.95	1.45	-	231
2	1	Elemento rotazione, argano sollev., carrello e Q.E. Element turntable, hoisting winch, trolley jib, electrical box. Element tournante, treuil de levage, armoire électrique. Element gegenausleger, Hubwinde, Drehwerk.		5.83	1.18	2.5	-	3250	
	1	Rotazione; turntable; tournante; gegenausleger.		1.40	1.60	1.76	-	2000	
3	1	Elemento controbraccio. Counterjib, contreflèche, gegenausleger.		6.80	1.68	1.53	-	2000	
4	4	Blocchi di contrappeso Counterweight block Contre-poids Gegengewichtsbloecke		WA	0.65	0.50	3.08	2500	10000
	WB			0.65	0.25	3.08	1250	3750	
5	1	Elemento di torre Tower element Elément de mature Turmstück		(A10)	11.8	1.20	1.38	-	2565
	(A12)			11.8	1.20	1.38	-	2940	
	(A10)			5.9	1.20	1.38	1290	3870	
6	1	Tronchetto di fondazione Expendable foundation element Elément a sceller Fundamentanker		1.18	1.44	1.44	-	465	
7	1	Trave di base principale Base main beam Poutre de chassis de de base Tragholm 1		3.8x3.8	5.85	0.85	0.95	-	1790
8	2	Semi trave di base Half base beam Semipoutre de chassis de base Tragholm 2		3.8x3.8	2.60	0.85	0.95	840	1680
9	- 26	Blocco di zavorra Base ballast block Lest de base Grundballastblöcken	(BZ 250) 	3.8x3.8	3.50	1.00	0.34	2500	65000

Montaggio

Assembly - Montage - Versammlung

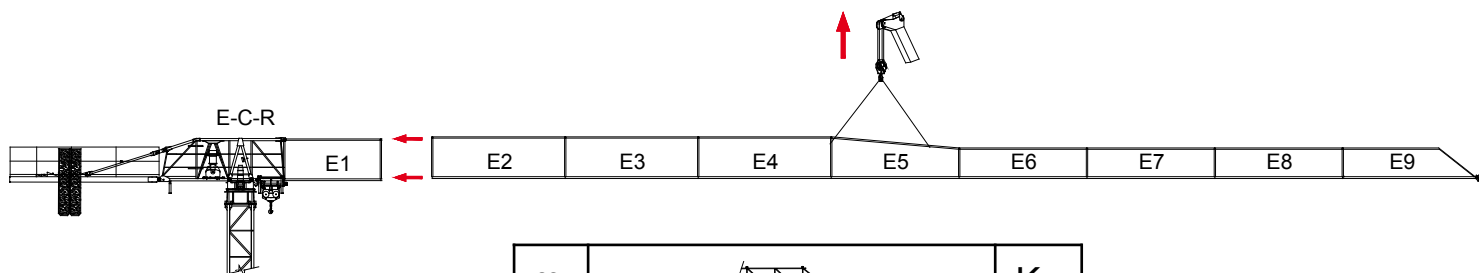
<p>1</p> <p>Base</p> <p>L=3,8x3,8m Kg. 3470</p> 	<p>2</p> <p>Torre</p> <p>L=11,8m Kg. (2565 A10) Kg. (2940 A12)</p> <p>L=5,9m Kg. (1290 A10) Kg. (1490 A12)</p> 	<p>3</p> <p>Zavorra</p> <p>Kg. 2500</p> 
---	--	---

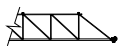
<p>4</p> <p>Rotazione</p> <p>Kg. 2000</p> 	<p>5</p> <p>E-C-R / E1</p> <p>Kg. 4000</p> 	<p>6</p> <p>Controbraccio</p> <p>Kg. 2000</p> 
---	--	---



Montaggio

Assembly - Montage - Versammlung



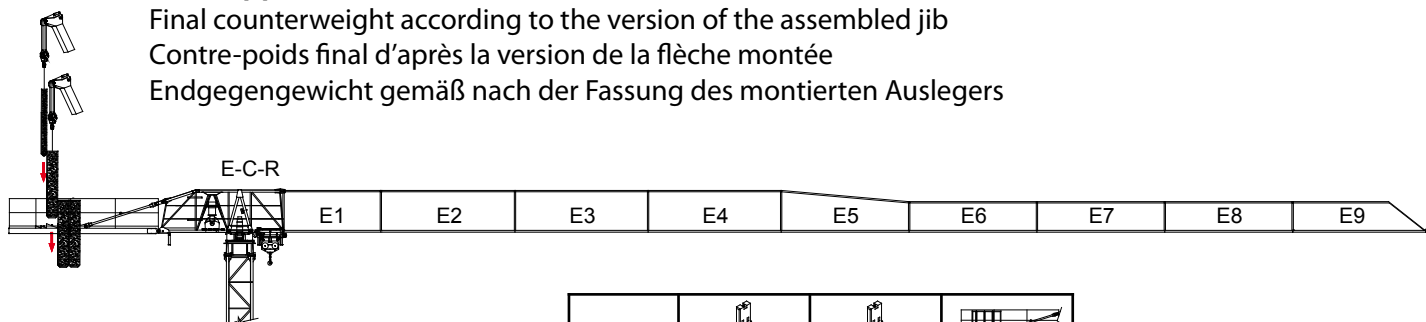
m.		Kg.
52	E2 / E3 / E4 / E5 / E6 / E7 / E8 / E9	3400
46	E2 / E3 / E4 / E5 / E6 / E7 / E8	3150
40	E2 / E3 / E4 / E5 / E6 / E7	2870
34	E2 / E3 / E4 / E5 / E6	2570
28	E2 / E3 / E4 / E5	2220



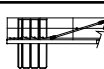
Contrappesatura finale in base alle versione di braccio montato

Final counterweight according to the version of the assembled jib

Contre-poids final d'après la version de la flèche montée

Endgegengewicht gemäß nach der Fassung des montierten Auslegers



			
	(WA) 2500 Kg	(WB) 1250 Kg	Totale Kg
52 m	4	3	13750
46 m	4	3	13750
40 m	4	2	12500
34 m	4	1	11250
28 m	4	1	11250

Rev. "0" (04/09)

CATTANEO

Luigi Cattaneo S.p.A.
via Trieste 14 - 20020 Magnago (MI) Italia
tel. +39 331 657132 - fax +39 331 305460
www.cattaneogru.it
e-mail: cattgru@tin.it