

# ✂️ Dettagli tecnici / Technical details



**D**  
KIT DEMOLIZIONE  
DEMOLITION JAWS



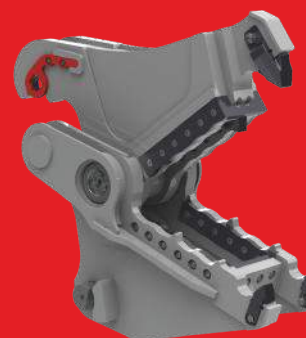
**P**  
KIT FRANTUMAZIONE  
PULVERISER JAWS



**S**  
KIT CESCOIA  
STEEL CUTTING JAWS



**R**  
KIT COMBINATO  
COMBI JAWS

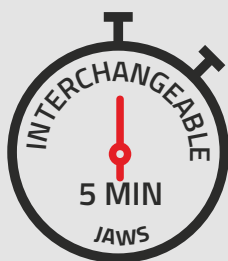


**CH**  
KIT SVIZZERO  
SWISS JAWS



# CK series

## Hydraulic combi crusher



### ▪ CILINDRO PER ALTE PRESTAZIONI

Il cilindro offre un'elevata potenza di taglio. Montato in posizione rovesciata garantisce la protezione totale dello stelo da urti accidentali o danneggiamenti.

### ▪ HIGH PERFORMANCE CYLINDER

The cylinder provides high cutting performance. It is reverse mounted so the rod is completely protected from any impact or damage.



### ▪ CAMBIO CHELE FACILE, VELOCE, SICURO

### ▪ EASY, FAST AND SAFE JAWS CHANGING



### ▪ SISTEMA DI AGGANCIO VTN

### ▪ VTN FAST KEY SYSTEM

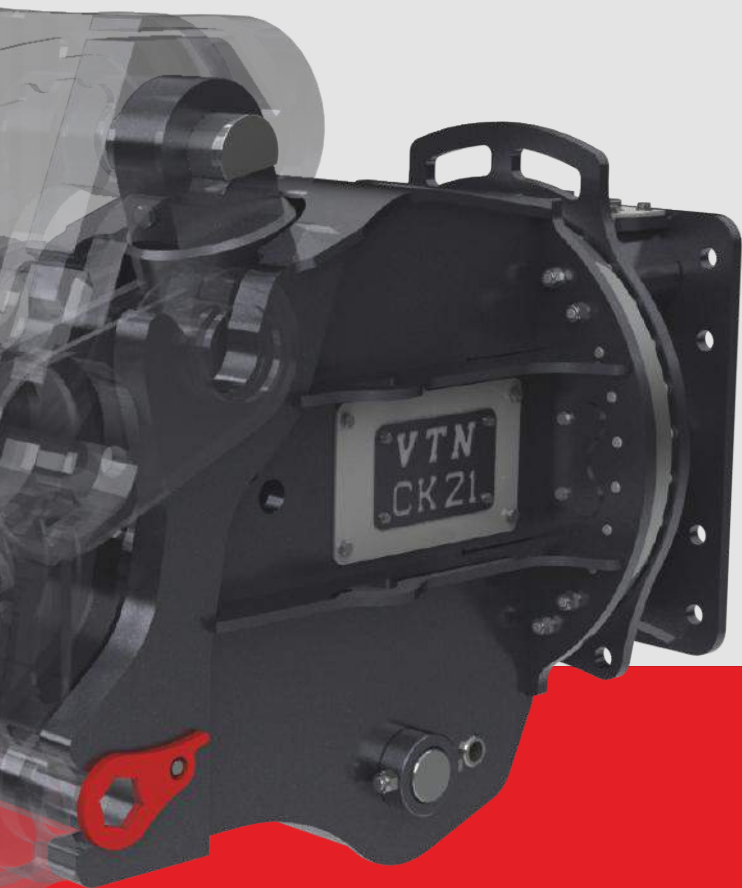
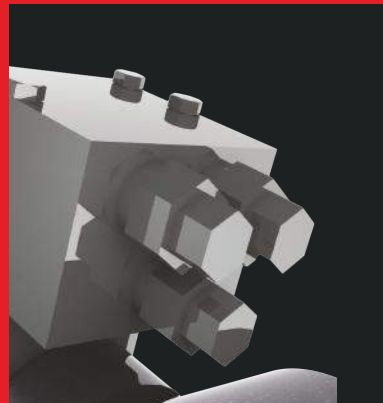


### ▪ VALVOLA DI VELOCIZZAZIONE

Riduce i tempi del ciclo di lavoro.

### ▪ SPEED VALVE

Reduces cycle time.







#### **SERIE CK - IT**

##### **Combi kit:**

- 5 modelli per escavatori da 7 t a 50 t
- Rotazione a 360°
- Gruppo di rotazione compatto
- Cilindro interamente protetto
- Valvola di velocizzazione
- 5 kit chele intercambiabili
- Puntali e taglienti intercambiabili

#### **SERIE CK - FR**

##### **Combi kit:**

- 5 modèles pour pelles de 7 à 50 t.
- Rotation 360°
- Groupe de rotation compact
- Vérin entièrement protégé
- Speed Valve
- 5 jeux de mâchoires interchangeables
- Plaques, dents et couteaux interchangeables

#### **CK SERIES - EN**

##### **Combi Kit Multipurpose Hydraulic Tool:**

- 5 models for excavators with operating weight from 7 t to 50 t
- Compact-designed 360° rotation
- Fully-protected cylinder
- Speed Valve
- 5 interchangeable kits for different tasks
- Interchangeables blades and tips

#### **SERIE CK - ES**

##### **Combi kit:**

- 5 Modelos para escavadoras de 7 a 50 t
- Rotación a 360°
- Grupo de rotación compacto
- Cilindro totalmente protegido
- Válvula de velocidad
- 5 tipologías de mandíbulas intercambiables
- Cuchillas y puntales intercambiables

#### **CK SERIE - DE**

##### **Combi Kit Hydraulisches Mehrzweckgerät:**

- 5 Modelle für Bagger mit Einsatzgewicht von 7 bis 50 Ton
- Kompakter 360° Rotationseinheit
- Komplette Zylinderschutz
- Eilgangventil
- 5 Wechselgebisse verfügbar für verschiedene Arbeitsvorgänge
- Wechselbare Spitzen und Messer auf die Wechselgebisse

#### **СЕРИЯ CK - RU**

##### **Новые multifункциональные гидрорезицы**

- 5 модели, от 7-ти до 50-ти тонных экскаваторов
- 360° гидравлическая система ротации
- Компактный роторный блок
- Полностью защищенный цилиндр
- Скоростной клапан
- 5 комплектов челюстей
- Сменные ножи и коронки



### APPLICATIONS



NEW

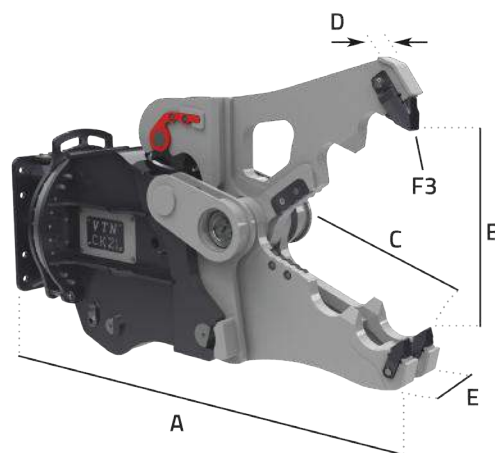
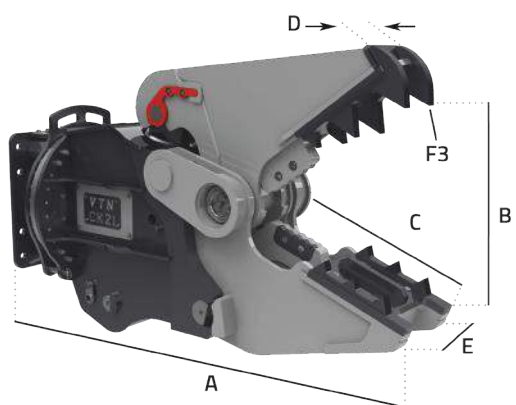
NEW

MODEL		CK07	CK14	CK21	CK28	CK36
	°	360	360	360	360	360
	l/min	5/8	20/30	20/30	20/30	40/50
	bar	120	120	120	120	120
	l/min	70/90	110/160	170/210	200/250	300/400
	bar	230/350	350	350	350	350
	kg	485	905	1224	1555	2090
	t	7/13	13/21	18/27	26/35	35/50



**"P" PULVERISER JAWS**

**"D" DEMOLITION JAWS**

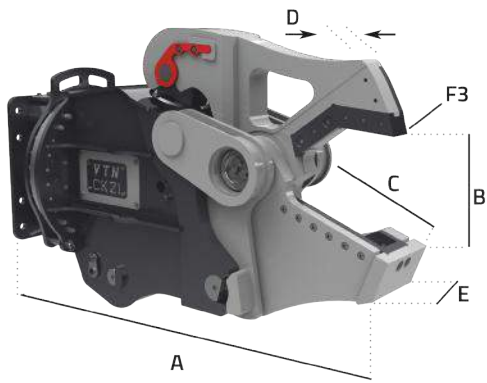


MODEL		CK07	CK14	CK21	CK28	CK36
A	min	1620	1995	2088	2378	2585
B	min	535	720	780	890	980
C	min	525	730	780	880	930
D	min	170	260	260	300	340
E	min	290	380	380	420	470
	min	85	150	200	200	200
F3	t	32/45	65	80	105	120
 TOT	kg	766	1550	2111	2745	3760
 JAWS	kg	281	645	887	1190	1670
Ø max	mm	20	30	35	40	50

MODEL		CK07	CK14	CK21	CK28	CK36
A	mm	1595	1994	2074	2356	2555
B	mm	520	717	780	865	957
C	mm	500	700	760	810	910
D	mm	50	70	70	80	90
E	mm	190	240	240	270	300
	mm	200	200	200	200	200
F3	t	32/45	65	80	105	120
 TOT	kg	710	1504	2066	2650	3615
 JAWS	kg	225	599	842	1095	1525
Ø max	mm	20	30	35	40	50

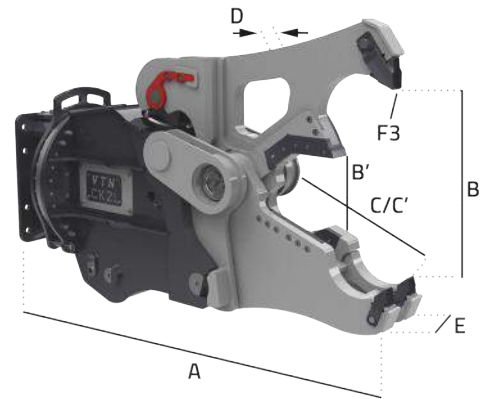


## "S" STEEL JAWS



MODEL		CK07	CK14	CK21	CK28	CK36
A	mm	1475	1826	1853	2134	2350
B	mm	265	392	392	490	555
C	mm	335	493	493	600	560
D	mm	90	105	105	120	120
E	mm	260	280	300	380	415
F3	t	45/65	90	115	140	160
TOT	kg	730	1502	2027	2640	3610
JAWS	kg	245	597	803	1085	1520
Ø max	kg	30	40	50	60	70
	mm	6	10	12	15	20
	mm	120	180	270	330	360
	mm	/	140	200	240	260

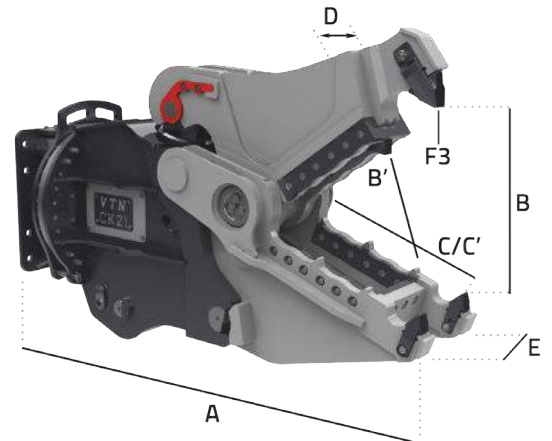
## "R" COMBI JAWS



MODEL		CK07	CK14	CK21	CK28	CK36
A	mm	1595	1994	2070	2460	2555
B/B1	mm	530/265	717/338	780/358	861/440	957/470
C/C1	mm	480/280	700/340	760/340	810/430	910/430
D	mm	60	70	70	90	110
E	mm	230	260	260	340	370
	mm	280	340	340	430	430
F3	t	32/45	65	80	105	120
TOT	kg	767	1570	2113	2772	3770
JAWS	kg	282	665	889	1217	1700
Ø max	mm	25	30	35	40	50
	mm	100	160	240	270	330
	mm	/	120	180	200	240



## "CH" SWISS JAWS



MODEL		CK07	CK14	CK21	CK28	CK36
A	mm	1575	1954	2063	2365	2590
B/B1	mm	350	620/410	755/550	843/690	935/775
C/C1	mm	430	630/410	677/470	795/593	870/610
D	mm	195	70/222	70/262	80/292	90/320
E	mm	300	350	390	440	490
F3	t	40/60	70	85	110	120
TOT	kg	772	1601	2180	2862	3910
JAWS	kg	287	696	956	1307	1820
Ø max	mm	20	30	35	40	50