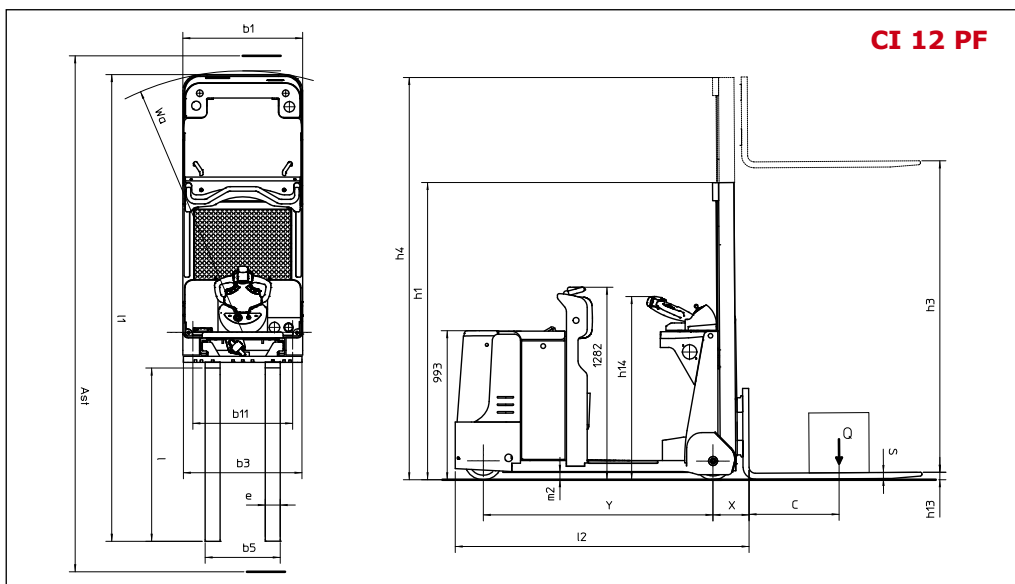
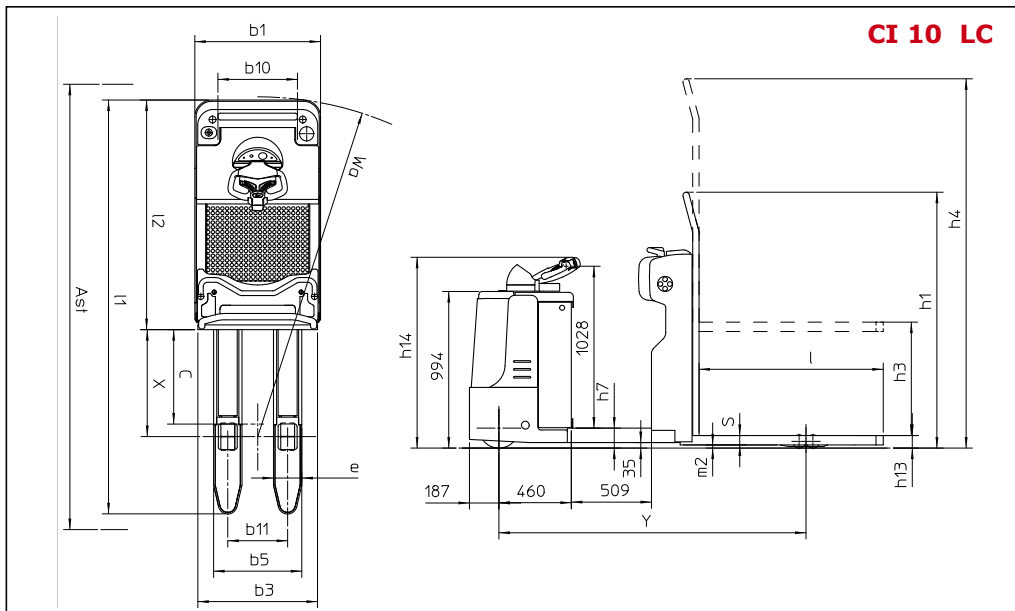
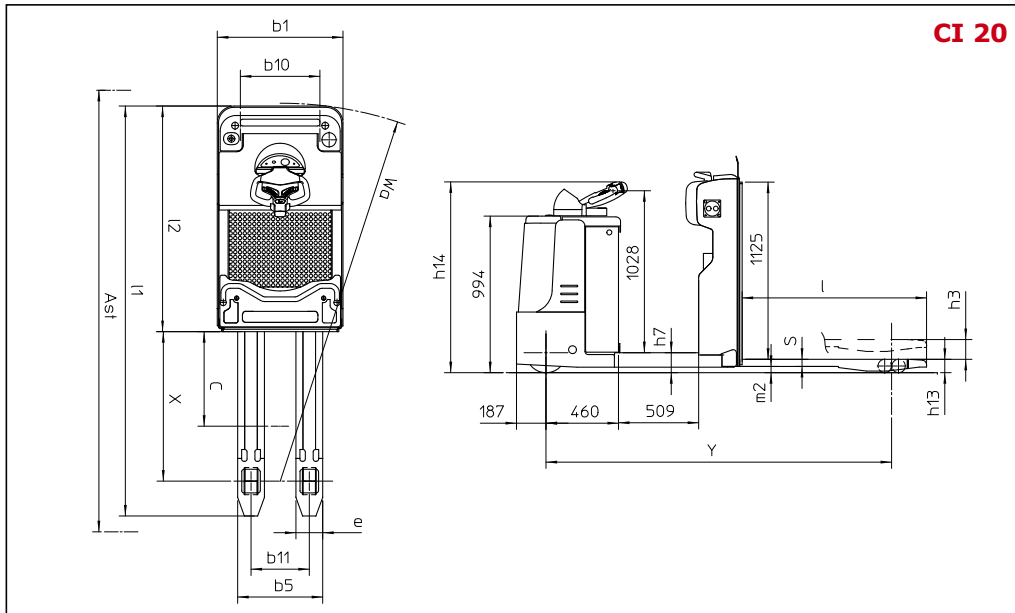


Horizontal order pickers

- Low level
- Complementary lift 800 mm





Serie ■ CI 20 ■ CI 10 LC ■ CI 12 PF

				MANITOU			
				CI 20	CI 10 LC	CI 12 PF	
Designation	1.1	Manufacturer					
	1.2	Model type					
	1.3	Drive electric (battery or mains), diesel, petrol, fuel gas, manual			Battery	Battery	Battery
	1.4	Type of operator : hand, pedestrian, standing, seated, order-picker			Order picker	Order picker	Order picker
	1.5	Load capacity	Q	t	2	1	1,2
	1.6	Load centre distance	C	mm	600	600	600
	1.8	Load distance, centre of drive axle to fork	x	mm	949	680	240
	1.9	Wheelbase	y	mm	2194	1950	1530
	Weights	2.1	Service weight		kg	1450	1400
2.2		Axle loading, laden front/rear		kg	1298/2152	946/1454	-
2.3		Axle loading, unladen front/rear		kg	928/522	896/504	-
Wheels	3.1	Tyres : solid rubber, superelastic, pneumatic, polyurethane			Polyurethane	Polyurethane	Polyurethane
	3.2	Tyre size, front		mm	254x100	254x100	2x200x75
	3.3	Tyre size, rear		mm	4 (85x90)	4 (85x90)	1x250x100
	3.4	Additional wheels (dimensions)		mm	2 (140x50)	2 (140x50)	-
	3.5	Wheels, number front/rear (x = driven wheel)			1x1/4	1x1/4	2/1x
	3.6	Track width front	b10	mm	505	505	-
	3.7	Track width rear	b11	mm	370	380	665
Dimensions	4.2	Height with mast lowered	h1	mm	-	1625	see lifting masts tabel
	4.4	Lift height	h3	mm	125	720	see lifting masts tabel
	4.5	Height with mast raised	h4	mm	-	2345	see lifting masts tabel
	4.8	Platform height	h7	mm	130	130	-
	4.9	Height of tiller in drive position	h14	mm	1212	1212	1212
	4.15	Lowered height	h13	mm	85 ±5	80 ±5	50 ±5
	4.19	Overall length	l1	mm	2602	2628	3108
	4.20	Length to face of forks	l2	mm	1432	1458	1958
	4.21	Overall width	b1/b2	mm	800	800	800
	4.22	Fork dimensions (thick x wide x long)	s/e/l	mm	45x170x1170	60x180x1170	45x100x1150
	4.24	Width of fork carriage	b3	mm	-	760	790
	4.25	Width over forks	b5	mm	540	560	214 à 730
	4.32	Ground clearance, centre of wheelbase	m2	mm	40	20	50
	4.34	Aisle width for pallets 800x1200 lengthways (b12x16)	AST	mm	2851	2878	3437
4.35	Turning radius	Wa	mm	2400	2158	1742	
Performances	5.1	Travel speed load/unload		km/h	9/12	10/12	9/11
	5.2	Lift speed, load/unload		m/s	0,10/0,15	0,08/0,12	0,08/0,18
	5.3	Lowering speed, load/unload		m/s	0,13/0,10	0,14/0,11	0,12/0,11
	5.8	Maximum gradient performance, load/unload (S2 5 min)		%	6/10	6/10	6/10
	5.10	Service brake			Electromagnetic	Electromagnetic	Electromagnetic
Drive unit	6.1	Drive motor rating (S2 60 min)		kW	2	2	2
	6.2	Lift motor rating (S3 10%)		kW	2	2	2
	6.3	Battery type as per standard DIN 43531/35/36,A,B,C			Traction	Traction	Traction
	6.4	Battery voltage and capacity		V/Ah	24/465	24/465	24/620
	6.5	Battery weight (+- 5%)		kg	435	435	490
Misc	8.1	Type of drive control			AC Mosfet Variator	AC Mosfet Variator	AC Mosfet Variator
	8.4	Sound level at driver's ears (translation)		dB (A)	66	66	66

	Fork height h3 + h13	Height	
		h1	h4
Simplex S900	930	1440	1440
S1450	1480	1980	1980

Manitou, leader mondial de la manutention tout terrain
Manitou, world wide leader of rough terrain handling equipment
Manitou, Der Weltmarktführer für geländegängige Flurförderstapler
Manitou, Líder mundial de la manutención todo terreno



MANISCOPIC

MANITOU

MANIACCESS

Twisco

MANITRANSIT

MANIHOE

MANILOADER

MANILEC

Un réseau de spécialistes
à votre service

A network of skilled
professionals at
your service

Una red de especialistas
a su servicio

Ein dichtes Netz von
Spezialisten steht zu
Ihrer verfügung



MLM

Z.I., 5, Avenue du Vert-Galant - 95310 SAINT-OUEN L'AUMONE - FRANCE
Tél. : +33 (0) 1.34.32.65.06 or 08 - Fax : +33 (0) 1.34.32.65.10

 **MANITOU**