



Volvo Construction Equipment

SD110B

Volvo Single Drum Compactors 10.9-11.4 t 99 kW



A passion for performance

At Volvo Construction Equipment, we're not just coming along for the ride. Developing products and services that raise productivity – we are confident we can lower costs and increase profits for industry experts. Part of the Volvo Group, we are passionate about innovative solutions to help you work smarter – not harder.

Helping you to do more

Doing more with less is a trademark of Volvo Construction Equipment. High productivity has long been married to low energy consumption, ease of use and durability. When it comes to lowering life-cycle costs, Volvo is in a class of its own.

Designed to fit your needs

There is a lot riding on creating solutions that are suited to the particular needs of different industry applications. Innovation often involves high technology – but it doesn't always have to. Some of our best ideas have been simple, based on a clear and deep understanding of our customers' working lives.



You learn a lot in 180 years

Over the years, Volvo has advanced solutions that have revolutionized the use of construction equipment. No other name speaks Safety louder than Volvo. Protecting operators, those around them and minimizing our environmental impact are traditional values that continue to shape our product design philosophy.

We're on your side

We back the Volvo brand with the best people. Volvo is truly a global enterprise, one that is on standby to support customers quickly and efficiently – wherever they are.

We have a passion for performance.



Volvo Trucks



Renault Trucks



Mack Trucks



UD Trucks



Volvo Buses



Volvo Construction Equipment



Volvo Penta



Volvo Financial Services

Roll with the best

The SD110B single drum compactor from Volvo is built to deliver a powerful performance. A choice of vibration frequencies gives you the flexibility you need to tackle a range of jobs, and with Volvo's new padfoot design you can be sure to get more done, faster. This compactor is designed to increase your versatility for ultimate productivity.

Frequency and amplitude choices

Easily adjust the vibration frequency from the operator console to compensate for changing soil types and conditions. Change drum amplitude according to material depth – increasing productivity. Multiple drum settings give you even greater performance and versatility.



New padfoot drum

Volvo's new padfoot drum provides high coverage on softer surfaces and applying more pressure on stiffer materials. An additional row of padfeet lets you compact more surface area with every turn of your drum, and the padfeet have been repositioned closer together to ensure a smoother performance.



Foldable open ROPS

The SD110B is equipped with a convenient foldable open ROPS with a sunshade roof that can be raised and lowered by the operator without the need for tools.



Great gradeability

The Volvo traction system provides excellent climbing and traction capabilities in difficult applications such as steep inclines or slippery surfaces. The system prevents tire or drum spin, improving gradeability, performance and productivity.





SUPERIOR DRUM PERFORMANCE

Volvo's advanced drum control system is optimized to deliver multiple frequencies, dual amplitude, and variable centrifugal force – matching the drum's performance to your application. The choice of high or low amplitude is easily selected, giving you the flexibility to adjust the drum's dynamic force based on the job and material depth. The combination of high force and heavy weight facilitates excellent compaction – allowing you to achieve material target density in fewer passes.



VOLVO ENGINE

Volvo's premium Tier 3 / Stage IIIA engine delivers high torque at low rpm for superior performance and low fuel consumption. It has been carefully designed to reduce emissions and increase efficiency without compromising power. The engine is supported by Volvo's extensive network of dealers around the world.

Performance, quality, efficiency

The SD110B comes from a long line of high quality compactors with premium features as standard. Thanks to a tough steel frame, robust drum design and Volvo's superior components, you can experience the very best in powerful, efficient compaction. This machine is also equipped with a perfectly optimized Volvo engine that ensures outstanding performance whatever your job, giving you excellent efficiency while keeping emissions down.

High quality components

This compactor features the highest quality components, clever routing and clean design. The engine, hydraulics and electronics work in harmony, delivering superior performance and increased machine life.



ECO mode

Volvo's ECO mode adjusts the engine speed offering up to 20% reduced fuel consumption.



Efficient cooling system

The cooling fan draws reduced power from the engine. Heat exchangers for hydraulic oil, engine coolant and charge-air are optimized for operation at high ambient temperatures. The engine package lowers total cost of ownership and reduces noise for greater operator comfort.



Heavy-duty drum and center joint

The heavy-duty drum is manufactured with durability in mind. The large diameter drum shell is engineered from high strength steel for longevity and performance. Frames are built with precision and consistency, ensuring a strong structure. The center joint oscillates and articulates for better stability and maneuverability.



Safe and comfortable

The SD110B boasts an industry-leading operator environment – excellent all-round visibility as well as very low noise and vibration levels ensure ultimate comfort and productivity. The adjustable seat, effective heating and cooling system and newly designed operator controls make for an efficient, comfortable work shift.

Ergonomic operator controls

The new operator control panel has been created for an improved operator experience. The single lever propulsion and vibration control is conveniently located within the operator's zone of comfort and reach. All other controls are ergonomically positioned.



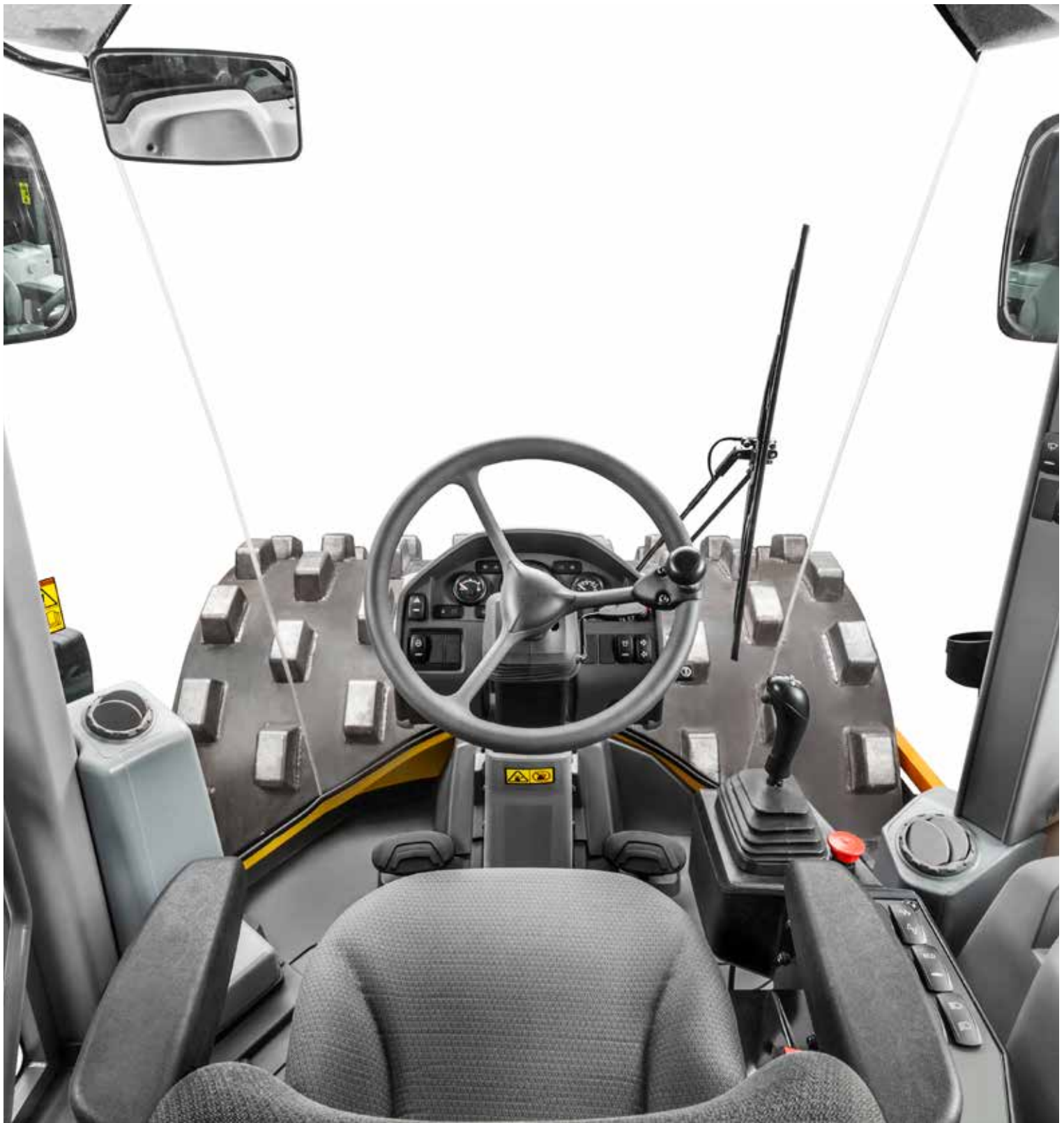
Comfortable seat

The optional fully adjustable seat slides and turns to enhance visibility and operator safety and comfort.



HVAC system

The new Volvo cab is equipped with industry-leading climate control to ensure a comfortable environment for the operator, whether heating or air conditioning is required. Elevated air intake and a pressurized cabin help to reduce the amount of dust entering the cab.



INDUSTRY-LEADING OPERATOR ENVIRONMENT

The ROPS/FOPS certified Volvo cab provides a safe and comfortable working environment with an efficient heating and air conditioning system and all-around visibility from large glazed areas. With floor to ceiling cab glass, the operator has an excellent forward drum view as well as superior rear visibility.

A productive view

INDUSTRY-LEADING OPERATOR ENVIRONMENT

The ROPS/FOPS certified cab provides a safe and comfortable working environment and all-around visibility from large glazed panels.

Ergonomic operator controls

The new operator control panel offers propulsion and vibration controls that are conveniently located on the operator's right hand side.

HVAC system

The Volvo cab is equipped with industry-leading climate control to ensure a comfortable environment inside the cab.

CareTrack

CareTrack provides you with reports, alarms, location and service hours for better machine management.

SUPERIOR DRUM PERFORMANCE

Volvo delivers multiple frequencies, dual amplitude, and optimized centrifugal force – matching the drum's performance to your application.

New padfoot drum

Volvo's new padfoot design ensures that you can compact more material in less time – increasing your productivity.



Foldable open ROPS

The SD110B is equipped with a convenient foldable open ROPS with a sunshade roof that can be raised and lowered by the operator without the need for tools.

Comfortable seat

The optional fully adjustable seat slides and turns to enhance visibility and operator safety and comfort.

VOLVO ENGINE

Designed to reduce emissions and increase efficiency, the Volvo engine ensures you have just the right level of power for your operation.

ECO mode

Volvo's ECO mode adjusts the engine speed, offering up to 20% reduced fuel consumption.

EASY SERVICE ACCESS

Class-leading service access ensures regular maintenance and inspections can be conducted more efficiently for minimal downtime.

Great gradeability

The Volvo traction system provides excellent climbing and traction capabilities in difficult applications such as steep inclines or slippery surfaces.





EASY SERVICE ACCESS

The engine hood lifts up, giving ground level access to the engine compartment. Key service check points are grouped on one side of the compactor to ensure regular maintenance and inspections can be conducted more efficiently with minimal downtime – increasing overall productivity and reliability. The hydraulic pressure test ports are grouped together remotely.

Quick and easy servicing

The SD110B is a robust and durable compactor that provides easy service access for quick regular maintenance checks. Capitalize on quality features that keep your downtime to a minimum and increase the longevity of your machine.

Customer Support Agreements

The range of Customer Support Agreements offer preventive maintenance, total repairs and a number of uptime services. Volvo uses the latest technology to monitor machine operation and status, giving you advice to increase your profitability. By having a Customer Support Agreement you are in control of your service costs.



Genuine Volvo Parts

Our attention to detail is what makes us stand out. This proven concept acts as a solid investment in your machine's future. Parts are extensively tested and approved because every part is vital for uptime and performance. Only by using Genuine Volvo Parts, can you be sure that your machine retains the renowned Volvo quality.

Service Network

In order to respond to your needs faster, a Volvo expert is on their way to your job site from one of our Volvo facilities. With our extensive infrastructure of technicians, workshops and dealers, Volvo has a comprehensive network to fully support you using local knowledge and global experience.

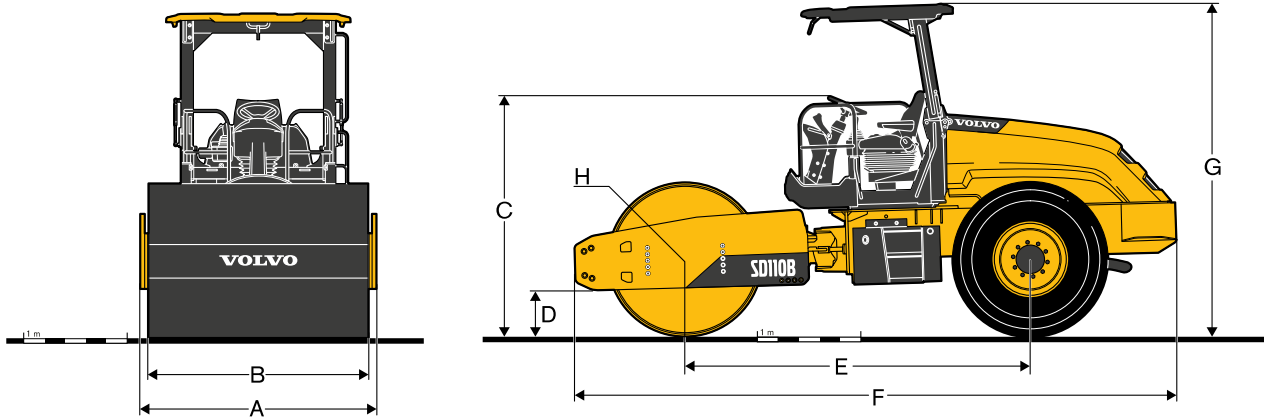


Specifications

Model		SD110B	
Drum Type		Smooth	Padfoot
Machine Weights			
Operating Weight (CECE) Folding OROPS w/ Sunroof	kg	10 700	11 000
Static Weight @ Drum	kg	5 776	6 071
Static Weight @ Tyres	kg	4 924	4 929
Shipping Weight	kg	10 589	10 877
Operating Weight (CECE) Cab	kg	10 900	11 200
Drum			
Width	mm	2 134	2 134
Diameter	mm	1 500	1 295
Shell Thickness	mm	25	25
Diameter Over Pad Feet	mm	-	1 500
Pad Feet	number of	-	102
Pad Height	mm	-	74
Pad Tip Area	cm ²	-	135.3
Vibration			
Frequency	Hz	30.8/33.8	30.8/33.8
Centrifugal Force	High Amp	kN	262
	Low Amp	kN	210
Nominal Amplitude	High Amp	mm	1.97
	Low Amp	mm	1.5
Propulsion			
Type	Hydrostatic		
Tires	23.1-26 R3 8PR TL	23.1-26 R1 12PR TL	
Drum Drive	Planetary Gear Box		
Travel Speed			
High	km/h	0-12.6	0-12.1
Low	km/h	0-5.4	0-5.2
Engine			
Make / Model	Volvo D5 Tier 3		
Engine Type	Turbocharged 4-cylinder		
Rated Power @ 2 200 r/min	kW	99	
Electrical System			
Voltage (Negative ground)	V	24	
Alternator	Ah	80	
Batteries	CCA	2 x 1 000	
Brakes			
Service	Hydrostatic		
Parking / Secondary	Spring-applied, hydraulically released on drum and axle		
Miscellaneous			
Articulation Angle	°	+/- 38	
Oscillation Angle	°	+/- 15	
Fuel Capacity	l	198	
Hydraulic Oil Capacity (Service refill / Total)	l	91 / 116	
Gradeability (theoretical)	%	65	55
Guaranteed Sound Level			
Operator's Ear, acc. to ISO 11203:2009	LpA dB(A)	82 (Cab) - 85 (Canopy)	82 (Cab) - 85 (Canopy)
External, acc. to Directive 2000/14/EC	LwA dB(A)	106	106

DIMENSIONS

	Unit	Smooth drum	Padfoot drum
A	mm	2 286	2 286
B	mm	2 134	2 134
C	mm	2 290	2 290
D	mm	478	478
E	mm	3 342	3 342
F	mm	5 838	5 838
G - ROPS Up	mm	3 179	3 179
G - ROPS Folded	mm	2 386	2 386
G - Cab	mm	2 999	2 999
H	mm	1 500	1 500



SELECTION OF VOLVO OPTIONAL EQUIPMENT

Traction Control



Padfoot drum



Eco mode



Diamond tread and traction tires



Cab with A/C



CareTrack



Not all products are available in all markets. Under our policy of continuous improvement, we reserve the right to change specifications and design without prior notice. The illustrations do not necessarily show the standard version of the machine.

VOLVO

Volvo Construction Equipment

www.volvoce.com