

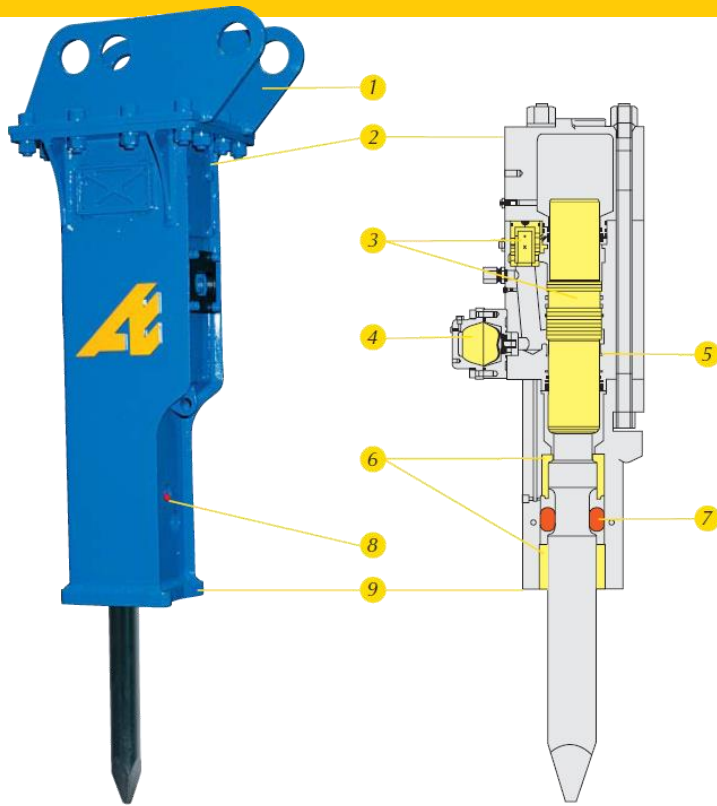
AB 102 - AB 122 - AB 212 - AB 292 - AB 352 AB 502 - AB 852 - AB 1052 - AB 1352 - AB 1852 AB 2452 - AB 2852 - AB 3552 - AB 4052 - AB 7052

Hydraulic breaker - soundproof

- 1) Bolt on adaptation plate.
- 2) Housing sound proofed (except AB 102).
- 3) 2 moving components: control valve and piston => low maintenance.
- 4) Nitrogen energy chamber absorbing vibrations.
- 5) Idle stroke protection.
- 6) Twin bushes chisel guide.
- 7) Quick change of retaining pins.
- 8) Easy greasing system.
- 9) Reinforced lower part of body.

Option :

Automatic lubrication for AB 852 up to AB4052.



Moil point chisel



Flat horizontal



Blunt chisel



For AB2452 up to AB4052



		≈ kg	l/min at 0 bar	Bar	Bar	Nb/min	Joule	(LwA) dB**	mm	Idle stroke protec	t	t
AB 102	-	90	15-30	90-120	175	800-1400	170	110	40	-	0.8/1.5	-
AB 122	-	120	15-35	90-120	175	550-1000	343	110	45	-	1/2.5	-
AB 212	-	180	26-50	100-140	175	450-1000	392	115	57	-	2.5/4.5	-
AB 292	X	260	35-70	110-165	200	380-1100	696	117	70	-	3/6	4/7
AB 352	X	310	35-70	110-165	200	380-1000	736	116	70	-	4/8	5/10
AB 502	X	480	45-90	140-165	200	400-1100	1177	118	80	-	6/10	6/12
AB 852	X	740	75-120	140-165	220	350-900	2158	119	95	-	10/14	-
AB 1052	X	960	80-140	140-170	220	350-900	2518	124	105	-	12/18	-
AB 1352	X	1360	100-155	160-180	230	320-800	3880	123	125	X	16/24	-
AB 1852	X	1800	140-190	160-180	230	340-800	5350	124	135	X	22/30	-
AB 2452	X	2450	180-240	160-180	230	250-650	8750	125	150	X	25/36	-
AB 2852	X	2850	200-260	160-180	230	230-600	10897	126	155	X	28/42	-
AB 3552	X	3550	220-280	160-180	230	230-600	12250	126	165	X	34/50	-
AB 4052	X	4000	240-320	160-180	230	230-550	15240	126	175	X	40/60	-
AB 7052	X	7000	360-450	160-180	230	200-450	19535	126	205	X	60/100	-

* Oil flow adjustment at 0 bar - ** 10m distance
 Weight without adaptation plate