

WRAPMASTER



DEUTZ-FAHR
WM SERIES





ROUND AND SQUARE BALE WRAPPERS



MODEL	ROUND BALES	SQUARE BALES
WM 1131	●	
WM 1221	●	
WM 1441	●	
WM 1641	●	
WM 1851	●	
WM 1134	●	●
WM 1644	●	●
WM 4044	●	●

TOP QUALITY BALE WRAPPING

Every step in the wrapping process has to be coordinated, taking in account crop conditions, field conditions and weather forecasts as well as crop handling and storage. Perfectly wrapped bales combined with a high output and outstanding durability guarantee DEUTZ-FAHR wrappers to be a profitable investment.

UNMATCHED RELIABILITY

DEUTZ-FAHR brings cost efficient, ecologic and ergonomic bale wrapping solutions with a complete range of reliable round and square bale wrappers. DEUTZ-FAHR wrappers are designed to perform under all circumstances.

KEEPING AHEAD WITH NEW INNOVATIONS

DEUTZ-FAHR continually strives to improve its Round and Square Bale Wrappers with new innovations like: INTELLIWRAP, AUTOLOAD, AUTOSWITCH and E-TWIN technology.



FAST AND RELIABLE WRAPPING



ROUND TURNTABLE

The DEUTZ-FAHR round bale turntable wrappers are equipped with two rollers and four wide-spaced belts. This design provides a deep and stable cradle for the bale on the wrapping turntable. The two large bale support rollers provide more stability and guidance. The four wide-spaced belts provide maximum traction and even rotation for the bale. Even bale rotation is vital to ensure the optimal film overlap for conservation and crop quality during storage.

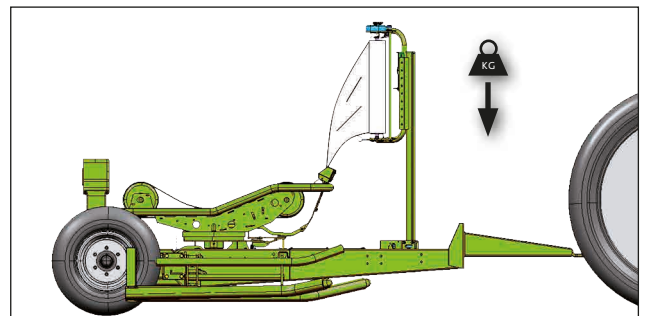
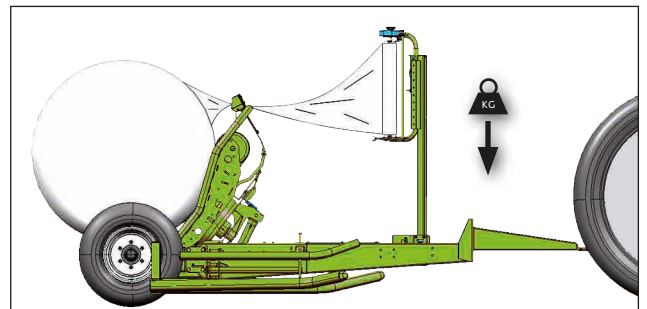
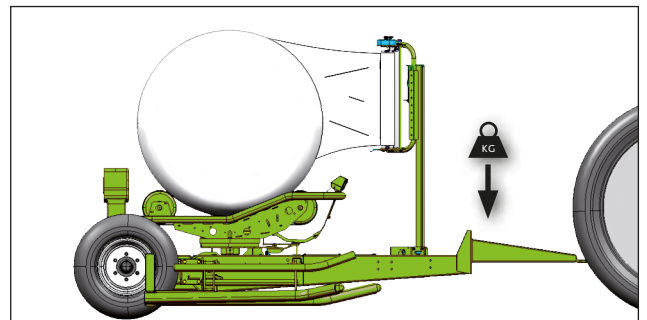
FILM CUTTERS

Once the desired number of film layers have been applied, the film is then held firmly and cut. On the turntable wrapper models, a spring-loaded or hydraulic high grip film cutter holds and cuts the film automatically without the need for extra controls. On DEUTZ-FAHR satellite wrappers, the well-known "scissor-type" cutters hold and cut the film. Due to its design, the film is caught across the full width. The film is held with a clamp, stretched into one solid string, and then cut before the bale is unloaded. The clamp firmly holds the film ready for the next bale.

DEUTZ-FAHR bale wrappers' unique features make them stand out from the crowd. The pre-stretchers, film cutters, wrapping table and low-profile chassis design make DEUTZ-FAHR bale wrappers simple, easy-to-use, fast and efficient.

LOW-PROFILE CHASSIS DESIGN

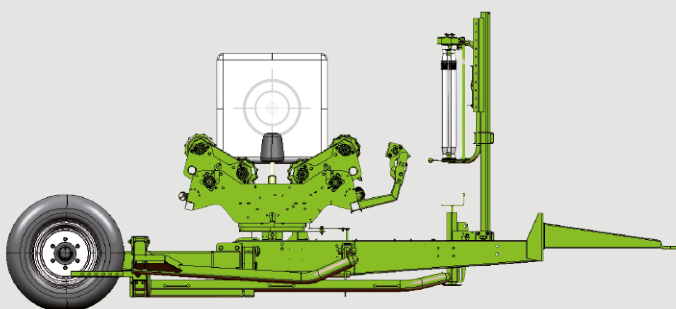
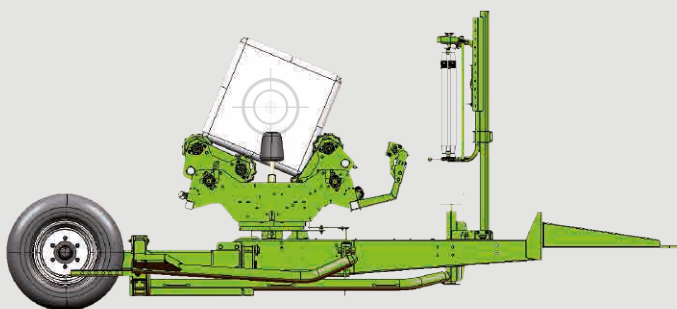
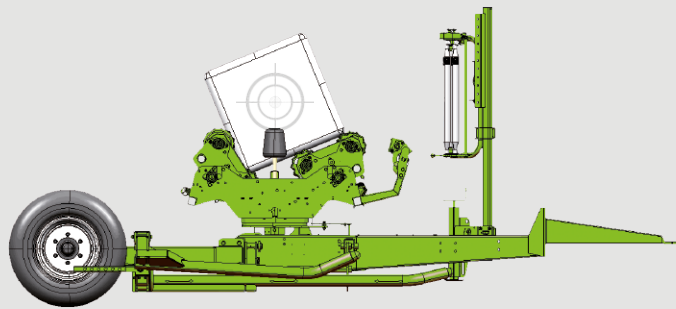
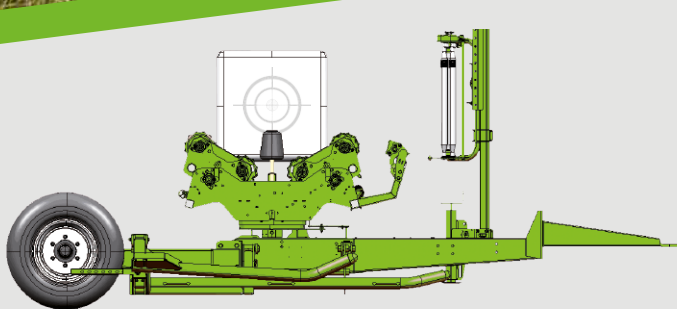
The DEUTZ-FAHR trailed turntable wrappers have a unique low-profile design ideal for stability when loading, wrapping or unloading a bale. The rear axle position results in a low table height eliminating the need for an (active) fall damper. There is constant weight transfer to the tractor, that prevents up-and-down movements of the drawbar and prevents tractor wheel slippage when driving uphill with a bale on the table or loading arm. The bale can be dropped on the go for maximum output!



LOW-PROFILE CHASSIS



FILM CUTTERS





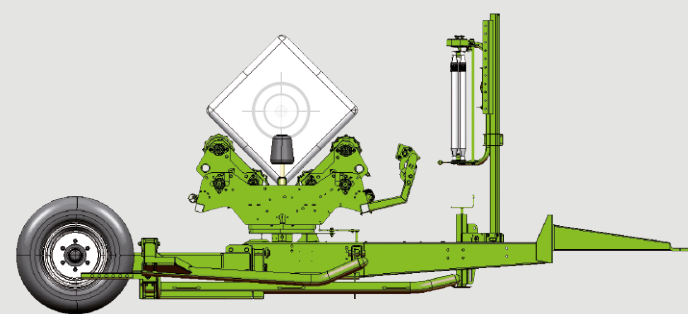
SQUARE TURNTABLE

The DEUTZ-FAHR medium square bale turntable wrappers are equipped with two pairs of steel rollers with a ribbed profile. This profile ensures maximum bale traction, even bale rotation and proper film overlap. Two large bale support rollers provide additional stability and guidance. Round bales can also be wrapped with these wrappers.

CONTROL SYSTEMS

Three different control systems are available dependent on model, and driver preferences:

- The manual version (M) is controlled with cable levers but can be upgraded with bale-and-wrap counter and autostop. The bale-and-wrap counter counts the film layers and total number of wrapped bales. The autostop function will automatically stop the wrapping table/satellite once the total number of film layers have been applied. This transforms a manually controlled wrapper into a semi-automatically controlled wrapper.
- The joystick automatically (J) steers bale discharge, among other direct functions.
- The computer-controlled version (C) uses a control box that provides all the information and features for a fully automatic wrapping process. A remote control system is available too for certain wrappers. (see specifications page)



SQUARE TURNTABLE MODELS

The two pairs of adjustable rollers ensures even bale rotation and optimal wrapping whatever the bale size.



PRE-STRETCHERS

The standard pre-stretchers which hold a 750 mm roll, are made of aluminum to avoid build-up of tack from the film. Both outer ends of the aluminium rollers are cone-shaped to maintain the optimum width of the film and reduce the risk of film tear. The special ribbed profile of the aluminum rollers keeps air and water away from the film. The location of the pre-stretchers makes it very easy to change the film rolls. The standard pre-stretch of 70% is reached by a low-maintenance and low noise gear transmission.



PRE-STRETCHERS

E-TWIN TECHNOLOGY



Besides a standard single stretch, DEUTZ-FAHR introduces the all new WM series with patented* *e-Twin* system for excellent cost efficient fast wrapping. The innovative *e-Twin* technology enables wrapping via an unique combined pre-stretcher design with patented* film distribution to save 50% on wrapping time and further film savings. The conical pre-stretch rollers have been positioned in such a way that the two 750 mm film wraps with 2/3 overlap are glued together providing a double layer before they leave the pre-stretcher unit. Optional on some of the wrappers is the auto filmlayer correct kit. The correct kit detects an empty / teared film roll and adjusts the required amount of table rotations to cover the bale with the required amount of layers.

UNIQUE ADVANTAGES OF E-TWIN TECHNOLOGY:

- Save 50% wrapping time.
- Further film saving achieved by increased pre stretch ratio.
- Tighter wrapped bales increases the airtightness and so quality to feed.
- Extreme tear resistance under all circumstances.
- Available on manual, joystick and computer version.

WM series *e-Twin*, the next step in top quality cost efficient, ecologic and ergonomic bale wrapping.

DEUTZ-FAHR E-TWIN TECHNOLOGY MAKES YOUR WRAPPING BUSINESS MORE PRODUCTIVE AND COST EFFICIENT!

**patent or patent pending in one or more countries*





ROUND BALE WRAPPERS

TYPE	ROUND BALES W X D (CM)
WM 1131	125 x 100 – 150
WM 1221	125 x 100 – 150
WM 1441	125 x 100 – 150
WM 1641	125 x 100 – 150
WM 1851	125 x 100 – 160

The WM 1131 is ideal for “wrap and stack” operations in the field or in the yard. Wrapping at the storage place means a minimum risk of film damage. A well-suited combination for a one-man wrapping operation.



WM 1131

The WM 1131 is capable of wrapping heavy bales up to 1200 kg due to its reinforced large main frame, standard for all static wrappers. The low mounted 4 belt turntable ensures a gentle bale discharge so there is no need for an active fall damper. The low mounted height also allows easy replacement of the film rolls. For a firm cut and hold of the film, even in wet conditions, the wrapper is provided with a spring-loaded high grip film cutter.

Optional on the WM 1131 are extra wide support legs for increased stability during free standing operation. Furthermore an optional 4 roll film magazine is available.



E-TWIN TECHNOLOGY

The WM 1131 can be equipped with the innovative patented* e-Twin pre-stretcher. With e-Twin technology, the wrapping time is reduced with 50% compared to a single pre-stretch wrapper and therefore no downtime in the wrap and stack process.

WM 1131

TWO MODELS AVAILABLE:

MANUAL CONTROL (M version) OR COMPUTER CONTROL WITH STANDARD RF REMOTE CONTROL (C VERSION)

The WM 1131 M version is controlled with 2 cable levers which can be upgraded with bale-and-wrap counter and autostop. The bale-and-wrap counter helps the operator by counting film layers and total number of wrapped bales. The autostop function will automatically stop the wrapping table after the total number of film layers are applied. This turns a manually controlled wrapper into a semi-automatically controlled wrapper.

The WM 1131 C version is equipped with a computer system. This easy-to-use automatically controlled computer system, with integrated joystick, uses an operator friendly user interface in line with the AT 10 controlled balers. The wrapper can be operated from a loader with the standard RF remote control with “high distance safety”, while using a power pack or second tractor for the oil- and power supply.



3-POINT MOUNTED, ROUND BALE WRAPPER



3-POINT MOUNTED, SELF-LOADING ROUND BALE WRAPPER

WM 1221

WM 1221

The WM 1221 self-loading round bale wrapper is capable of loading, transporting and wrapping the bale on the go. The 3-point mounted design positions the weight close to the tractor, which contributes to the stability and weight distribution during wrapping/transport. The WM 1221 has a hydraulic "scissors-type" film cutter that cuts and holds the film firmly in its position, ready for the next bale to come. Changing the film roll is easily done while standing safely on the ground.

ADDITIONAL FEATURES

The WM 1221 can be equipped with an optional satellite counterweight, a ground support roller for smaller tractors, extra bale support roller (recommended in hilly circumstances), and a bale turner to discharge a bale on its flat end.



OPTIONAL SATELLITE COUNTERWEIGHT



OPTIONAL GROUND SUPPORT ROLLER

TWO MODELS AVAILABLE:

TWO MODELS AVAILABLE: MANUAL CONTROL (M) AND COMPUTER CONTROL (C)

Only two levers control the manual version (M) of the WM 1221, which is equipped as standard with a bale and wrap counter and auto satellite stop. This turns a manually controlled wrapper into a semi-automatically controlled wrapper. The fully automatic computer model (C) is standard equipped with a slow start wrapping speed function to prevent film breakage during startup.





TRAILED, SELF-LOADING ROUND BALE WRAPPER

WM 1441

WM 1441

The mid-range WM 1441 is the most versatile self-loading round bale wrapper. The manual version (M) is controlled with 3 cable levers but can be upgraded with bale and wrap counter and auto stop. The computer controlled version (C) uses a terminal with integrated joystick that provides all the information and possibilities for automatic operation of the entire wrapping process. Standard feature is automatic stop at the end of film/film tear.

The WM 1441 will lift bales up to 150 cm in diameter and 1000 kg, due to its unique low-profile chassis design with wide track wheels. The new design of the WM 1441 has a wrapping table with 4 belts, stronger frame and high grip film cutter for optimal results.

Options available for the WM 1441 model are a bale turner, allowing the bale to be discharged on to its flat end, RF remote control, and a filmroll holder for 4 rolls. The WM 1441 can be equipped with the innovative patented* e-Twin pre-stretcher.



LIMITED TRANSPORT WIDTH DUE TO ADJUSTABLE WHEEL POSITIONS.

THE RIGHT HAND WHEEL
CAN BE FOLDED INWARDS
FOR ROAD TRANSPORT.
LEFT HAND SIDE OPTIONAL.



*patent or patent pending in one or more countries



TRAILED SELF-LOADING ROUND BALE WRAPPER

WM 1641

WM 1641

The professional WM 1641 round bale wrapper is ideal for those wrapping operations where high capacity and high efficiency are required. Due to its low strong design with low table height and standard large wheels located at the rear, there is no need for an active fall damper. This saves extra process steps and the bale can be unloaded on the go. The WM 1641 is equipped as standard with a high grip film cutter and filmroll holder for 2 rolls.

The WM 1641 can be operated via the 3 levers cable control (M), joystick (J) or computer control box (C).

The WM 1641 is capable of loading the heaviest bales (up to 1200 kg) thanks to a rugged designed main frame, adjustable loading arm and 4 belt wrapping table. Constant weight transfer towards the tractor avoids slippage in hilly circumstances. In addition, the DEUTZ-FAHR WM 1641 can load and carry a second bale in the loading arm during wrapping. The C model, with integrated "Autoload function" has increased overall loading, wrapping capacity and efficiency. The patented* "Autoload function" enables the operator to fully concentrate on the driving process, while the wrapping process is automatically started once the bale has been detected on the loading arm. Picking up a second bale with the loading arm, during the wrapping process for transport, is fully automated..

The bale turner, RF remote control, and filmroll holder for 4 additional rolls are optional on the WM 1641. Similar to the WM 1441, the WM 1641 can be equipped with the innovative patented* e-Twin pre-stretcher.



ON-THE-MOVE LOADING INCREASES EFFICIENCY



*patent or patent pending in one or more countries



SELF-LOADING, HIGH-CAPACITY, TWIN SATELLITE WRAPPER

WM 1851

WM 1851

The WM 1851 is a high capacity in-line wrapper equipped with the latest technologies. The patented* loading system, with its loading arm integrated in the wrapping table, allows the bale to gently roll onto the wrapping table without extra process steps. This increases the capacity of the wrapper to over 90 bales per hour with 4 layers of film. The turntable then tilts to its level position in order to start the wrapping process rapidly. The low-chassis design ensures gentle unloading of the bale and extra stability during wrapping in hilly circumstances. This design of the wrapper is suited to operate either behind a tractor or directly behind a baler. The WM 1851 loads and unloads in line with the balers driving direction.

An extended range of features and options makes the WM 1851 one of the most advanced and flexible satellite bale wrappers on the market. With manual, joystick or computer controls with standard Autoload and Autoswitch, single or twin satellites, large wheels, a bale turner or RF remote control, the WM 1851 can be equipped depending on your needs.

The WM 1851 will lift bales of up to 160 cm in diameter and 1400 kg, due to its unique design. It doesn't need a powerful tractor, additional counter-weights, or a (active) fall damper. The twin support tower guarantees accurate tracking and stability of the satellites around the bale in various field conditions.

The WM 1851 manual version (M) is controlled with 4 cable levers and equipped as standard with a bale and wrap counter, making it a semi-automatically controlled wrapper. The joystick version (J) automatically steers bale discharge, among other functions.

The WM 1851 version is equipped with a complete computer system. This automatically controlled computer system with integrated joystick is equipped as standard with a play/pause function and integrated Autoload and Autoswitch functions. It uses an operator friendly user interface in line with the DEUTZ-FAHR AT 10 controlled balers.

AUTOLOAD

Autoload is an innovative system that automatically picks up a bale with the loading arm and puts it on the wrapping table, without any action needed from the driver. The optimised processes achieved by the WM 1851 with integrated Autoload function increased the overall loading and wrapping speed, ergonomics, capacity and efficiency.

AUTOSWITCH

The Autoswitch function makes it very easy to put the wrapper into work or transport position. The machine unfolds or folds with only one push on a button.



AUTOLOAD, AUTOMATIC BALE PICK-UP SYSTEM



AUTOSWITCH FUNCTION, EASY INTO WORK OR TRANSPORT POSITION



*patent or patent pending in one or more countries

SQUARE AND ROUND BALE WRAPPERS



TYPE	ROUND BALES W X D (CM)	SQUARE BALES W X H X L (CM)
WM 1134	120 - 150 x 100 - 150	80 x 60 - 90 x 180
WM 1644	120 - 150 x 100 - 150	80 x 60 - 90 x 180
WM 4044	120 - 150 x 90 - 140	80 x 50 - 100 x 200 / 120 x 60 - 130 x 200



Wrapmaster 1134

STRETCH FILM
750 mm X 1050 m

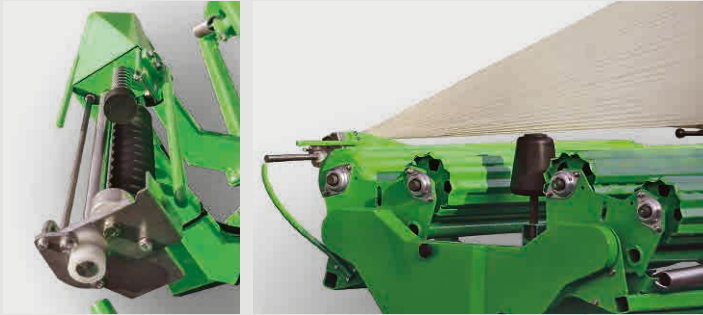
DEUTZ FAHR

3-POINT MOUNTED MEDIUM SQUARE AND ROUND BALE WRAPPER

WM 1134

The WM 1134 is a 3-point mounted bale wrapper that can wrap medium square bales and round bales up to 1200 kg. The large strong main frame has two pairs of steel rollers that provide a deep cradle for the bale and even rotation to ensure proper film overlap. The bale can be gently discharged because of the low mounted turntable.

In addition, the WM 1134 can be equipped with extra wide support legs for increased stability during free standing operation. One of the other options is a film roll magazine for 4 film rolls.



A hydraulic high grip film cutter allows you to adjust the cutting moment independent of the table tipping position, resulting in the shortest possible end-string. It has a long stroke to help accommodate various bale lengths and ensures a firm hold and a clean cut of the film in various weather conditions.



3-POINT MOUNTED MEDIUM SQUARE AND ROUND BALE WRAPPER

WM 1134 (M)

The WM 1134 Manual version (M) is controlled in the tractor cab with two cable levers. These levers can also be mounted onto the wrapper near the pre stretcher. The manual version is fitted with a bale and wrap counter and autostop. This turns a manually controlled wrapper into a semi-automatically controlled wrapper.



THE LOW TABLE HEIGHT ALLOWS THE BALE TO BE GENTLY TIPPED OFF TO PREVENT FILM DAMAGE

WM 1134 (C)

The WM 1134 Computer version (C) with standard RF remote control can be operated from a loader while using a power pack or second tractor for the oil- and power supply. This creates a one man operation for loading, wrapping and stacking. Wrapping at the storage place means a minimum risk of film damage. The C version is standard fitted with automatic stop at the end of film/film tear, integrated bale and wrap counter, play/pause function and 90° loading position.

With standard RF remote control with "high distance safety", the wrapper can be operated from the loader while using a power pack (hydro unit) or second tractor for the oil and powersupply towards the wrapper.





TRAILED SELF-LOADING ROUND AND MEDIUM SQUARE BALE WRAPPER

WM 1644

WM 1644

The WM 1644 is a hybrid bale wrapper that can wrap medium square bales 80 cm x 60-90 cm up to 180 cm in length, and round bales up to 150 cm in diameter. The two pairs of adjustable steel rollers provide a deep cradle for the bale and even rotation to ensure proper film overlap. The hydraulic high grip film cutter has a long stroke to help accommodate various bale lengths. It also ensures a firm hold and a clean cut of the film in various weather conditions. The automatic parallel loading arm, with standard round bale kit, ensures gentle, on-the-move bale loading in all weather conditions. Due to its unique low-profile chassis design with wide track wheels a second bale can be carried during wrapping to increase overall efficiency.

WM 1644 (M)

The WM 1644 can be equipped with two different control systems. The manual version (M) is controlled with cable levers and equipped as standard with bale-and-wrap counter and autostop. This turns a manually controlled wrapper into a semi-automatically controlled wrapper.

WM 1644 (C)

The enhanced WM 1644 Computer controlled version (C) with integrated patented* "Autoload function" has increased overall efficiency and loading and wrapping capacity. The automatically controlled computer system with integrated joystick is standard equipped with automatic stop at the end of film/film tear, and play/pause function. The RF remote control with high distance safety control is optional.

Available options are a film roll magazine for 4 rolls of stretch film, hydraulic wheel turning kit and an additional counter weight in order to lift up to 1.000 kg round bales.



INTEGRATED AUTOLOAD FUNCTION WM 1614 (C)

THE LOW TABLE HEIGHT ALLOWS THE BALE TO BE GENTLY TIPPED OFF TO PREVENT FILM DAMAGE.

FOR ROAD TRANSPORT THE WHEELS CAN BE FOLDED INWARDS TO REDUCE THE TRANSPORT WIDTH. HYDRAULIC FOLDING IS OPTIONAL.



TRUE WRAPPING INTELLIGENCE

WM 4044

DEUTZ-FAHR introduces a true innovation in bale wrapping with the WM 4044. This versatile self-loading square- and round bale wrapper features a unique patented* AutoLoad function for nonstop fully automatic wrapping.

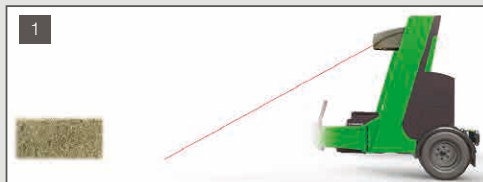
NON-STOP WRAPPING WITH AUTOLOAD*

The innovative AutoLoad function provides non-stop fully automatic loading, wrapping and unloading of square- and round bales without interference from the driver. AutoLoad detects approaching bales, automatically scans the length of the bale and sets the loading arms into pre-load position, resulting in accurate loading, wrapping and unloading of the bale on the go. This leads to increased overall capacity and creates a more ergonomic and stressless working environment during a long working day.

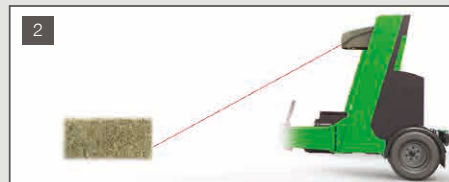


HOW DOES IT WORK?

Autoload function is based on Category II Laser technology. First the laser sensor, situated inside the top cover at the front side of the machine, is scanning the area ahead of the bale wrapper. In addition, a wheel sensor is placed on the left wheel which measures the speed and distance towards the bale.



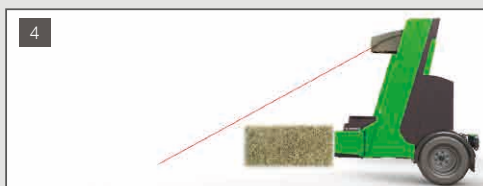
LASER SENSOR IS MEASURING GROUND LEVEL



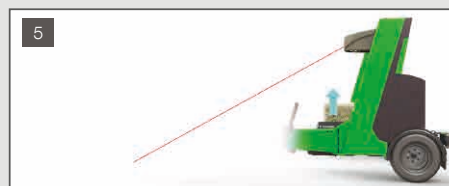
LASER SENSOR HAS DETECTED THE BALE.



LASER SENSOR HAS DETECTED THE EDGE OF THE BALE. BALE LENGTH MEASUREMENT IS STARTING BY COUNTING PULSES ON WHEEL SENSOR. LOADING ARMS MOVE TO PRE-LOAD POSITION (BASED ON PRE-DEFINED BALE WIDTH).



LASER SENSOR HAS DETECTED THE END OF THE BALE. THE BALE LENGTH IS KNOWN.



DEPENDING ON THE DRIVING SPEED, THE LOADING ARMS ARE ACTIVATED AT THE RIGHT TIME TO LOAD THE BALE IN THE CENTER OF THE ROLLERS.



WHILE WRAPPING, IT IS POSSIBLE TO DRIVE ALREADY TO THE NEXT BALE.

In case bales are dropped in ditches, under fences or even in corners of the field, the WM 4044 Autoload still allows you to load bales manually, forwards and backwards.

* AUTOLOAD PARAMETERS: 1) SQUARE BALE LENGTH MUST BE BETWEEN 0,75 AND 2 M

2) DRIVING SPEED MUST BE CONSTANT AND BETWEEN 0,5 AND MAX. 4 KM/H DURING SCANNING AND LOADING.



WM 4044

Alongside the innovative AutoLoad function, more additional features are provided which makes this versatile self-loading wrapper like no other bale wrapper in the market.

OUTSTANDING STABILITY

Thanks to its solid design, with incorporated hydraulic sliding frame, an extreme wide track is achieved for outstanding stability of the machine. This unique "drive through" operation enables easy loading of the bale and excellent visibility of the wrapping process. The WM 4044 has an operational width of 4 m in the field and only 2.5 m during transport.



THE WRAPPER FOLDS FROM ITS 2,5 M TRANSPORT POSITION INTO 4 M WIDE FIELD POSITION.

To prevent film damage during transport, the WM 40144 is fitted with large mud guards. 19,0/45x17 wide wheels are optional.

OPTIMAL VERSATILITY

The WM 4044 is capable of wrapping large square, medium square and round bales up to 1500 kg. Wrapping of round bales is possible without any optional equipment or mechanical adjustments. All predefined bale dimensions can easily be selected via the terminal.



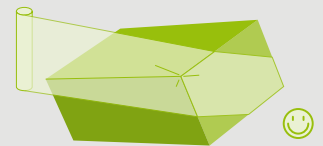
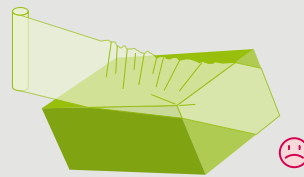
EXCEPTIONAL BALE HANDLING

The smart design of the WM 4044 guarantees easy (un)loading of the bales, front- and backwards, even when dropped in hard-to-reach locations. All bales are being (un)loaded without the risk of damaging or soil contamination because of the 2 patented* pair of steel rollers.



EXCELLENT WRAPPING

The positioning of the patented* shorter top rollers allow the film roll holders to be positioned as low as possible. As a result, the film is wrapped closer to the centre of the bale with less wrinkling, ensuring an optimum oxygen barrier for excellent silage quality.



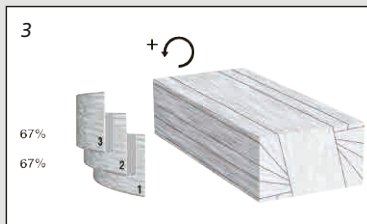
Greater management and control of the wrapping process can be achieved by our unique IntelliWrap. IntelliWrap uses sophisticated electronics and hydraulics to monitor the wrapping process and continuously controls the film overlap, allowing total flexibility. Depending on local circumstances, crop conditions and storage periods the amount of film layers (4, 5, 6, 7, 8, 9...) can simply be adjusted. An excellent distribution of the film around the bale and precise overlap of the film provides maximum efficiency and increased silage quality.



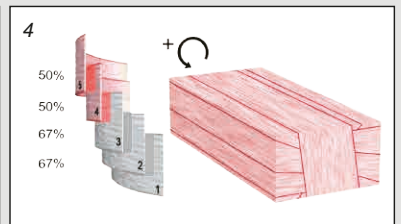
1 SELECTION OF 5 FILM LAYERS



2 THE BALE IS COVERED WITH 3 LAYERS AND 67% OVERLAP



3 INCREASING OF THE BALE ROTATIONAL SPEED



4 FINAL 2 LAYERS WITH 50% OVERLAP

*patent or patent pending in one or more countries

FUEL SAVINGS

The WM 4044 can be operated with a broad range of tractors because of a limited oil flow requirement (40 liters/min. maximum of 60 liters/min.). As an option, the wrapper can be equipped with a PTO driven oil supply for optimal wrapping capacity. The tractor can run at lower engine rpm for significant fuel savings. Further fuel savings can be achieved by running on 540E / 750 rpm PTO speed. In addition, the PTO driven oil supply is a closed system and there is no risk of oil contamination from different tractors and less chance of dirt in the system.



MAINTENANCE AND ACCESSIBILITY

The large side doors of the WM 4044 provide excellent accessibility for maintenance. Furthermore you can open the top cover and side doors without the need of tools. The WM 4044 can be equipped with an optional LED work light to have a better view on the wrapping process in the dark.

▶ ELECTRONICS

ALWAYS IN CONTROL

ISOBUS

The WM 4044 is ISOBUS compatible. ISOBUS compatible tractors will therefore not require a separate control box for the wrapper. Alternatively, the VT50 or CCI 200 monitor can be used with tractors that are not ISOBUS compatible. Operator settings, such as selecting pre-defined bale dimensions and switching from transport into field mode, are accessed via the monitor. Information, such as wrapping process overview and number of bales, is also provided.



CCI 200

The ISOBUS compatible CCI 200 terminal has a large 21,6 cm (8.5") color screen with outstanding clarity. Wrapping adjustments can be made via the touch screen or by use of the intuitive, large, soft touch keys. The CCI 200 terminal can also be used with other ISOBUS compatible machines on the market.

VT 50

The DEUTZ-FAHR ISOBUS VT 50 terminal has a 14,5 cm (5.7") color screen with outstanding clarity. Adjustments can be done easily by the touch screen and the large soft-touch keys on the sides. The VT 50 terminal can be used specifically with the DEUTZ-FAHR ISOBUS machines.



WORKING CONVENIENCE

To provide optimal working convenience, the WM 4044 has a smart feature that enables you to choose (automatic) unloading of bales in a selected position. You can choose to unload the bale with the knots on top for easier loosening of the twine and also quicker access to your feed after unwrapping the bale. Or if required, you can unload on the short side for easy transport.

SPECIFICATIONS	WRAPMASTER							
	WM 1131	WM 1221*	WM 1441	WM 1641	WM 1851*	WM 1134	WM 1644	WM 4044
WEIGHT AND DIMENSIONS								
Total length	2.90 m / (9' 5")	2.27 m / (7' 6")	4.55 m / (14' 9")	4.20 m / (13' 9")	4.47 m / (14' 8")	2.47 m / (8' 1")	4.86 m / (16')	4.70 m / (15' 5")
Transport width	1.78 m / (5' 10")	1.32 m / (4' 4")	2.45 m / (8' 1")***	2.69 m / (8' 10")	2.55 m / (8' 5")	2.29 m / (7' 6")	2.49 m / (8' 2")***	2.50 m / (8' 2")
Weight	900 kg (1985 lbs)	700 kg (1550 lbs)	1000 kg (2200 lbs)	1490 kg (3285 lbs)	1100 kg (2425 lbs)	955 kg (2100 lbs)	1750 kg (3850 lbs)	2740 kg (6041 lbs)
Height in transport	2.60 m / (8' 5")	2.43 m / (8')	2.28 m / (7' 6")	2.58 m / (8' 6")	3.06 m / (10")	2.03 m / (6' 8")	2.29 m / (7' 6")	2.75 m / (9')
Wheel dimensions (standard)	-	-	10.0 / (80-12")	15.0 / (55-17")	11.5 / (80-15.3")	-	15.0 / (55-17")	15.0 / (55-17")
Wheel dimensions (optional)	-	-	360 / (55-12")	10.5 / (80-18")	400 / (60-15.5")	-	-	19.0 / (45-17")
BALE DIMENSIONS								
Max. round bale size (width x diameter) (m)	1.25 x (1.00 x 1.50)	1.25 x (1.00 x 1.50)	1.25 x (1.00 x 1.50)	1.25 x (1.00 x 1.50)	1.25 x (1.00 x 1.60)	(1.20-1.50) x (1.00-1.50)	(1.20-1.50) x (1.00-1.50)	(1.20-1.50) x (0.90-1.40)
Max. square bale size (width x height x length) (m)	-	-	-	-	-	0.80 x (0.60-0.90) x 1.80	0.80 x (0.60-0.90) x 1.80	0.80 x (0.50-1.00) x 2.00 1.20 x (0.60-1.30) x 2.00
Max bale weight	1200 kg (2650 lbs)	1200 kg (2650 lbs)	1000 kg (2200 lbs)	1100-1200 kg** (2425-2650 lbs)**	1400 kg (3100 lbs)	1200 kg (2650 lbs)	800-1000 kg** (1775-2200 lbs)**	1500 kg (3307 lbs)
Oil consumption (l/min)(gal./min)	26 / 7 at 150 bar	24 / 7 at 150 bar	26 / 7 at 150 bar	26 / 7 at 150 bar	30 / 9 at 150 bar	26 / 7 at 150 bar	26 / 7 at 150 bar	40 to 60 / 11 to 16 at 180 bar
OPERATION								
Cable controlled valve bank (M)	●	●	●	●	●	●	●	-
Joystick controls (J)	-	-	-	○	○	-	-	-
Programmable computer controls (C)	○	○	○	○	○	○	○	●
Remote control (C)	●	-	○	○	○	●	○	-
ISOBUS control	-	-	-	-	-	-	-	●
High grip film cutter (automatic)	●	●	●	●	●	●	●	●
Autoload	-	-	-	●	●	-	●	●
PRE-STRETCHER								
One pre-stretcher 750 mm (30")	●	●	●	●	●	●	●	-
Two pre-stretcher 750 mm (30")	○ (e-Twin)	-	○ (e-Twin)	○ (e-Twin)	○ (double satellite)	-	-	● (double satellite)
Adapter for 500 mm (20") film	○ (not for e-Twin)	-	○ (not for e-Twin)	○ (not for e-Twin)	-	-	-	-
OPTION								
Film roll holder/stock	○ 4 rolls	-	○ 4 rolls	● 2 rolls ○ +4 rolls	○ +2/4/6 rolls	○ 4 rolls	○ 4 rolls	● 2 rolls ○ +2/4/6/8 rolls
Bale-and-wrap counter (M model)	○	●	○	●	●	●	●	●
Auto. stop when end of cycle (M model)	○	●	○	●	●	●	●	●
Auto. stop by end of film/film tear (C model)	● / ● (e-Twin)	-	● / ○ (e-Twin)	● / ○ (e-Twin)	○	●	●	○
Rubber drop mat	-	-	○	○	○	-	○	-
Bale turner, to put bale on its flat end	○	○	○	○	○	-	-	-
Road lights	-	-	○	●	●	-	●	●
½ speed by film end/film break (C)	● (Autocorrect)	-	○ (Autocorrect)	○ (Autocorrect)	○	-	-	●


● = standard equipment ○ = optional equipment - = not available

*[This model is currently not available in North America] ** Fitted with extra counter weight *** Wheels folded for transport

Printed in the Netherlands - Order no.: ZPDJ07GB A 11-15

The use of original lubricants and coolants is recommended.



DEUTZ-FAHR is a brand of  SAME DEUTZ-FAHR
deutz-fahr.com

