



B60ZAC2



B60-80ZHD2

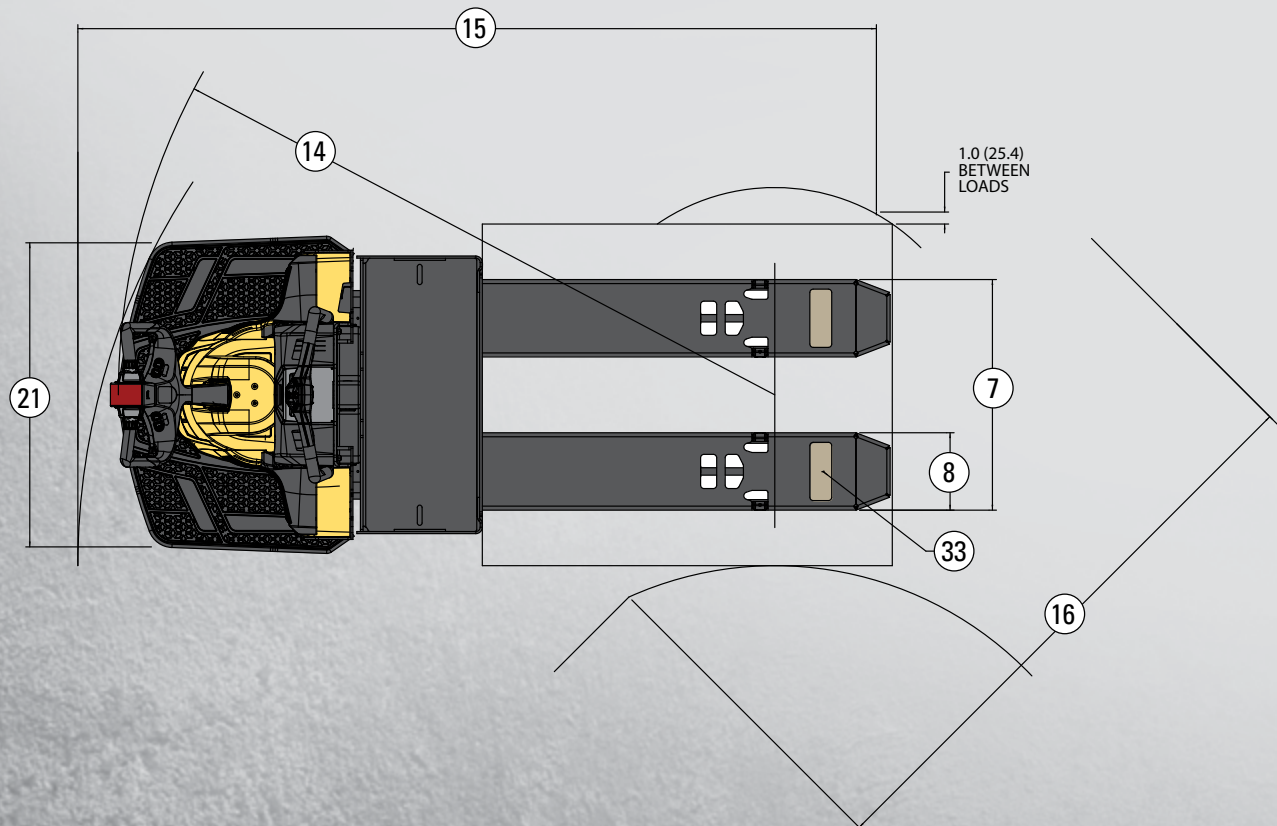
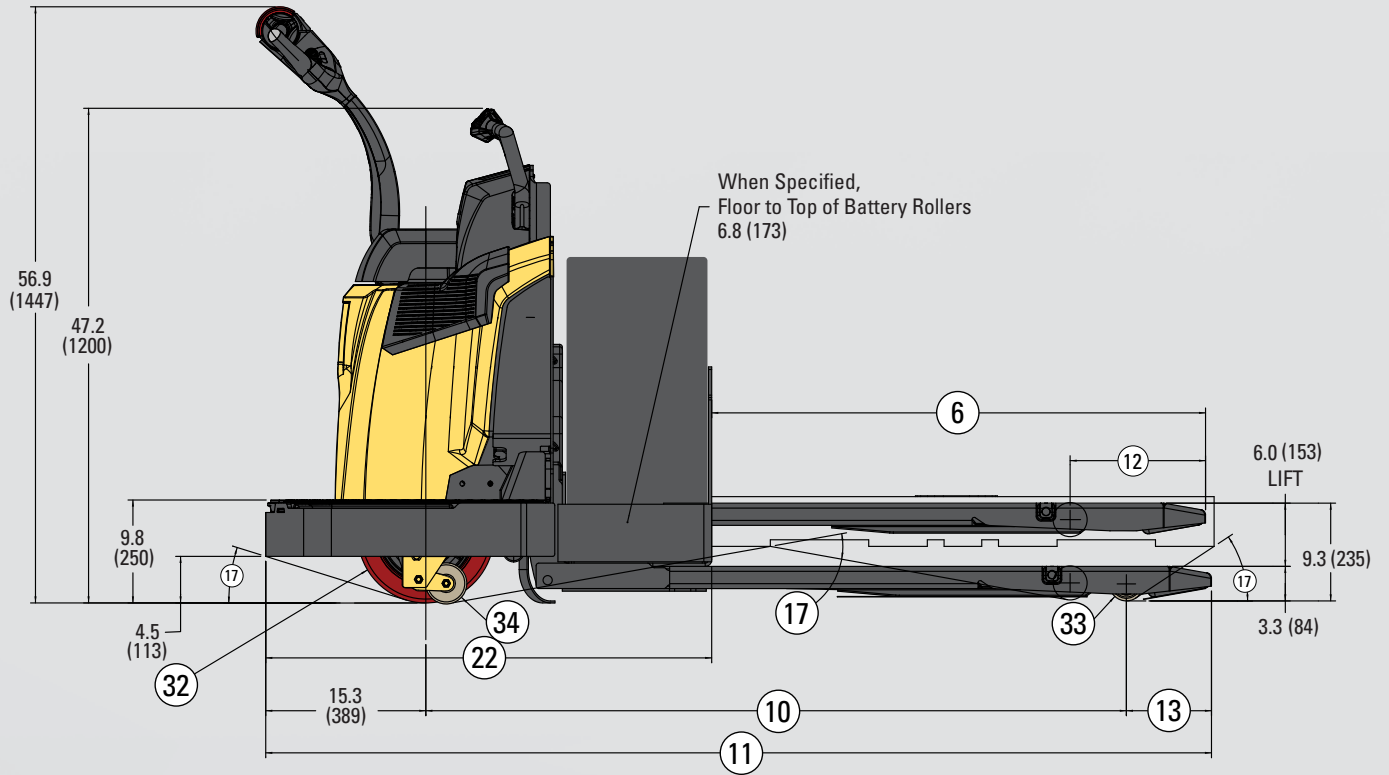


**STRONG PARTNERS.  
TOUGH TRUCKS.™**

# **END RIDER SERIES TECHNICAL GUIDE**

[WWW.HYSTER.COM](http://WWW.HYSTER.COM)

# > B60ZAC2 DIMENSIONS



Circled dimensions correspond to the line numbers on the tabulated chart inside the Technical Guide. Dimensions are in inches (millimeters).

# B60ZAC2 SPECIFICATIONS

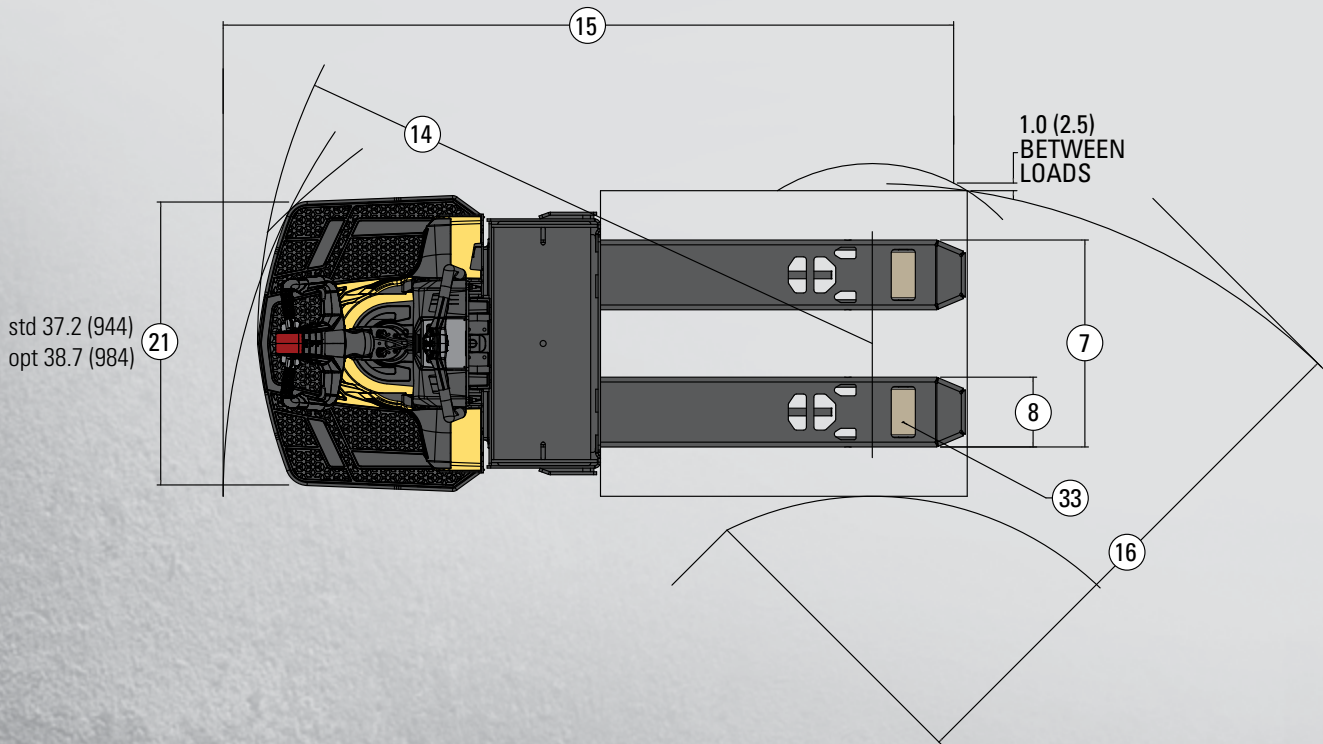
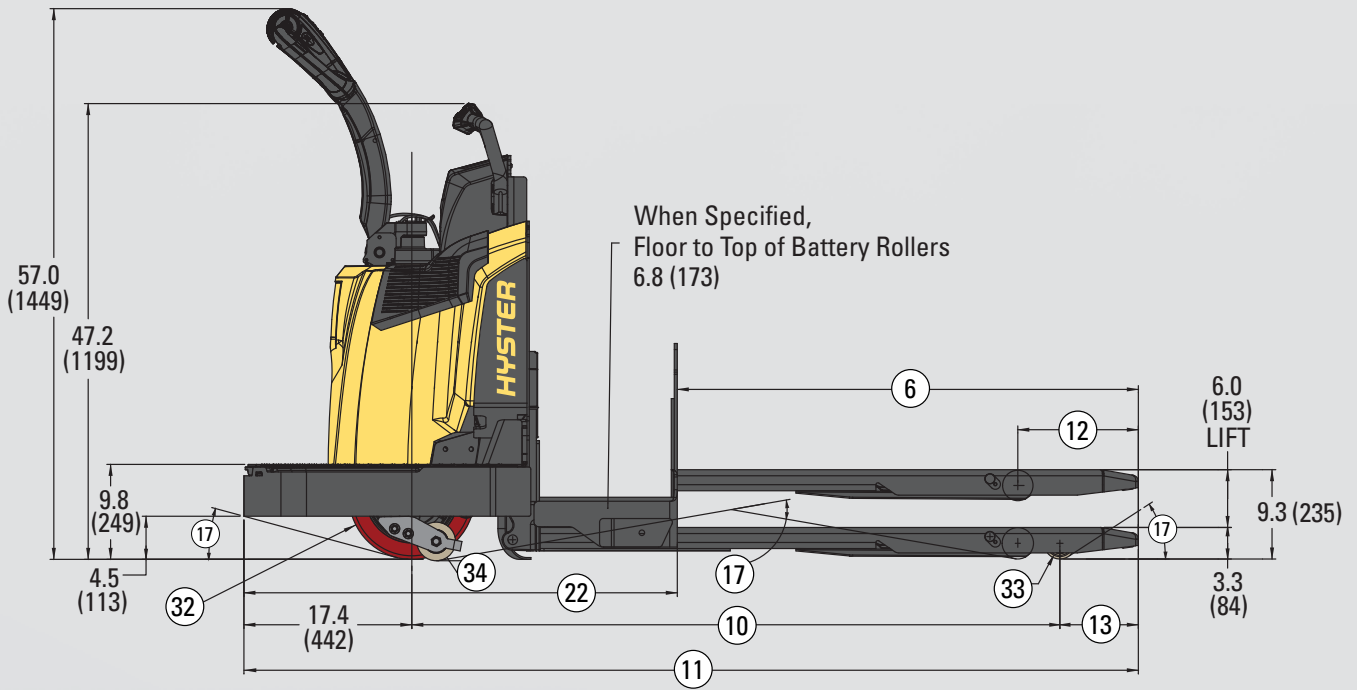


GENERAL	1	Manufacturer		HYSTER					
	2	Model Designation		B60ZAC2					
	3	Power Type		24 VOLT					
	4	Operator Type		STAND RIDE					
	5	Rated Capacity		lb (kg)		6000 (2722)			
	6	Fork Length	Nominal	in (mm)	36 (914)	42 (1067)	48 (1219)	54 (1372)	60 (1524)
			Actual	in (mm)	35.7 (908)	41.8 (1061)	47.8 (1213)	53.7 (1365)	59.8 (1518)
	7	Fork Overall Width		in (mm)	27.1 (688)				
	8	Fork Width	Individual Fork	in (mm)	9.1 (232)				
9	Load Distance (Face of Battery Box to Center of Load Wheels)	Raised	in (mm)	23.3 (591)	29.3 (744)	35.3 (896)	41.3 (1048)	47.3 (1201)	
		Lowered	in (mm)	27.6 (702)	33.6 (854)	39.6 (1007)	45.6 (1159)	51.7 (1312)	
10	Wheelbase	Raised	in (mm)	53.3 (1353)	59.3 (1505)	65.3 (1658)	71.3 (1810)	77.2 (1962)	
		Lowered	in (mm)	57.1 (1450)	63.1 (1602)	69.1 (1755)	75.1 (1907)	81.1 (2060)	
11	Overall Length	Raised	in (mm)	79.1 (2008)	85.0 (2160)	91.1 (2313)	97.0 (2465)	103.1 (2618)	
		Lowered	in (mm)	78.5 (1995)	84.5 (2147)	90.6 (2300)	96.5 (2452)	102.5 (2604)	
12	Center of Load Wheel to Tip of Forks	Raised	in (mm)	12.5 (317)					
13		Lowered	in (mm)	8.1 (206)					
14	Outside Turning Radius	Raised	in (mm)	66.7 (1694)	72.7 (1846)	78.7 (1999)	84.7 (2152)	90.7 (2304)	
		Lowered	in (mm)	70.5 (1791)	76.5 (1943)	82.5 (2096)	88.5 (2249)	94.5 (2401)	
15	Right Angle Stack	Raised	in (mm)	83.6 (2124)	N/A	94.1 (2391)	N/A	N/A	
16	Equal Intersecting Aisle	Raised	in (mm)	63.0 (1599)	N/A	69.2 (1758)	N/A	N/A	
17	Grade Clearance	Chassis	%	28					
		Center of Wheelbase	%	38	34	31	30	27	
		Forks	%	37					
18	Overall Lift Height	Top of Forks	in (mm)	9.3 (235)					
19	Lowered Height	Top of Forks	in (mm)	3.3 (84)					
20	Total Lift		in (mm)	5.9 (151)					
21	Truck Overall Width		in (mm)	37.2 (944)					
22	Chassis Length	Raised	in (mm)	43.3 (1100)					
		Lowered	in (mm)	42.8 (1087)					
23	Battery Compartment (Standard / With Battery Rollers)		32.0 X 13.4 X OPEN (813 X 340 X OPEN)						
PERFORMANCE	24	Max. Travel Speed - Chassis First	No Load / Rated Load	mph (kph)	9.0/6.7 (14.5/10.8)				
	25	Max. Travel Speed - Forks First	No Load / Rated Load	mph (kph)	6.0/6.0 (9.7/9.7)				
	26	Number of Speeds		INFINITELY VARIABLE					
	27	Traction Motor Control Method	Type	AC TRANSISTOR					
28	Service Brake	Type	ELECTRO-MECHANICAL						
WT.	29	Truck Weight (approx.) w/o Battery	No Load	lb (kg)	1382 (627)	1433 (650)	1481 (672)	1523 (691)	1567 (711)
			Rated Load	lb (kg)	7382 (3349)	7433 (3372)	7481 (3394)	7523 (3413)	7567 (3433)
	30	Axle Loading - Drive: Static with Max. Wt. Battery (No Load)		lb (kg)	1735 (787)	1828 (829)	1907 (865)	2002 (908)	2094 (950)
31	Axle Loading - Load Wheels (combined): Static w/Maximum Wt. Battery (No Load)		lb (kg)	802 (364)	754 (342)	719 (326)	670 (304)	622 (282)	
WHEELS	32	Drive Tire - Size / Type (Number of Wheels)		in	10" X 4" x 7.5" / POLYURETHANE (1)				
	33	Load Wheel: Size / Type (No. of Wheels) (No. of Bearings)		in	3.25" X 6.5" / POLYURETHANE (2) (4)				
	34	Caster Wheel: Size / Type (No. of Wheels) Caster Type		in	4.0" X 2.5" / POLYURETHANE (2) URETHANE BLOCK LOADED				
BATTERY	35	Type		LEAD ACID					
	36	Ampere Hours - Maximum		ah	930				
	37	Ampere Hours - Minimum		ah	375				
	38	Maximum Weight		lb (kg)	1500 (680)				
	39	Minimum Weight		lb (kg)	540 (245)				

NOTE: Above specifications, unless otherwise listed, are for a standard truck without optional equipment. Right Angle Stack and Equal Intersecting Aisle are calculated using a 40" wide pallet.

CERTIFICATION: Hyster lift trucks meet the design and construction requirements of B56.1-1969, per OSHA Section 1910.178(a)(2), and also comply with the B56.1 revision in effect at time of manufacture. Certification of compliance with the applicable ANSI standards appears on the lift truck. Performance specifications are for a truck equipped as described under Standard Equipment on this Technical Guide. Performance specifications are affected by the condition of the vehicle and how it is equipped, as well as by the nature, condition of the operating area, proper service and maintenance of the vehicle. If these specifications are critical, the proposed application should be discussed with your dealer.

# > B60-80ZHD2 DIMENSIONS



Optional extended operator platform is depicted above.

Circled dimensions correspond to the line numbers on the tabulated chart inside the Technical Guide. Dimensions are in inches (millimeters).

# B60ZHD2 SPECIFICATIONS <

GENERAL												
1	Manufacturer	HYSTER										
2	Model Designation	B60ZHD2										
3	Power Type	24 VOLT										
4	Operator Type	STAND RIDE										
5	Rated Capacity		lb (kg) 6000 (2722)									
6	Fork Length	Nominal	in (mm)	36 (914)	42 (1067)	48 (1219)	54 (1372)	60 (1524)	84 (2134)	93 (2362)	96 (2438)	
		Actual	in (mm)	35.7 (908)	41.8 (1061)	47.8 (1213)	53.7 (1365)	59.8 (1518)	83.8 (2128)	92.8 (2357)	95.8 (2433)	
7	Fork Overall Width		in (mm)	27.1 (688)						28.0 (710)		
8	Fork Width	Individual Fork	in (mm)	9.1 (232)						10.0 (254)		
9	Load Distance (Face of Battery Box to Center of Load Wheels)	Raised	in (mm)	23.3 (591)	29.3 (744)	35.3 (896)	41.3 (1048)	47.3 (1201)	56.3 (1430)			
		Lowered	in (mm)	27.6 (702)	33.6 (854)	39.6 (1007)	45.6 (1159)	51.7 (1312)	60.6 (1540)			
10	Wheelbase	Raised	in (mm)	51.3 (1303)	57.3 (1455)	63.3 (1608)	69.3 (1760)	75.3 (1912)	84.3 (2141)			
		Lowered	in (mm)	55.3 (1400)	61.1 (1552)	67.1 (1705)	73.1 (1857)	79.1 (2010)	88.1 (2238)			
11	Overall Length	Raised	in (mm)	81.1 (2061)	87.1 (2213)	93.1 (2366)	99.1 (2518)	105.2 (2671)	129.1 (3280)	138.1 (3509)	141.1 (3585)	
		Lowered	in (mm)	80.6 (2048)	86.6 (2200)	92.6 (2353)	98.6 (2505)	104.6 (2657)	128.6 (3267)	137.6 (3496)	140.6 (3572)	
12	Center of Load Wheel to Tip of Forks	Raised	in (mm)	12.5 (317)						27.5 (697)	36.5 (927)	39.5 (1002)
		Lowered	in (mm)	8.1 (206)						23.1 (588)	32.2 (817)	35.1 (892)
14	Outside Turning Radius (Standard Platform)	Raised	in (mm)	66.7 (1694)	72.7 (1846)	78.7 (1999)	84.7 (2152)	90.7 (2304)	99.7 (2533)			
		Lowered	in (mm)	70.5 (1791)	76.5 (1943)	82.5 (2096)	88.5 (2249)	94.5 (2401)	103.5 (2630)			
	Outside Turning Radius (Extended Platform)	Raised	in (mm)	68.8 (1747)	74.8 (1899)	80.8 (2052)	86.8 (2205)	92.8 (2357)	101.8 (2586)			
		Lowered	in (mm)	72.6 (1844)	78.6 (1996)	84.6 (2149)	90.6 (2302)	96.6 (2454)	105.6 (2683)			
15	Right Angle Stack (Standard Platform)	Raised	in (mm)	80.2 (2037)	N/A	91.8 (2332)	N/A	N/A	143.1 (3636)			
		Lowered	in (mm)	81.6 (2073)	N/A	93.8 (2382)	N/A	N/A	144.9 (3681)			
16	Equal Intersecting Aisle (Standard Platform)	Raised	in (mm)	61.5 (1563)	N/A	68.9 (1750)	N/A	N/A	75.7 (1924)			
		Lowered	in (mm)	63.0 (1599)	N/A	70.3 (1786)	N/A	N/A	76.8 (1950)			
17	Grade Clearance	Chassis	%	27								
		Center of Wheelbase	%	38	34	31	30	27	22			
		Forks	%	37						17	13	12
18	Overall Lift Height	Top of Forks	in (mm)	9.3 (235)								
19	Lowered Height	Top of Forks	in (mm)	3.3 (84)								
20	Total Lift		in (mm)	5.9 (151)								
21	Truck Overall Width	Standard Platform	in (mm)	37.2 (944)								
		Extended Platform	in (mm)	38.7 (984)								
22	Chassis Length	Raised	in (mm)	45.4 (1153)								
		Lowered	in (mm)	44.9 (1140)								
23	Battery Compartment (Standard / With Battery Rollers)		32.0 X 13.4 X OPEN (813 X 340 X OPEN)									
24	Max. Travel Speed - Chassis First	No Load / Rated Load	mph (kph)	9.0 / 6.7 (14.5 / 10.8)								
25	Max. Travel Speed - Forks First	No Load / Rated Load	mph (kph)	6.0 / 6.0 (9.7 / 9.7)								
26	Number of Speeds		INFINITELY VARIABLE									
27	Traction Motor Control Method	Type	AC TRANSISTOR									
28	Service Brake	Type	ELECTRO-MECHANICAL									
29	Truck Weight (approx.) w/o Battery	No Load	lb (kg)	1382 (627)	1433 (650)	1481 (672)	1523 (691)	1567 (711)	1687 (765)	1742 (790)	1772 (804)	
		Rated Load	lb (kg)	7382 (3349)	7433 (3372)	7481 (3394)	7523 (3413)	7567 (3433)	7687 (3487)	7742 (3512)	7772 (3526)	
30	Axle Loading - Drive: Static with Max. Wt. Battery (No Load)	lb (kg)	1735 (787)	1828 (829)	1907 (865)	2002 (908)	2094 (950)	2200 (998)	2253 (1022)	2299 (1043)		
31	Axle Loading - Load Wheels (combined): Static w/Maximum Wt. Battery (No Load)	lb (kg)	802 (364)	754 (342)	719 (326)	670 (304)	622 (282)	633 (287)	635 (288)	622 (282)		
32	Drive Tire: Size / Type (Number of Wheels)			13" X 4.5" X 9" / POLYURETHANE (1)								
				3.25" X 6.5" / POLYURETHANE (2) (4)								
				4.0' X 2.5" / POLYURETHANE (2) URETHANE BLOCK LOADED								
35	Type	LEAD ACID										
		Ampere Hours - Maximum	ah	930								
		Ampere Hours - Minimum	ah	375								
		Maximum Weight	lb (kg)	1500 (680)								
		Minimum Weight	lb (kg)	540 (245)								

NOTE: Above specifications, unless otherwise listed, are for a standard truck without optional equipment. Right Angle Stack and Equal Intersecting Aisle are calculated using a 40" wide pallet.

CERTIFICATION: Hyster lift trucks meet the design and construction requirements of B56.1-1969, per OSHA Section 1910.178(a)(2), and also comply with the B56.1 revision in effect at time of manufacture. Certification of compliance with the applicable ANSI standards appears on the lift truck. Performance specifications are for a truck equipped as described under Standard Equipment on this Technical Guide. Performance specifications are affected by the condition of the vehicle and how it is equipped, as well as by the nature, condition of the operating area, proper service and maintenance of the vehicle. If these specifications are critical, the proposed application should be discussed with your dealer.

# > B80ZHD2 SPECIFICATIONS

GENERAL	1	Manufacturer	HYSTER						
	2	Model Designation	B80ZHD2						
	3	Power Type	24 VOLT						
	4	Operator Type	STAND RIDE						
	5	Rated Capacity	8000 (3629)						
	6	Fork Length	Nominal	in (mm)	36 (914)	42 (1067)	48 (1219)	54 (1372)	60 (1524)
			Actual	in (mm)	35.7 (908)	41.8 (1061)	47.8 (1213)	53.7 (1365)	59.8 (1518)
	7	Fork Overall Width	in (mm)		27.1 (688)				
	8	Fork Width	Individual Fork	in (mm)		9.1 (232)			
9	Load Distance (Face of Battery Box to Center of Load Wheels)	Raised	in (mm)	23.3 (591)	29.3 (744)	35.3 (896)	41.3 (1048)	47.3 (1201)	
		Lowered	in (mm)	27.6 (702)	33.6 (854)	39.6 (1007)	45.6 (1159)	51.7 (1312)	
10	Wheelbase	Raised	in (mm)	51.3 (1303)	57.3 (1455)	63.3 (1608)	69.3 (1760)	75.3 (1912)	
		Lowered	in (mm)	55.3 (1400)	61.1 (1552)	67.1 (1705)	73.1 (1857)	79.1 (2010)	
11	Overall Length	Raised	in (mm)	81.1 (2061)	87.1 (2213)	93.1 (2366)	99.1 (2518)	105.2 (2671)	
		Lowered	in (mm)	80.6 (2048)	86.6 (2200)	92.6 (2353)	98.6 (2505)	104.6 (2657)	
12	Center of Load Wheel to Tip of Forks	Raised	in (mm)		12.5 (317)				
		Lowered	in (mm)		8.1 (206)				
14	Outside Turning Radius (Standard Platform)	Raised	in (mm)	66.7 (1694)	72.7 (1846)	78.7 (1999)	84.7 (2152)	90.7 (2304)	
		Lowered	in (mm)	70.5 (1791)	76.5 (1943)	76.7 (1947)	88.5 (2249)	94.5 (2401)	
	Outside Turning Radius (Extended Platform)	Raised	in (mm)	68.8 (1747)	74.8 (1899)	80.8 (2052)	86.8 (2205)	92.8 (2357)	
		Lowered	in (mm)	72.6 (1844)	78.6 (1996)	78.7 (2000)	90.6 (2302)	96.6 (2454)	
15	Right Angle Stack (Standard Platform)	Raised	in (mm)	80.2 (2037)	N/A	91.8 (2332)	N/A	N/A	
		Lowered	in (mm)	81.6 (2073)	N/A	93.8 (2382)	N/A	N/A	
16	Equal Intersecting Aisle (Standard Platform)	Raised	in (mm)	61.5 (1563)	N/A	68.9 (1750)	N/A	N/A	
		Lowered	in (mm)	63.0 (1599)	N/A	70.3 (1786)	N/A	N/A	
17	Grade Clearance	Chassis	%		27				
		Center of Wheelbase	%	38	34	31	30	27	
		Forks	%		37				
18	Overall Lift Height	Top of Forks	in (mm)		9.3 (235)				
19	Lowered Height	Top of Forks	in (mm)		3.3 (84)				
20	Total Lift	in (mm)		5.9 (151)					
21	Truck Overall Width	Standard Platform	in (mm)		37.2 (944)				
		Extended Platform	in (mm)		38.7 (984)				
22	Chassis Length	Raised	in (mm)		45.4 (1153)				
		Lowered	in (mm)		44.9 (1140)				
23	Battery Compartment (Standard / With Battery Rollers)		32.0 X 13.4 X OPEN (813 X 340 X OPEN)						
24	Max. Travel Speed - Chassis First	No Load / Rated Load	mph (kph)		9.0 / 6.0 (14.5 / 9.7)				
		No Load / Rated Load	mph (kph)		6.0 / 6.0 (9.7 / 9.7)				
26	Number of Speeds		INFINITELY VARIABLE						
27	Traction Motor Control Method	Type	AC TRANSISTOR						
28	Service Brake	Type	ELECTRO-MECHANICAL						
29	Truck Weight (approx.) w/o Battery	No Load	lb (kg)	1444 (655)	1495 (678)	1539 (698)	1585 (719)	1629 (739)	
		Rated Load	lb (kg)	9444 (4284)	9495 (4307)	9539 (4327)	9585 (4348)	9629 (4368)	
30	Axle Loading - Drive: Static with Max. Wt. Battery (No Load)		lb (kg)	1858 (843)	1878 (852)	1960 (889)	2055 (932)	2147 (974)	
31	Axle Loading - Load Wheels (combined): Static w/Maximum Wt. Battery (No Load)		lb (kg)	732 (332)	754 (342)	719 (326)	670 (304)	622 (282)	
WHEELS	32 Drive Tire: Size / Type (Number of Wheels)		in 13" X 4.5" X 9" / POLYURETHANE (1)						
	33 Load Wheel: Size / Type (No. of Wheels) (No. of Bearings)		in 3.25" X 6.5" / POLYURETHANE (2) (4)						
	34 Caster Wheel: Size / Type (No. of Wheels) Caster Type		in 4.0" X 2.5" / POLYURETHANE (2) URETHANE BLOCK LOADED						
BATTERY	35 Type		LEAD ACID						
	36 Ampere Hours - Maximum		ah		930				
	37 Ampere Hours - Minimum		ah		375				
	38 Maximum Weight		lb (kg)		1500 (680)				
	39 Minimum Weight		lb (kg)		540 (245)				

NOTE: Above specifications, unless otherwise listed, are for a standard truck without optional equipment.

Right Angle Stack and Equal Intersecting Aisle are calculated using a 40" wide pallet.

CERTIFICATION: Hyster lift trucks meet the design and construction requirements of B56.1-1969, per OSHA Section 1910.178(a)(2), and also comply with the B56.1 revision in effect at time of manufacture. Certification of compliance with the applicable ANSI standards appears on the lift truck. Performance specifications are for a truck equipped as described under Standard Equipment on this Technical Guide. Performance specifications are affected by the condition of the vehicle and how it is equipped, as well as by the nature, condition of the operating area, proper service and maintenance of the vehicle. If these specifications are critical, the proposed application should be discussed with your dealer.

GENERAL	1	Manufacturer			HYSTER				
	2	Model Designation			B80ZHD2				
	3	Power Type			24 VOLT				
	4	Operator Type			STAND RIDE				
	5	Rated Capacity		lb (kg)	8000 (3629)				
	6	Fork Length	Nominal	in (mm)	84 (2134)	93 (2362)	96 (2438)	144 (3658)	
			Actual	in (mm)	83.8 (2128)	92.8 (2357)	95.8 (2433)	143.8 (3652)	
	7	Fork Overall Width		in (mm)	28.0 (710)			28.0 (710)	
	8	Fork Width	Individual Fork	in (mm)	10.0 (254)			10.0 (254)	
	9	Load Distance (Face of Battery Box to Center of Load Wheels)	Raised	in (mm)	56.3 (1430)			104.3 (2649)	83.9 (2131)
Lowered			in (mm)	60.6 (1540)			108.6 (2759)	87.7 (2228)	
10	Wheelbase	Raised	in (mm)	84.3 (2141)			132.3 (3360)	111.4 (2829)	
		Lowered	in (mm)	88.1 (2238)			136.1 (3457)	115.2 (2926)	
11	Overall Length	Raised	in (mm)	129.1 (3280)	138.1 (3509)	141.1 (3585)	189.1 (4804)		
		Lowered	in (mm)	128.6 (3267)	137.6 (3496)	140.6 (3572)	188.6 (4791)		
12	Center of Load Wheel to Tip of Forks	Raised	in (mm)	27.5 (698)	36.5 (927)	39.5 (1003)		59.9 (1521)	
13		Lowered	in (mm)	23.1 (588)	32.2 (817)	35.2 (893)		56.1 (1424)	
14	Outside Turning Radius (Standard Platform)	Raised	in (mm)	99.7 (2533)			N/A	N/A	
		Lowered	in (mm)	103.5 (2630)			N/A	N/A	
	Outside Turning Radius (Extended Platform)	Raised	in (mm)	101.8 (2586)			149.8 (3805)	128.9 (3274)	
		Lowered	in (mm)	105.6 (2683)			153.6 (3902)	132.7 (3371)	
15	Right Angle Stack (Standard Platform)	Raised	in (mm)	143.1 (3636)			N/A	N/A	
		Lowered	in (mm)	144.9 (3681)			188.2 (4780)	190.7 (4877)	
16	Equal Intersecting Aisle (Standard Platform)	Raised	in (mm)	75.7 (1924)			N/A	N/A	
		Lowered	in (mm)	76.8 (1950)			109.8 (2790)	101.6 (2580)	
17	Grade Clearance	Chassis	%	27					
		Center of Wheelbase	%	22			14	17	
		Forks	%	17	13	12	8		
18	Overall Lift Height	Top of Forks	in (mm)	9.3 (235)					
19	Lowered Height	Top of Forks	in (mm)	3.3 (84)					
20	Total Lift		in (mm)	5.9 (151)					
21	Truck Overall Width	Standard Platform	in (mm)	37.2 (944)					
		Extended Platform	in (mm)	38.7 (984)					
22	Chassis Length	Raised	in (mm)	45.4 (1153)					
		Lowered	in (mm)	44.9 (1140)					
23	Battery Compartment (Standard / With Battery Rollers)			32.0 X 13.4 X OPEN (813 X 340 X OPEN)					
24	Max. Travel Speed - Chassis First	No Load / Rated Load	mph (kph)	9.0 / 6.0 (14.5 / 9.7)					
25	Max. Travel Speed - Forks First	No Load / Rated Load	mph (kph)	6.0 / 6.0 (9.7 / 9.7)					
26	Number of Speeds			INFINITELY VARIABLE					
27	Traction Motor Control Method	Type		AC TRANSISTOR					
28	Service Brake	Type		ELECTRO-MECHANICAL					
29	Truck Weight (approx.) w/o Battery	No Load	lb (kg)	1748 (793)	1803 (818)	1834 (832)	2198 (997)	2178 (988)	
		Rated Load	lb (kg)	9748 (4422)	9803 (4447)	9834 (4461)	10198 (4626)	10178 (4617)	
30	Axle Loading - Drive: Static with Max. Wt. Battery (No Load)		lb (kg)	2255 (1023)	2308 (1047)	2357 (1069)	2668 (1210)		
31	Axle Loading - Load Wheels (combined): Static w/Maximum Wt. Battery (No Load)		lb (kg)	633 (287)	635 (288)	622 (282)	661 (300)		
WHEELS	32	Drive Tire: Size / Type (Number of Wheels)		13" X 4.5" X 9" / POLYURETHANE (1)					
	33	Load Wheel: Size / Type (No. of Wheels) (No. of Bearings)		3.25" X 6.5" / POLYURETHANE (2) (4)					
	34	Caster Wheel: Size / Type (No. of Wheels) Caster Type		4.0" X 2.5" / POLYURETHANE (2) URETHANE BLOCK LOADED					
BATTERY	35	Type			LEAD ACID				
	36	Ampere Hours - Maximum		ah	930				
	37	Ampere Hours - Minimum		ah	375				
	38	Maximum Weight		lb (kg)	1500 (680)				
	39	Minimum Weight		lb (kg)	540 (245)				

NOTE: Above specifications, unless otherwise listed, are for a standard truck without optional equipment.

Right Angle Stack and Equal Intersecting Aisle are calculated using a 40" wide pallet.

CERTIFICATION: Hyster lift trucks meet the design and construction requirements of B56.1-1969, per OSHA Section 1910.178(a)(2), and also comply with the B56.1 revision in effect at time of manufacture. Certification of compliance with the applicable ANSI standards appears on the lift truck. Performance specifications are for a truck equipped as described under Standard Equipment on this Technical Guide. Performance specifications are affected by the condition of the vehicle and how it is equipped, as well as by the nature, condition of the operating area, proper service and maintenance of the vehicle. If these specifications are critical, the proposed application should be discussed with your dealer.

## STANDARD EQUIPMENT

- 48" long forks – standard tip
- 27" fork spread
- 37.2" cushioned operator platform
- White rubber platform markers
- Standard construction operating temperatures: +32°F to 120°F
- Smooth red polyurethane drive tire – 85 durometer
  - 13" x 4.5" (B60ZHD2, B80ZHD2)
  - 10" x 4.0" (B60ZAC2)
- Single polyurethane load wheels – 3.25" X 6.5"
- Casters – spring loaded, 4" x 2.5" polyurethane wheel (B60ZAC2)
- Heavy duty casters – urethane block loaded, 4" x 2.5" greaseable, polyurethane wheel (B60ZHD2, B80ZHD2)
- Multifunction color touch display
  - Battery state of charge
  - Hour meter
  - Low battery lift interrupt
  - Performance mode indicator
  - Fault indicator
- Manual steering
- Key ignition switch
- 24 volt AC transistor control electrical system
- Ergonomic rear hand rail
- AC traction motor
- 4 operator selectable, programmable performance modes
- Integrated "soft start" transistor lift pump control
- ADS (Auto Deceleration System) with regenerative braking
- High performance and extended shift feature
- 32.0" x 13.4" open battery compartment
- Electro-mechanical park brake
- UL Classification "E"
- Electronic horn
- Ergonomically designed, impact resistant, composite handle with butterfly travel control (B60ZAC2)
- Cast aluminum control handle with combination rotary grip and butterfly travel control (B60ZHD2, B80ZHD2)
- Pallet exit rollers and runners / entry blades or skids
- Knock-out load wheel axles
- 3-1/4" lowered / 6" lift height / 9-1/4" overall raised
- Boxed fork construction with reinforced fork tips
- Flush pallet stop
- Heavy duty, long life lift linkage with lubrication fittings
  - "X" groove style greaseable pivot bushings
  - Hardened, bolt retained flag linkage pins
- On-board software
  - Program, test and diagnose
  - No handset required
  - Password protected
- Operating manual
- 12 months / unlimited hour manufacturer's warranty
- 36 months / 6,000 hour powertrain warranty


## OPTIONAL EQUIPMENT

- UL Classification "EE"
- Electronic power assist steering
- Battery rollers
- Cast aluminum control handle with combination rotary grip and butterfly travel control (B60ZAC2)
- Shift Assist Functions:
  - Intelligent Lift/Lower
  - Intelligent Acceleration
  - Intelligent Slow Down™
  - Intelligent Cruise
- Convenience tray (load backrest mounted or battery mounted)
- RF terminal power supply – 24-volt
- Audible alarm
- Visible alarm – pole mounted amber strobe
- Precision Pick (B60ZHD2, B80ZHD2)
- Advanced Coast Control with Side Glide
- Stability casters
  - Heavy duty greaseable wheel (B60ZAC2)
  - Heavy duty sealed wheel
- LED platform lights
- LED fork lights (B60ZHD2, B80ZHD2)
- 38.7" extended operator platform (B60ZHD2, B80ZHD2)
- Ultra Cushion floor mat (B60ZHD2, B80ZHD2)
- Fork lengths
  - 36" standard tip
  - 42" standard tip
  - 54" standard tip
  - 60" standard tip
  - 96" standard tip (B60ZHD2)
  - 84" extended tip
  - 93" extended tip
  - 96" extended tip
  - 144" extended tip (B80ZHD2)
  - 144" short wheelbase extended tip (B80ZHD2)
- Drive tire
  - B60ZAC2: 10" x 4.0" Red Poly Grooved 85D  
10" x 4.0" Smooth Poly 93D  
10" x 4.0" SuperSmooth Poly 93D
  - B60-80ZHD2: 13" x 4.5" Red Poly Grooved 85D  
13" x 4.5" Smooth Poly 93D  
13" x 4.5" SuperSmooth Poly 93D
- Load wheels: Single and dual  
2 bearing and 4 bearing  
Standard (greaseable) and sealed wheel bearings
- Load backrest: 48" high (pivoting or bolt-on)  
60" high (pivoting or bolt-on)  
72" high (bolt-on)
- Application/Environmental Construction
  - Cooler/Freezer Package: Operating temps: 0°F to +120°F
  - SUBZERO Freezer Package: Operating temps: -40°F to +120°F
  - Wash Down Package: Operating temps: 0°F to +120°F
  - Extreme Corrosion Wash Down Package: Operating temps: 0°F to +120°F



Hyster Company  
P.O. Box 7006  
Greenville, North Carolina  
27835-7006  
Part No. ENDRIDER/TG  
3/2019 Litho in U.S.A.

Visit us online at [www.hyster.com](http://www.hyster.com) or call us at **1-800-HYSTER-1**.

Hyster, , and STRONG PARTNERS. TOUGH TRUCKS. and MONOTROL are registered trademarks in the United States and certain other jurisdictions. Hyster products are subject to change without notice.

Trucks may be shown with optional equipment. © 2019 Hyster Company. All rights reserved.