

Attachments Full Line-Up

Best In Class Durability, Reliability
& Performance



DAEMO

DAEMO ENGINEERING CO., LTD.

Constant Innovation is our Passion

For over two decades, we have constantly developed future oriented hydraulic attachments to meet changing attachment market requirements.

Always with our passion in mind, we work with customers, end-users and suppliers to produce innovative solutions and to achieve customer satisfaction as quickly and efficiently as possible. Our continuous efforts on R&D, vast field experience and producing know-how characterize our quality products and secure our position as one of the leading hydraulic attachment manufacturers in Korea.

This is how we constantly innovate ourselves and keep our passion alive.

2016 Established a branch office in India

2014 Chosen as “World Class 300 Company” by Small Medium Business Administration

2013 Awarded Presidential Prize for Excellent Contribution on Korean Construction Machinery Industry.

2011 Awarded the prize of USD 30 million export.

2010 Acquisition of “Strong Exporter Certificate” from Industrial Bank of Korea

2007 Acquisition of “ISO14001” & Awarded the prize of USD 20 million export.

2003 Established a branch office in China and Europe

2000 Established a branch office in California, USA.

1998 Awarded Presidential Prize for Excellent Machinery

1995 Acquired “CE” Certification from TUV in Germany

1992 OEM Agreement with Hyundai Heavy Industries & Development Non-Acumulator Type Breaker

1989 Founding of Daemo Engineering Co., Ltd.



Constant Passion



Quality Management System



Customer Satisfaction

CONTENTS

BREAKER	04	RAKE	19
alicon breaker			
SHEAR	08	MAGNET	20
CRUSHER & PULVERIZER	10	RIPPER	21
Mini Crusher		COMPACTOR	22
Fixed Crusher		QUICK COUPLER	23
Rotating Crusher		Triple Safety Quick Coupler	
Rotating Pulverizer		MATERIAL HANDLER	25
MULTI PROCESSOR	14	CLAMSHELL BUCKET	26
Multi Processor (Quick Change)			
CAR DISMANTLER	16		
GRAPPLE	17		
Orange Grapple			
Wood Grapple (Link)			



Top Split Type

Side Type

Skid Loader Type

Backhoe Type

B140	B180	B210	B230	B250	B300	B360	B450	B650	B800	B1000	
10~15	16~20	18~25	18~25	22~29	26~32	28~36	40~50	42~81	55~100	85~140	
called without Accumulator			Outer Control valve installed with Accumulator							Internal c.valve	
773	1,199	1,647	1,663	2,020	2,796	2,806	3,628	*	*	*	
929	1,209	1,738	1,777	2,165	2,832	2,937	3,713	4,380	5,625	8,060	
1,903	2,094	2,348	2,348	2,457	2,732	2,732	3,070	*	*	*	
2,225	2,455	2,764	2,764	2,898	3,200	3,200	3,595	3,766	4,059	4,875	
105	120	135	140	145	150	155	165	180	200	220	
975	1,165	1,250	1,250	1,280	1,400	1,400	1,650	1,500	1,700	1,900	
190	210	210	210	210	210	210	210	240	240	240	
120~160	120~170	130~170	130~180	140~180	140~180	140~180	140~180	150~190	150~190	175~200	
90~110	100~140	110~160	130~170	150~210	180~250	180~250	200~280	280~400	320~450	380~455	
350~550 (500~750)	350~550 (500~850)	350~500 (450~600)	250~400 (350~500)	250~350 (300~450)	200~350 (300~480)	200~350 (300~480)	200~300 (300~450)	250~420 (300~500)	200~350 (250~400)	300~360	
12	12	11	11	11	11	11	11	16	11	11	

Scrap Shear (Long Body Type)



FEATURES

- Maximized cutting force.
- H-beam and I-beam can be cut in a single cut.
- Easier cutter replacement.
- Speed-up valve accelerates work speed (Standard)
- Hardox 400 for heavy duty body



SPECIFICATIONS

Description	Unit	Guide Block Type		
		DMS400	DMS550X	DMS700
Operating Weight	kg	5,300	6,800	7,900
	lb	11,684	14,991	17,416
Max. Opening Width	mm	710	802	896
	inch	28	31.8	35.3
Overall Length	mm	4,625	5,050	5,480
	inch	182	198.8	215.7
Cutting Force(Max)	ton	1,150	1,500	1,750
Max. Cutting Speed (Open / Close)	Sec	5.9 / 5.7	9.8 / 5.8	8.2 / 4.9
Operating Pressure	kgf/cm ²	340	340	340
	psi	4,836	4,836	4,836
Oil Flow Rate	LPM	200~320	250~320	320~
	GPM	52.8~79.3	66.1~84.6	84.6~
Excavator Class	ton	25~(2nd), 41~(3rd)	36~(2nd), 50~(3rd)	42~(2nd), 73~(3rd)

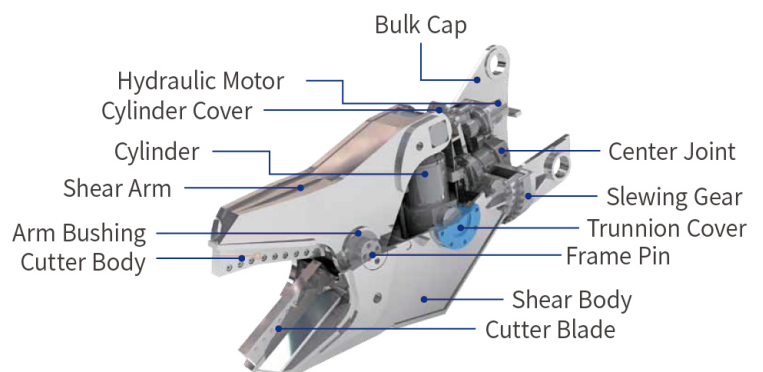
Description	Unit	Guide Block Type			
		DMS400	DMS550X	DMS700	
Cutting Capability	mm	H-Beam	350×350	380×380	450×450
		I-Beam	400×175	600×190	600×190
		Solid Round	70	80	90
		Channel Plate	425×100×10	425×100×10	425×100×10
		Angle Plate	200×200×25	250×250×25	250×250×30

Shear (Short Body Type)



FEATURES

- 360° workable direction.
- H-beam and I-beam can be cut in a single cut.
- Easier cutter replacement.
- Speed-up valve accelerates work speed (Optional)
- Light weight and High durability



SPECIFICATIONS

Description	Unit	None Guide Block Type		Demolition	Guide Block
		DMS250	DMS300	DMS330	DMS360
Operating Weight	kg	2,200	2,920	2,790	3,450
	lb	4,850	6,437	6,151	7,606
Max. Opening Width	mm	668	570	806	456
	inch	26.3	22.4	31.7	18.0
Overall Length	mm	2,353	2,410	2,588	2,690
	inch	92.6	94.9	101.9	105.9
Cutting Force(Max)	ton	259	370	347	495
Operating Pressure	kgf/cm ²	320	320	320	320
	psi	4,552	4,552	4,552	4,552
Oil Flow Rate	LPM	200~250	250~300	250~300	290~320
	GPM	52.8~66.1	66.1~79.3	66.1~79.3	76.7~84.6
Excavator Class	ton	22~27	27~33	27~33	33~45

Description	Unit	None Guide Block Type		Demolition	Guide Block	
		DMS250	DMS300	DMS330	DMS360	
Cutting Capability	H-Beam	mm	150×150	200×200	200×200	300×300
			200×125	300×150	300×150	350×150
	I-Beam		40	50	50	60
			250×90×13	380×100×16	380×100×16	425×100×10
	Channel Plate		100×100×10	150×150×15	150×150×15	200×200×20
	Angle Plate					

Mini Crusher



FEATURES

- Dual Cylinder system for speedy & powerful operation.
- Improved durability using Hardox material.
- Easy maintenance.
- High performance & Low vibration.
- Speed-up valve accelerates work speed (optional).
- Free rotating type (standard).



SPECIFICATIONS

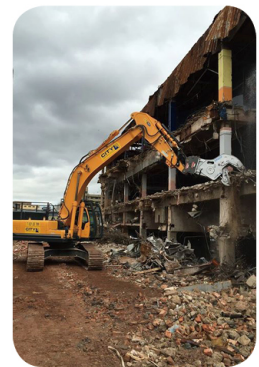
Description	Unit	DMC10	DMC11	DMC30	DMC31	DMC50	DMC51
Operating Weight	kg	160	170	265	310	420	420
Max. Opening Width	mm	330	360	410	430	520	530
Crushing Force (End)	ton	17	22	25	28	35.2	32
Excavator Class	ton	1.5~2	1.5~2	2.5~3.5	2.5~3.5	4~5.5	4~5.5
Cylinder Type	ea	2	1	2	1	2	1

Fixed Crusher



FEATURES

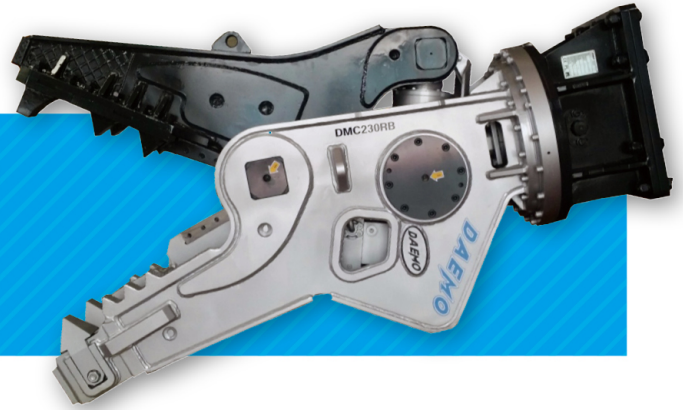
- Durability with wear-resistant tooth material.
- Low noise, less vibration design.
- Dual purpose : crushing concrete and cutting steel bars.
- Tooth replacement and speed-up valve (optional).
- Welding tooth type and Bolting tooth type available.



SPECIFICATIONS

Description	Unit	DMC140	DMC140B	DMC180	DMC180B	DMC210	DMC210B	DMC300	DMC300B
Operating Weight	kg	1,314	1,350	1,418	1,450	1,926	1,980	2,550	2,600
	lb	2,897	2,976	3,216	3,197	4,246	4,365	5,622	5,732
Max. Opening Width	mm	612		728		784		915	
	inch	24.1		28.7		30.9		36.0	
Overall Length	mm	1,965	1,945	2,050	2,020	2,222		2,351	2,380
	inch	77.4	76.6	80.7	79.5	87.5		92.6	93.7
Crushing Force (End)	ton	42		44		57		73	
Operating Pressure	kgf/cm ²	280		280		320		320	
	psi	3,983		3,983		4,552		4,552	
Oil Flow Rate	LPM	170~220		180~230		200~250		250~300	
	GPM	44.9~58.2		47.6~60.8		52.8~66.1		66.1~79.3	
Excavator Class	ton	13~20		16~23		20~28		27~36	

Rotating Crusher



FEATURES

- 360° workable direction.
- Workable on narrow building spaces or noise regulated environments.
- Speed-up valve accelerates work speed (optional).
- Moving arm tooth replaceable as standard
- Welding tooth type and Bolting tooth type available.



SPECIFICATIONS

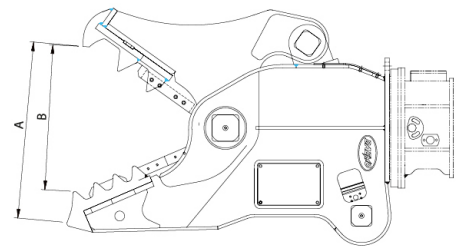
Description	Unit	DMC230R	DMC230RB	DMC330R	DMC330RB
Operating Weight	kg	2,250	2,300	3,050	3,100
	lb	4,960	5,071	6,724	6,834
Max. Opening Width	mm	780		890	
	inch	30.7		35.0	
Overall Length	mm	2,500	2,480	2,660	2,685
	inch	98.4	97.6	104.7	105.7
Crushing Force (End)	ton	57		73	
Operating Pressure	kgf/cm ²	320		320	
	psi	4,552		4,552	
Oil Flow Rate	LPM	200~250		250~300	
	GPM	52.8~66.1		66.1~79.3	
Excavator Class	ton	20~28		27~36	

Rotating Pulverizer



FEATURES

- Enlarged cutter length & Optimized crushing power
- Cover plate for protecting cylinder
- Speed-up valve accelerates work speed.
- Exchangeable wear parts: arm, body tooth, cutter
- Hardox 400 for high durability

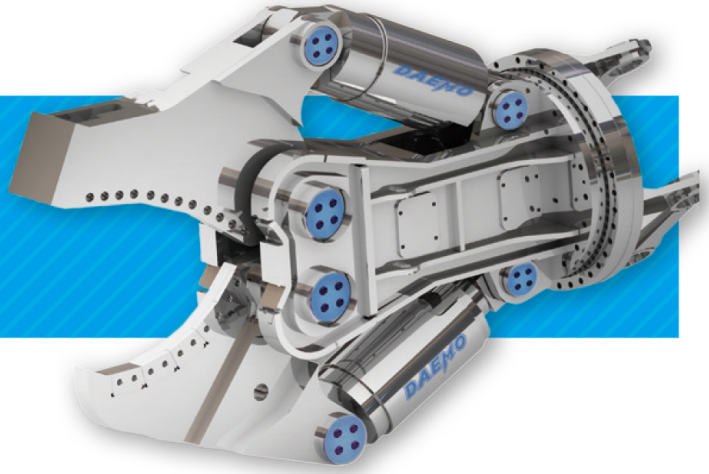


Bolting Type Tooth : Wearable part can be easily replaced.

SPECIFICATIONS

Description	Unit	DRP185	DRP235
Operating Weight (Excluding M.BKT)	kg	1,700	2,200
	lb	3,748	4,850
Max. Opening Width (A)	mm	740	800
	inch	29.1	31.5
Max. Opening Width (B)	mm	900	960
	inch	35.4	37.8
Overall Length	mm	1,966	2,177
	inch	77.4	85.7
Crushing Force (End)	ton	85	110
Operating Pressure	kgf/cm ²	320	320
	psi	4,552	4,552
Oil Flow Rate	LPM	180~220	220~320
	GPM	47.6~58.1	58.1~84.5
Open / Close time	Sec	1.8 / 1.7	1.6 / 1.8
Excavator Class	ton	18~28	24~32

Multi Processor



FEATURES

- Hydraulic rotating motor provides improved mobility.
- Crushing concrete and cutting steel as switching arms.
- 360° full rotating
- Speed-up valve applied (optional)



SPECIFICATIONS

Description	Unit	DMP130CFS	DMP230CMS	DMP230SM	DMP330CMS	DMP330CML	DMP330SM
Operating Weight	kg	1,200	1,730	1,810	2,850	2,910	3,000
	lb	2,646	3,814	3,990	6,283	6,415	6,614
Max. Opening Width	mm	700	900	486	1,110	1,220	613
	inch	27.6	35.4	19.1	43.7	48	24.1
Overall Length	mm	1,773	2,044	2,247	2,474	2,546	2,508
	inch	69.8	80.5	88.5	97.4	100.2	98.7
Average Crushing Force	ton	60	82	118	136	121	197
Max. Cutting Force	ton	251	577	343	584	584	559
Operating Pressure	kg/cm ²	280	320	320	320	320	320
	psi	3,983	4,552	4,552	4,552	4,552	4,552
Oil Flow Rate	LPM	170~220	200~250	200~250	250~300	250~300	250~300
	GPM	44.9~58.2	52.8~66.1	52.8~66.1	66.1~79.3	66.1~79.3	66.1~79.3
Excavator Class	ton	13~20	18~26	18~26	27~36	27~36	27~36

Multi Processor (Quick Change)



FEATURES

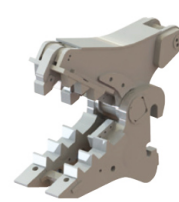
- Replaceable arms and tooth (Crusher, Shear, Demolition and Pulverizer)
- Best material 'Hardox Hituf' and 'Hardox 400'
- Required Arm can be replaced within 10 minutes (Quick Change)
- Speed-up valve increases work efficiency (Standard)



Crusher



Demolition



Pulverizer



Shear



SPECIFICATIONS

Description	Unit	DMP200Q				DMP250Q			
		Crusher	Demolition	Pulverizer	Shear	Crusher	Demolition	Pulverizer	Shear
Operating Weight	kg	2,183	2,190	2,200	2,037	2,900	2,820	2,826	2,698
Crushing Force (Tip)	ton	59	60	60	85	85	85	85	120
Crushing Force (Mid)	ton	82	98	92	140	120	140	130	190
Opening Width	mm	791	727	843	393	875	940	945	480
Width Upper Jaw	mm	127	127	310	99	80	80	316	120
Width Lower Jaw	mm	360	360	380	250+200	426	500	490	352
Cutter Length	mm	180x2	200	200	200	200+200	200	200	300+250
Operating Pressure	kg/cm ²	320				320			
Oil Flow Rate	LPM	120~200				200~250			
Cycle Time (Open/Close)	sec	2.0/2.1				2.0/2.3			
Rotation Pressure	kg/cm ²	160				160			
Rotation Flow	LPM	36~40				36~40			
Excavator Class	ton	18~25				25~35			

Car Dismantler



FEATURES

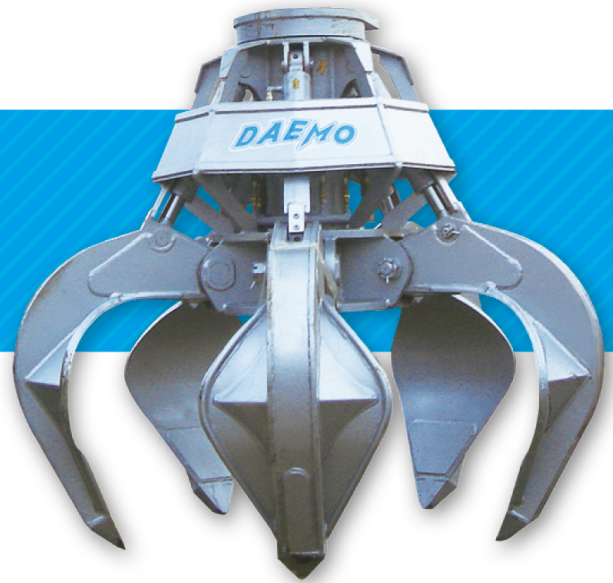
- Clamp arm and 360° rotating cutter enables elaborate work.
- Speedy demolition without pre-process.
- Car dismantle work can performed by one machine.
- Engine pulling type available.



SPECIFICATIONS

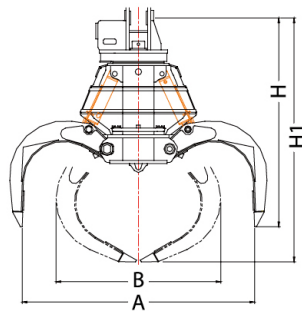
Description	Unit	DMCP140R	DMCP230R	DMCP300R
Rotation Type		Rotating Head type		
Operating Weight	kg	870	1,800	2,880
Max. Opening Width	mm	700	600	866
Max. Cutting Force	ton	49	170	303
Cutter Length	mm	225	225	225X2
Operating Pressure	kg/cm ²	320	320	320
Oil Flow Rate	LPM	170~220	200~300	250~300
Excavator Class	ton	13~18	20~28	27~33

Orange Grapple



FEATURES

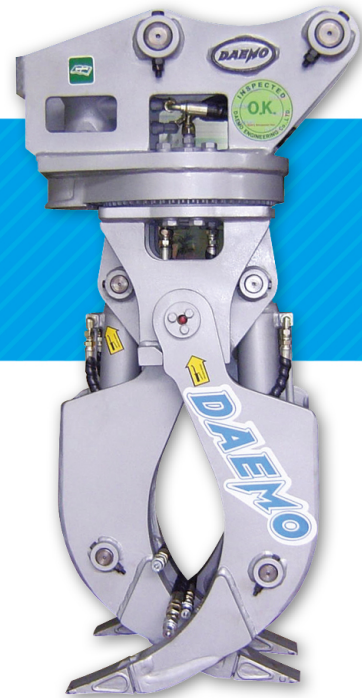
- Loading / Unloading metal scrap, waste and garbage.
- Pendulum type.
- Tine type : Half-sealed (Standard)
- Rotating type : Hydraulic



SPECIFICATIONS

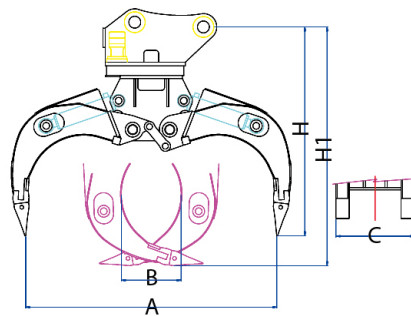
Description	Unit	DMSG800
Operating Weight	kg	1,200
Capacity	m ³	0.7
Max Clamping Force	ton	10.8
(A) Max Opening Width	mm	1,820
(B) Closing Width	mm	1,290
(H) Opening Length	mm	1,630
(H1) Overall Length	mm	1905
Excavator Class	ton	18-25
Standard Tines No.	ea	5

Wood Grapple



FEATURES

- Link Type mounting bracket.
- Rotating Type.
- Loading/unloading timbers, logs and pipes.
- Wide jaws suitable for various work requirement
- High efficiency.



SPECIFICATIONS

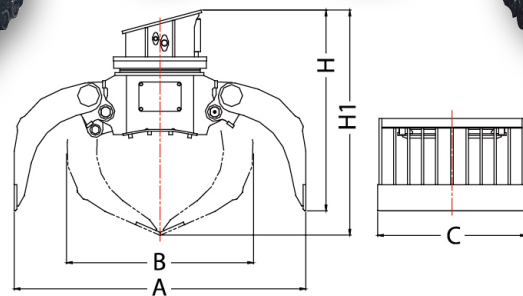
Description	Unit	Link Type
		DMWL800
Operating Weight	kg	890
Capacity	m ²	0.55
Max Clamping Force	ton	17.7
(A) Max Opening Width	mm	1,700
(B) Closing Width	mm	304
(C) Jaw Width	mm	670
(H) Height (Open)	mm	1,545
(H1) Overall Length	mm	1755
Excavator Class	ton	18-25

Sorting Grab / Rake



FEATURES

- Link type mounting bracket.
- Rotation option : fixed or hydraulic
- Tooth replacement type.
- Powerful performance with two cylinders.



SPECIFICATIONS

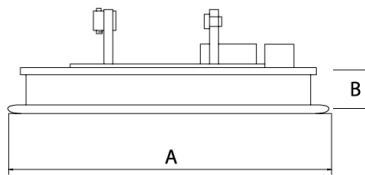
Description	Unit	DMR300	DMR600	DMR800	DMR1000
Operating Weight	kg	550	970	1,300	2,200
Capacity	m ³	0.36	0.36	0.6	0.93
Max Clamping Force	ton	2.8	3.7	5	7.4
(A) Max Opening Width	mm	1,600	1,790	2,180	2,445
(B) Closing Width	mm	987	1,210	1,356	1,485
(C) Jaw Width	mm	630	800	1,000	1,100
(H) Height (Open)	mm	1,076	1,216	1,437	1,595
(H1) Overall Length	mm	1,247	1,379	1,682	1,900
Excavator Class	ton	7-12	14-18	18-25	25-36

Magnet



FEATURES

- Extended operational area.
- High efficiency for loading / unloading metal scrap.
- Reduced cost of follow-up maintenance.
- Type options : fixed, link, knuckle and grapple.
- Convenient maintenance using hydraulic generator



SPECIFICATIONS

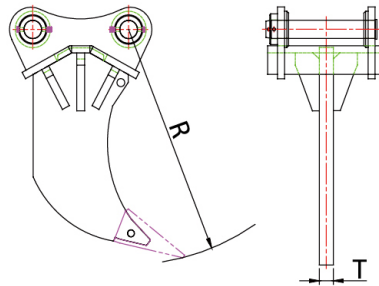
Description		Unit	DMSL920	DMSL1150	DMSL1350	DMSL1550	DMSL1850
Operating Weight		kg	850	1,400	1,850	2,300	3,000
Measurement	A	∅	920	1,150	1,350	1,550	1,850
Capacity	Iron plate	kg	9,000	14,000	19,000	24,000	27,000
	lump of iron		200	600	1,200	1,600	2,000
	Scrap		200	400	800	1,000	1,200
Electric Current		A	26	43	60	78	95
Hydraulic Generator (Max)		kW	10	15(STD) / 20(OPTION)	20	30	
Magnetic Coil Power(Max)		kW	9	14.5/19.5	19.5	29.5	
Excavator Class		ton	10-55	18-25	25-32	32-45	47-50

Ripper



FEATURES

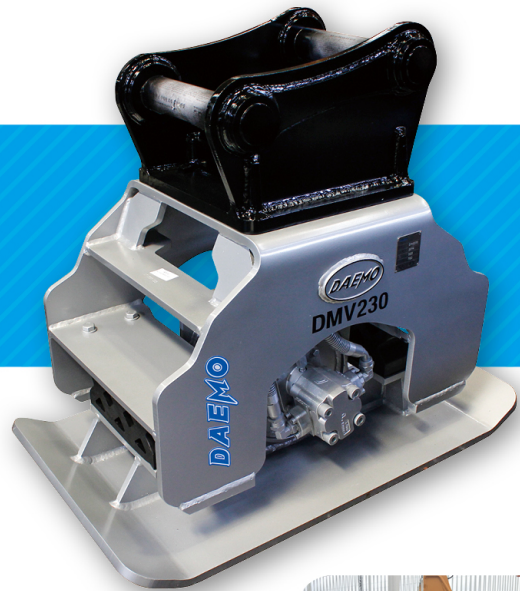
- Scarify frost and hard ground prior to using a bucket
- Used for removing stumps, roots or rebar.
- High strength and solid body.
- Single & Double points type available.



SPECIFICATIONS

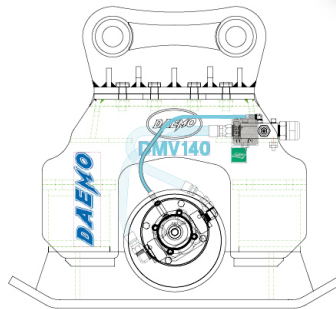
Description	Unit	DMSPR140	DMDPR140	DMSPR230	DMDPR230	DMSPR360	DMDPR360	DMSPR450	DMDPR450
Point Option		Single	Double	Single	Double	Single	Double	Single	Double
Operating Weight	kg	230	310	390	580	770	1,100	770	1,100
Shank Thickness (T)	mm	450		750		80		80	
Tip Radius (R)	mm	940		1,050		1,290		1,290	
Excavator Class	ton	11~14		16~25		25~32		36~50	

Compactor



FEATURES

- High compaction efficiency for ground, trench and slope.
- Requires breaker piping line (S/ACT) (additional)
- Control block system for easy & safe setting.
- Robust design with bending structure & hub type damper.



SPECIFICATIONS

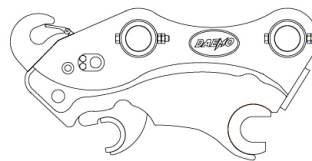
Description		Unit	DMV50	DMV140	DMV230	DMV300
Max. Impulse Force		ton	2.3	3.7	7.5	11
Operating Weight		kg	342	624	850	1,282
Compact Area	Width	mm	450	650	750	900
	Length	mm	700	750	1,000	1,200
Flow Rate Range		LPM	30~55	90~110	130~170	180~250
Max. Cycle Per Minute		RPM	2,500	2,500	2,200	2,200
Operating Pressure		Kgf/cm ²	100~140	120~160	130~180	140~180
Excavator Class		ton	2~7	8~15	15~22	25~47

Quick Coupler

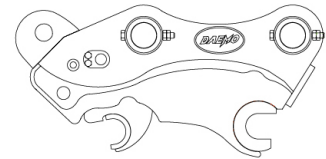


FEATURES

- Various applications with the wide Pin-to-Pin distance.damper.
- Outstanding durability by using abrasion-resistant and high strength material.
- Safety valve integrated cylinder and manual safety pin.



Open Hook Type



Close Hook Type

SPECIFICATIONS

Description	Unit	DMQ16	DMQ27	DMQ35	DMQ50	DMQ70	DMQ80	DMQ140
Operating Weight	kg	31	38	40	72	85	92	184
Setting Pressure	Kgf/cm ²	40~210	40~210	40~210	40~210	N/A	40~280	40~320
Oil Flow	LPM	10~20	10~20	10~20	10~20	N/A	10~20	10~20
Bucket Pin	mm	ø30	ø35	ø40	ø45	ø45	ø55	ø65
Pin-to-pin distance	mm	140~161.5	175~210	195~227	285~293	342	285~341	380~445
Excavator Class	ton	1.6	2.7	3.5	5	7	8	14

Description	Unit	DMQ170	DMQ230	DMQ290	DMQ360	DMQ450	DMQ500	DMQ800
Operating Weight	kg	352	374	556	680	692	719	1,126
Setting Pressure	Kgf/cm ²	40~320	40~320	40~350	40~350	40~350	40~350	40~350
Oil Flow	LPM	10~20	10~20	10~20	10~20	10~20	10~20	10~20
Bucket Pin	mm	ø70	ø80	ø90	ø100	ø100	ø120	ø130
Pin-to-pin distance	mm	399~440	444~500	510~530	540~560	560~600	560~600	720~725
Excavator Class	ton	17	21	25~30	32~36	45~48	50~52	80

Quick Coupler (Triple Safety)



FEATURES

- Improved durability using Hardox 400 (Hitch & Hook)
- Robust structure with Triple Safety locking system
- Automatic locking mechanism for both front and rear without leaving the cabin
- Rear Pin Lock allows the operator to clearly see from the cabin.

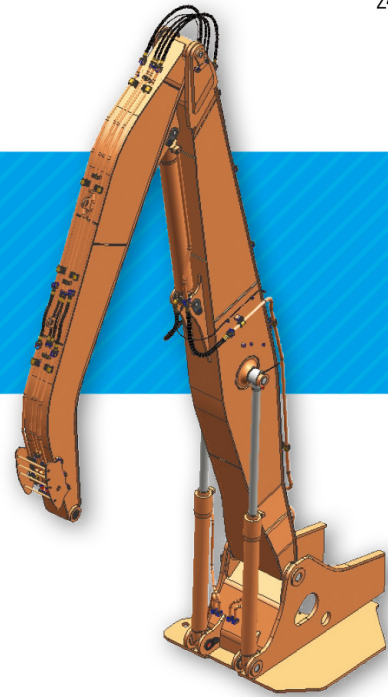


SPECIFICATIONS

Description	Unit	DMQ16TS	DMQ27TS	DMQ35TS	DMQ50TS	DMQ80TS	DMQ140TS
Manufacturing Type		Cast Steel				Canning & Welding	
Operating Mode		Sliding(Push) + Triple Safety					
Operating Weight	kg	30	41	44	73	80	255
Setting Pressure	Kgf/cm ²	40~210	40~210	40~210	40~210	40~280	40~380
Oil Flow	LPM	10~20	10~20	10~20	10~20	10~20	10~20
Pin Diameter	mm	ø30	ø35	ø40	ø45	ø55	ø65
Range of Center	mm	140~170	170~210	180~225	255~355	275~360	355~485
Excavator Class	ton	1.6~1.7	2.7	3.5	5	8	14

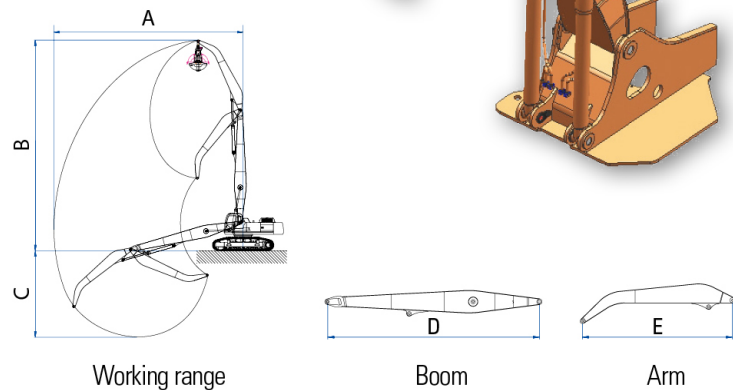
Description	Unit	DMQ170TS	DMQ230TS	DMQ290TSS	DMQ360TSS	DMQ500TSS
Manufacturing Type		Canning & Welding				
Operating Mode		Sliding + Triple Safety		Swing(Push) + Triple Safety		
Operating Weight	kg	255	285	482	690	690
Setting Pressure	Kgf/cm ²	40~380	40~380	40~380	40~380	40~380
Oil Flow	LPM	10~20	10~20	10~20	10~20	10~20
Pin Diameter	mm	ø70	ø80	ø90	ø100	ø120
Range of Center	mm	370~503	380~504	510~575	545~630	560~620
Excavator Class	ton	17	21	30	36	45~50

Material Handler



FEATURES

- Low-alloy steel increased maximum strength to weight.
- Standard package : Boom + Arm
- Various kinds of grapple and clamshell bucket can be installed



SPECIFICATIONS

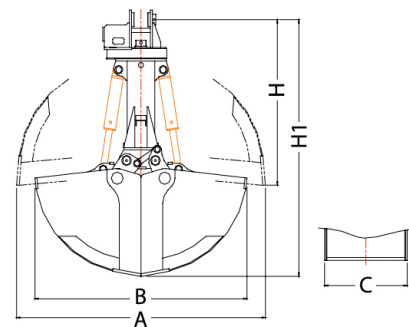
Description	Unit	Wheel		Crawler						
		DMMH2140	DMMH2200	DMMH2140	DMMH2210	DMMH2290	DMMH2320	DMMH2360	DMMH2480	DMMH2520
(A) Max Operating Reach	mm	9,060	11,000	9,060	11,100	13,000	13,680	14,950	16,800	16,700
(B) Max Operating Height	mm	10,630	12,670	9,800	12,500	14,500	15,030	16,350	18,300	17,650
(C) Max Operating Depth	mm	4,150	4,700	4,400	4,800	6,200	6,420	7,400	6,900	7,740
(D) Boom Length	mm	5,550	6,500	5,550	6,500	7,800	7,800	8,600	10,000	10,000
(E) Arm Length	mm	3,850	4,500	3,850	4,500	5,400	6,050	6,050	7,100	7,100
Lift capacity at Maximum Reach	kg	(SNS : 1.6 Ton)	(SNS : 2.4 Ton)	(SNS : 1.6 Ton)	(SNS : 2.4 Ton)	(SNS : 2.6 Ton)	(SNS : 2.6 Ton)	(SNS : 3.0 Ton)	(SNS : 3.5 Ton)	(SNS : 3.5 Ton)
Additional Counter Weight	kg	(SNS : 1.0 Ton)	(SNS : 1.5 Ton)	(SNS : 1.0 Ton)	(SNS : 1.5 Ton)	(SNS : 2.0 Ton)	(SNS : 2.0 Ton)	(SNS : 2.5 Ton)	(SNS : 3.0 Ton)	(SNS : 3.0 Ton)
Suitable Excavator	ton	14~20	20~27	14~20	21~25	27~32	32~40	32~40	40~50	50~60

Clamshell Bucket



FEATURES

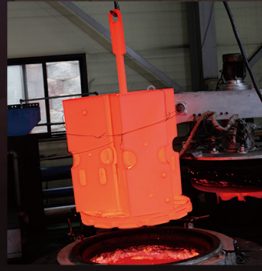
- Pendulum Type.
- Rotating Options :
 - Hydraulic Rotating Type, Free Rotating Type, Fixed Type Available.
- Tooth can be installed as Option.
- Standard Clamshell has no tooth.



SPECIFICATIONS

Description	Unit	DMCB800	DMCB1000
Operating Weight	kg	1,120	1,250
Capacity	m ³	0.8	1
(A) Max Opening Width	mm	2,027	2,027
(B) Max Closing Width	mm	1,837	1,837
(C) Jaw Width	mm	900	1,100
(H) Height (Open)	mm	1,930	1,930
(H1) Overall Length	mm	2,635	2,635
Self Digging force (Minimum, Open point)	kgf	5,705	5,705
Excavator Class	ton	18~25	25~32

Quality is our only product



BMS Board &
Ultra Sonic Machine

Test Bench

Test Facility



DAEMO

DAEMO ENGINEERING CO., LTD.

DAEMO ENGINEERING CO., LTD (HEAD QUARTER)

15, GUNJACHEON-RO, SIHEUNG-SI, GYEONGGI-DO, KOREA

TEL : +82-31-488-6000 (Rep.) FAX : +82-31-496-0066

Home page : <http://www.daemo.co.kr>

E-mail : chpark@daemo.co.kr

DAEMO EUROPE N.V.

MOESTOEMAATHEIDE 15, B-2440 GEEL, BELGIUM

TEL : +32 (0) 14-59-2363 FAX : +32 (0) 14-59-0316

Mobile : +32-472-220-496

E-mail : smilk@daemo.co.kr (Mr. Bread Joon)

alex@daemo.co.kr (Mr. Alex Kim)

DAEMO ENGINEERING INDIA PRIVATE LIMITED

OFFICE NO 15, GULISTAN BUILDING , POONA COLLEGE
ROAD, PUNE 411001

TEL : +91-20-2643-6162 Mobile : +91-9145082540

E-mail : jasonpark@daemo.co.kr (Mr. Jason Park)

DAEMO AMERICA INC.

6675 DOOLITTLE AVE BLDG A, RIVERSIDE, CA 92503, US

TEL : +1-951-688-8300 FAX : +1-951-688-8500

Mobile : +1-951-756-9555

E-mail : samkim@daemo.co.kr (Mr. Samuel Kim)

william@daemo.co.kr (Mr. William Kim)

CHANGZHOU DAEMO MACHINERY CO., LTD

NO 269, HUANGHEXI RD, XUEJIA INDUSTRIAL COMPLEX,

CHANGZHOU CITY, JIANGSU PROVINCE, CHINA

TEL : +86-0519-8595-9000 FAX : +86-0519-8595-9009

Mobile : +86-1865-198-0033

E-mail : nshee666@daemo.co.kr (Mr. SH Nam)