

AR 40

Operation weight:
3,300 kg

Power:
29.4 kW (40 HP)

Shovel capacity:
0.5 m³



 **weycor**
BY ATLAS WEYHAUSEN

AR 40



COMPACT AND AGILE WITH IMPRESSIVE INNER VALUES.

weycor wheel loaders are more than the sum of their parts. They reflect true passion, a fascination with technology and 'Made in Germany' quality.

The AR 40 has compact dimensions and a small turning circle. It's perfect for horticulture, landscape gardening and agriculture applications, or on small construction sites.

The 'small' AR 40 has all the inner values that people appreciate in weycor wheel loaders: stability, long lifespan and impressive performance data.

Reflecting ATLAS Weyhausen's philosophy of always focusing on the optimum solution, the AR 40 has technical highlights that are generally exclusive to larger wheel loaders. The AR 40 is unusual in that it is available with two different cabin design options.



WEYCOR: POWERFUL, PRECISE, RELIABLE.



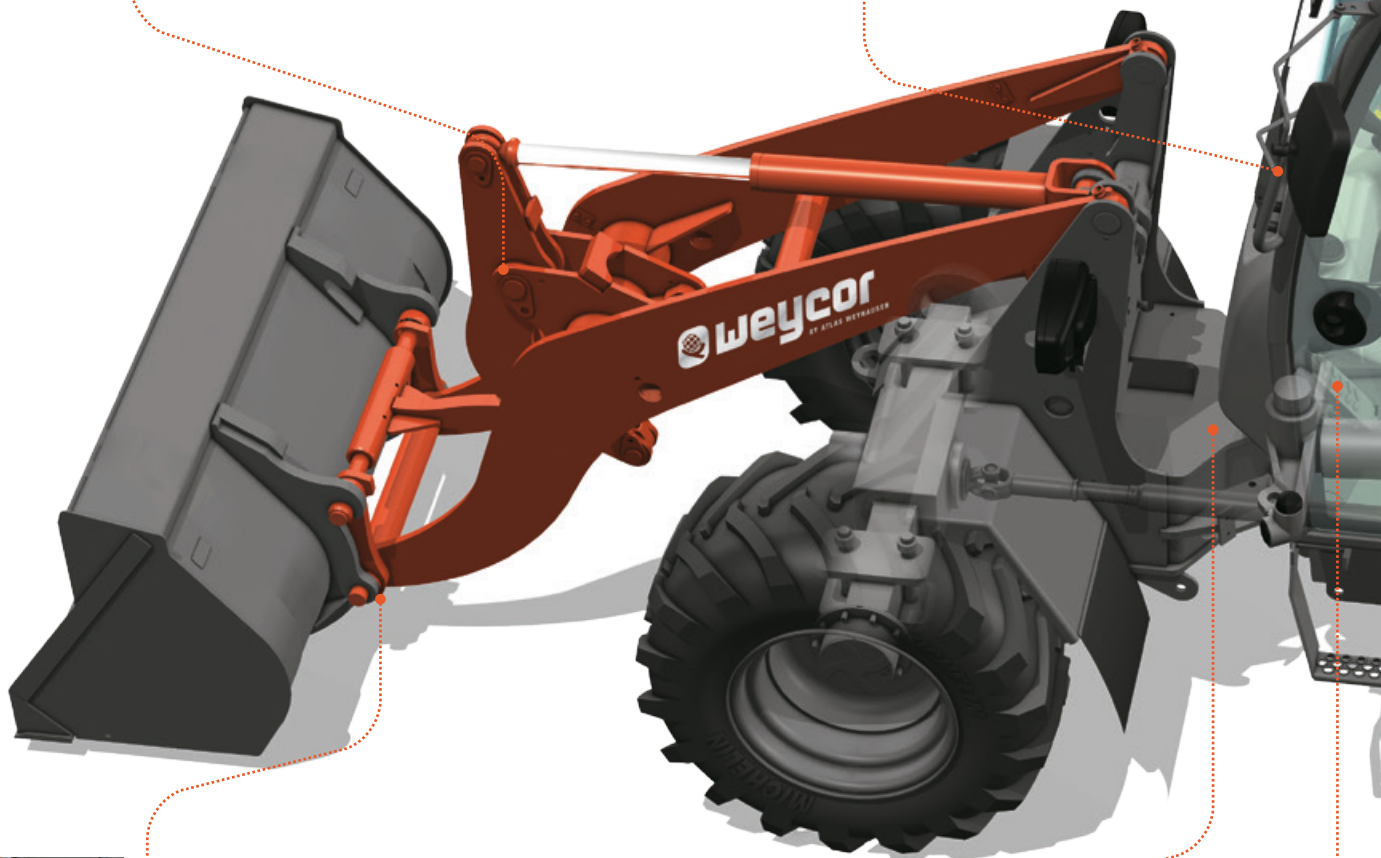
• LATEST KINEMATICS TECHNOLOGY

The proven and tested weycor kinematics with its exceptional tear-out force and excellent lifting heights. The tapered loading rocker makes sure you can always keep an eye on the attachment.



• EASY MAINTENANCE

Low-maintenance and quick, easy servicing is achieved by central, consolidated, easy-to-reach service points.



• HYDRAULIC QUICK-CHANGE ATTACHMENT

By allowing you to change the wheel loader's attachments in a few seconds, it turns the vehicle into an all-rounder.



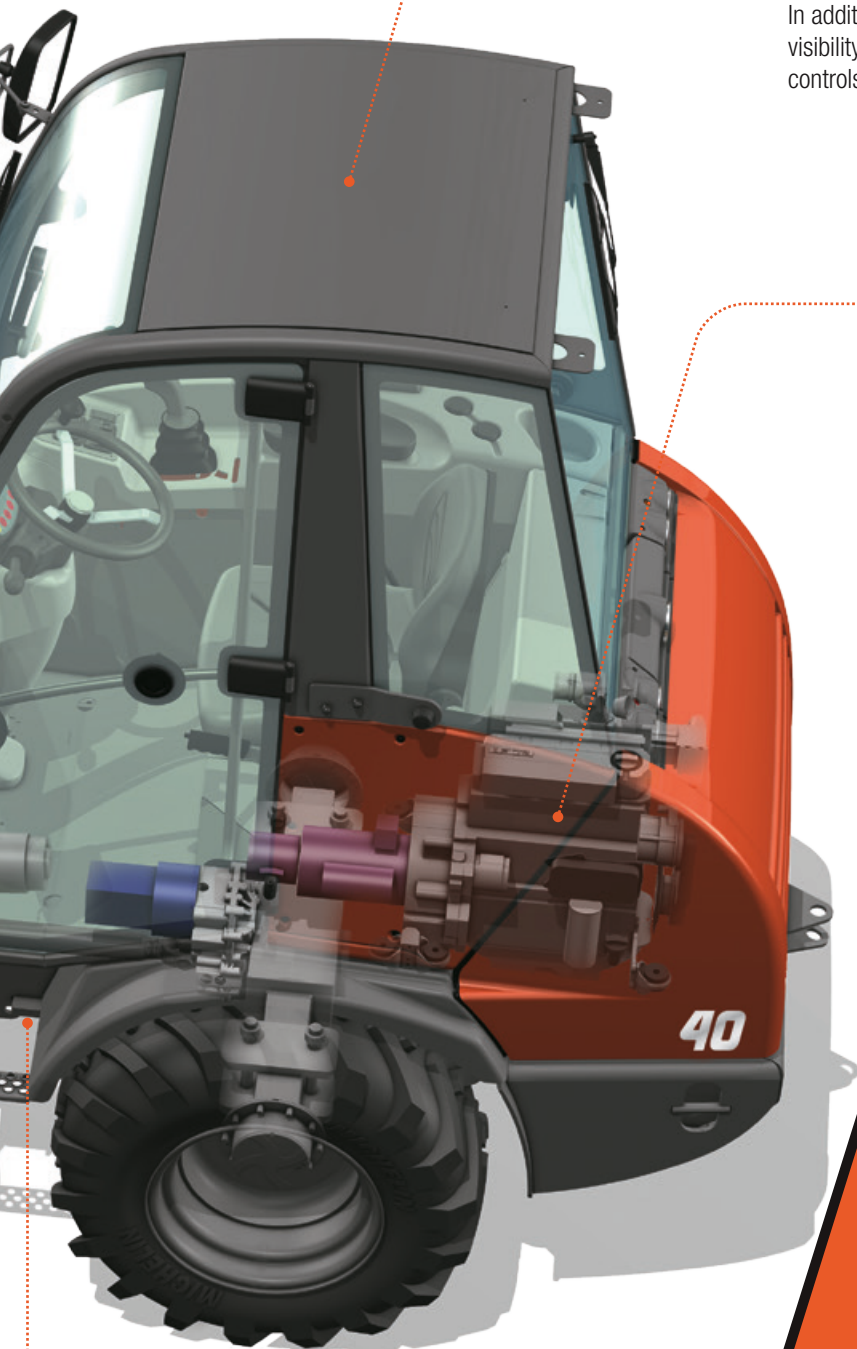
• ARTICULATED PENDULUM JOINT

Provides for excellent maneuverability and crosscountry mobility. Even on challenging terrain, the low center of gravity ensures exceptional stability.



• SEPARATE INCHING PEDAL

Less wear & tear and fuel consumption: In contrast to the conventional combined brake/inching pedal, with the separate inching pedal, the risk of inadvertently activating the main brake while you drive is eliminated.



• COMFORTABLE CABIN

In addition to the excellent circumferential visibility in the wheel loader, its clearly arranged controls and its ergonomic design.

• POWERFUL DRIVE UNIT

weycor wheel loaders are equipped with state-of-the-art engines which combine high power reserves for challenging operations with up-to-date low emission values.

• LOW CENTER OF GRAVITY

Thanks to their low center of gravity, weycor wheel loaders are secured against tipping, even under extreme circumstances.



PERKINS ENGINE 403D-15T INDUSTRIAL

The 400 Series engine family continues to set standards in the compact engine range. Developed alongside customers to fulfil their needs in the construction, materials handling and agricultural/turf markets. Built to the most demanding standards, the 400D engines meet all the requirements of the off-highway emissions legislation for Tier 4. The noise levels have been kept to a minimum, product design and process improvements enhance both engine reliability and durability.

AR 40

TECHNICAL DATA

ENGINE

Make	Perkins Diesel engine 403D-15T
Type	water cooled
Power***	set to 29.4 kW (40 HP) at 2,800 min ⁻¹
Max. torque	112 Nm at 1,800 min ⁻¹
Stroke	1,496 cm ³
Cylinders	3 in line

ELECTRICAL SYSTEM

Operating voltage	12 V
Battery	12 V / 66 Ah
Alternator	14 V / 65 A
Starter	12 V / 2.0 kW

DRIVE

- Output-regulated hydrostatic drive with pressure cut off and closed circuit acting on all 4 wheels
- Speed with standard tires:
Operating speed range 0-6.5 km/h
Road speed range 0-20 km/h
- 1st and 2nd hydraulic gear can be engaged under load, forward/backward travel also
- Forward/backward travel, speed ranges and off-position operational via weycor joystick
- Drive operated by accelerator and separate inching pedal for best distribution of the hydraulic power for thrust and lifting forces

BRAKES

Standard brake: Drum brake on front axle via cardan acting on all 4 wheels. Supplementary brake functions via inching pedal and hydrostatic drive acting on all 4 wheels.
Parking brake: Drum brake via funicular link acting on all 4 wheels with engine switch off.

AXLES

Rigid axles with planetary reduction gears in wheel hubs. 45%-differential lock in front axle.

STEERING

- Fully hydraulic center pivot steering
- Front and rear wheels follow the same track
- Steering angle of 40° to each side, ±12° angular movement at rear of vehicle
- Operating pressure of steering hydraulics 175 bar
- Emergency steering function

TIRES

Standard: 15.0/55-17 – Multi-purpose tires for earth moving machines, particularly surface friendly, gardening and landscaping
Special tires: 11.5/80-15.3 MPT – Multi-purpose tires for sand and gravel surface, woodland, roads and paths

More special tires upon request

HYDRAULIC SYSTEM

- Gear pump for loading and steering hydraulics
- Priority valve favoring steering hydraulics
- 3rd steering section for loading hydraulics mechanically controlled by weycor joystick, including float position
- Operating pressure 275 bar, Delivery of pump 39 l/min

LOADING EQUIPMENT

- Powerful and solid Z-kinematics with high tear out force
- Hydraulic quick change device
- Activation of all functions by weycor joystick
- Automatic mid position of joystick
- Parallel movement while using pallet forks
- Automatic shovel return to excavation position
- Locking device acc. to German StVZO for road travel
Lifting 4.0 s
Lowering 3.5 s
Tipping 1.0 s

FUEL/OIL CAPACITIES

Diesel.....	70 Liter
Hydraulic oil.....	28 Liter
Engine oil	3 Liter
Front axle	4 Liter
Rear axle.....	3.5 Liter
Gear oil	0.65 Liter
Cooling liquid.....	6 Liter

STANDARD EQUIPMENT

INCLUSIVE

- weycor canopy cabin with roll-bar protection
- Activation of all functions by weycor joystick
- Control lights for speed range, forward/backward travel
- Lights acc. to German StVZO for road travel
- Individually adjustable driver's seat
- Control lights for engine oil pressure, overheating, hydraulic oil temperature, battery power, parking brake, air filter
- Central dashboard with indicators for preheating, fuel, working hour meter

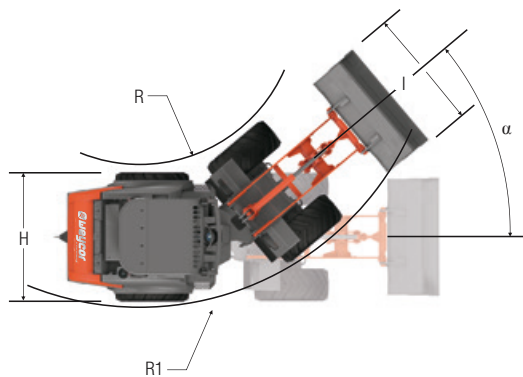
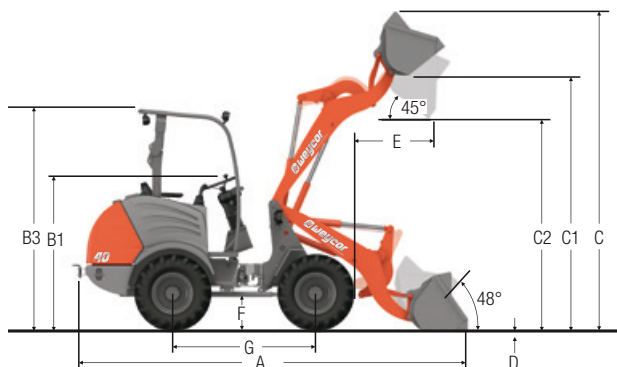
OPTIONS

TECHNICAL OPTIONS

- Main battery switch
- Special paintings and oils
- Cyclone dust separator
- Trailer coupling
- Sound absorbing ROPS cab
- Rear driving mirrors, foldable
- Front windscreen ventilation, variable output
- Windscreen wipe and wash unit in front and rear
- Sun visor, ceiling lamp, stow facility
- Heat protection glazing with targetinted screens
- Left hinged adjustable window, right window to open can be fastened
- Hot water heating with heat exchange and 3-stage-fan
- Anti-theft-device with code stick
- Radio
- Warning beacon

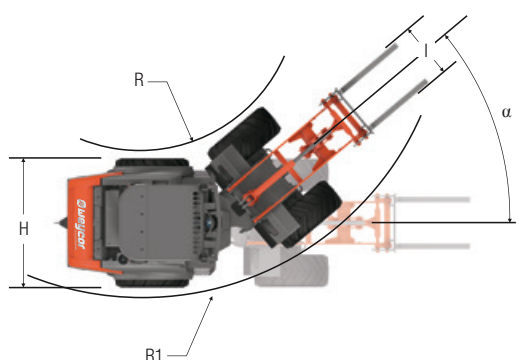
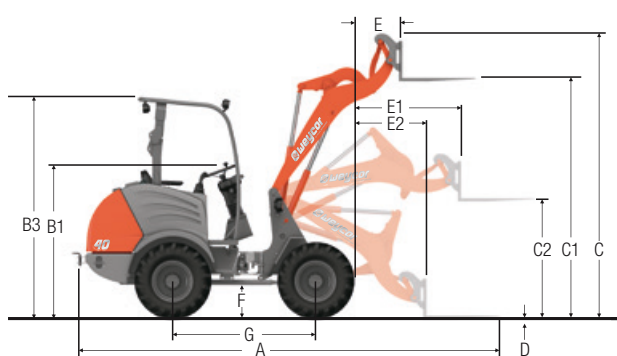
More options upon request

TECHNICAL DATA AR 40 WITH STANDARD SHOVEL



A	4,355 mm
B1	1,696 mm
B2	2,380 mm
B3	2,447 mm
C	3,615 mm
C1	2,940 mm
C2	2,340 mm
D	20 mm
E	502 mm
F	400 mm
G	1,715 mm
H	1,500 mm
I	1,550 mm
R	1,605 mm
R1	3,150 mm
α	40°

TECHNICAL DATA AR 40 WITH PALLET FORKS



A	4,855 mm
B1	1,696 mm
B2	2,380 mm
B3	2,447 mm
C	3,325 mm
C1	2,725 mm
C2	1,180 mm
D	75 mm
E	245 mm
E1	1,010 mm
E2	565 mm
F	400 mm
G	1,715 mm
H	1,500 mm
I	1,030 mm
R	1,605 mm
R1	3,150 mm
α	40°

DIFFERING DATA ROPS-CABIN



SPECIFIC GRAVITY FOR MATERIAL HANDLING WEIGHT (t/m³)

Construction	Industry	
concrete.....	1.9	ember.....0.7
soil (dry).....	1.5	brown coal briquette.....0.8
soil (watery).....	2.0	ferrous product.....7.8
rock (fill).....	2.4	iron ore.....2.3
granite.....	1.8	cullet.....1.9
limestone.....	1.6	gas coke.....0.4
gravel (dry).....	1.9	timber.....0.8
gravel (watery).....	2.1	mineral coal.....1.2
loam.....	1.7	paper.....0.9
plaster.....	2.2	slag.....1.0
sand (dry).....	1.9	slag concrete.....2.7
sand (watery).....	2.1	
sandstone.....	2.4	
shale.....	2.2	Landscaping, Agriculture
sediment.....	2.1	agricultural crop.....0.7
crushed stone.....	1.5	grain.....0.6
de-icing salt.....	1.3	hay.....0.3
clay.....	1.6	potash.....1.1
cement.....	1.7	compost.....1.0
clinker (stacked).....	1.8	flour.....0.5
		clay (watery).....2.3
		phosphate fertiliser.....2.2
		turf (watery).....1.1
		turf (dry).....0.4
		mineral fertiliser.....1.0

OPERATING DATA

Shovel capacity acc. to SAE	0.5 m³
Track width	1,070 mm
Turning radius (outer shovel edge)	3,150 mm
Tear out force	3,170 daN
Torque	2,500 daN
Tipping load, straight	2,719 kg
Tipping load, articulated	2,422 kg
Lifting capacity at ground level	2,340 daN
Service weight	3,300 kg

Differing data for use of pallet forks (500 mm distance to center of gravity)*

Static tipping load, articulated	1,875 kg
Lifting capacity	1,600 daN
Payload 80% even surface**	1,500 kg
Payload 60% uneven surface**	1,125 kg

Sound level Agrar- / Cabin-version

Average acoustic power-level L _{WA} ⁽¹⁾	99.7 dB(A)
Guaranteed acoustic power-level L _{WA} ⁽²⁾	101.0 dB(A)
Sound pressure level L _{pA} ⁽³⁾	83.0 dB(A)
Specific vibration-data Hand- / arm- / bodyvibration ⁽⁴⁾	< 2.5/0.5 m/s²

* Travel with load only permitted close to the ground.

** According to ISO 8313 and EN 474-3. *** According to ISO 14396, EU RL97/68/EC, (1) According to 2000/14/EG & appendixes.

(2) According to 2000/14/EG & appendixes. (3) According to ISO 6396.

(4) According to ISO 8041.

PRODUCT RANGE



AR 30

Operation weight	2,150 kg
Power	24.6 kW (33.5 HP)
Shovel capacity	0.32 m ³



AR 35 / AR 35 Super

Operation weight	2,500 kg / 2,875 kg
Power	24.6 kW (33.5 HP) 29.4 kW (40.0 HP)
Shovel capacity	0.34 m ³ / 0.40 m ³



AR 40

Operation weight	3,300 kg
Power	29.4 kW (40.0 HP)
Shovel capacity	0.50 m ³



AR 60

Operation weight	4,300 kg / 4,650 kg
Power	36.5 kW (49.7 HP)
Shovel capacity	0.80 m ³



AR 65^e

Operation weight	5,150 kg
Power	54.0 kW (73.0 HP)
Shovel capacity	0.80 - 1.00 m ³



AR 75^e

Operation weight	5,760 kg
Power	54.0 kW (73.0 HP)
Shovel capacity	1.00 m ³



AR 75^e S

Operation weight	6,280 kg
Power	54.0 kW (73.0 HP)
Shovel capacity	0.80 m ³



AR 75^e T

Operation weight	6,000 kg
Power	54.0 kW (73.0 HP)
Shovel capacity	1.00 m ³



AR 80^e

Operation weight	6,220 kg
Power	70.0 kW (95.0 HP)
Shovel capacity	1.00 - 1.20 m ³



AR 85^e

Operation weight	7,000 kg
Power	80.0 kW (109.0 HP)
Shovel capacity	1.30 - 1.40 m ³



AR 95^e / AR 95^e Super

Operation weight	7,900 kg / 8,200 kg
Power	85.0 kW (115.5 HP) 95.0 kW (129.0 HP)
Shovel capacity	1.40 m ³ / 1.60 m ³



AR 105^e

Operation weight	9,450 kg
Power	105.0 kW (143.0 HP)
Shovel capacity	1.60 - 1.80 m ³

Compliance with the new statutory limits for exhaust emissions is one thing. Deriving tangible benefits for our customers is another. We are proud to have incorporated both in the development of the new generation of wheel loaders. **Higher power - lower consumption** plus a series of other innovative features that make a genuinely positive difference in a construction site environment. All the features inside are now represented on the outside by a small 'e' and the new product name 'weycor'.

weycor is an ATLAS WEYHAUSEN GMBH brand

ATLAS WEYHAUSEN GMBH · D - 27793 Wildeshausen
Phone +49 (0) 44 31 - 98 10 · info@weycor.de · www.weycor.de

 **weycor**
BY ATLAS WEYHAUSEN