

2001 Product Range



SEV

SEV Aerial Access

Trailer Mounted Range 10m - 22m



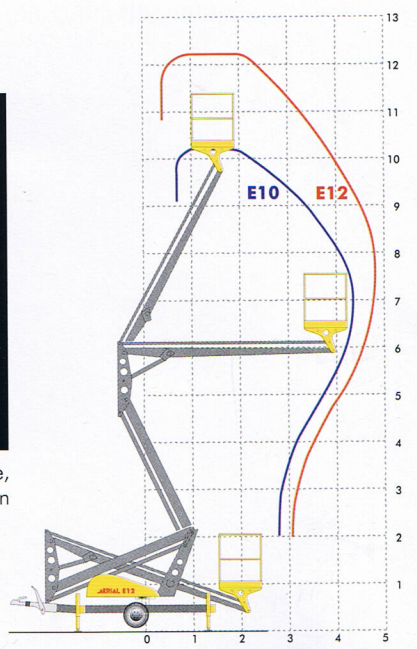
E10/E12

Trailer Mounted Platform

Operating Dimensions	E10	E12
Max. Working Height	10.20m	12.20m
Max. Platform Height	8.40m	10.20m
Max. Outreach	4.40m	5.00m
Capacity (SWL)	215kg	215kg
Outrigger Footprint	2.85m x 3.46m	2.7m x 2.7m
Rotation	360°	360°
Closed Dimensions		
Towing Length	5.20m	5.30m
Minimum Width	0.76m	1.20m
Towing Height	1.90m	1.95m
Weight	910kg	from 1050kg

The E10 offers very compact closed dimensions. Road towable, the E10 will pass through a single doorway and give two men outreach of up to 4.5m and 10m working height.

The E12 has a 12m working height a 5m outreach and the option of manual or hydraulic outriggers, complete with pressure sensitive interlocks and LED display. Both E10 & E12 can be towed comfortably by a small car and are available in battery, mains or Bi-Fuel versions.



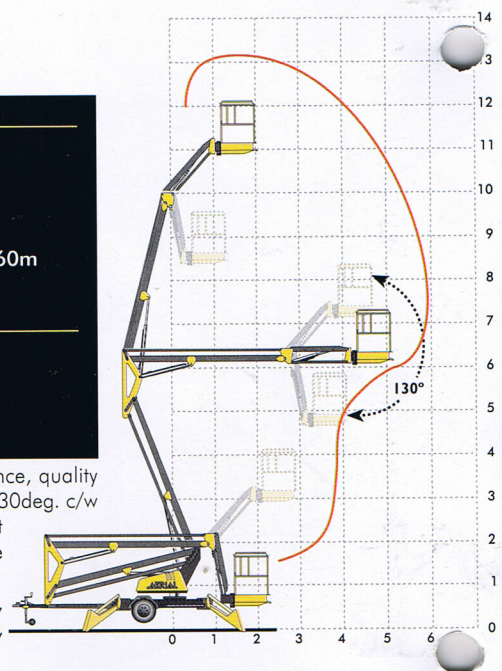
K13

Trailer Mounted Platform

Operating Dimensions	K13
Max. Working Height	13.20m
Max. Platform Height	11.20m
Max. Outreach	5.90m
Capacity (SWL)	215kg
Outrigger Footprint	3.00m x 3.60m
Rotation	900°
Closed Dimensions	
Towing Length	5.95m
Minimum Width	1.48m
Towing Height	1.95m
Weight (battery model)	1350kg

The K13 sets new higher standards of performance, quality and safety. 13.2m working height, 5.9m outreach, 130deg. c/w basket rotation and only 1350kg towing weight combined with hydraulic outriggers as standard make the K13 hard to beat.

The K13, the most versatile platform in it's class, is available with full range of power options: battery, mains, Bi-Fuel.

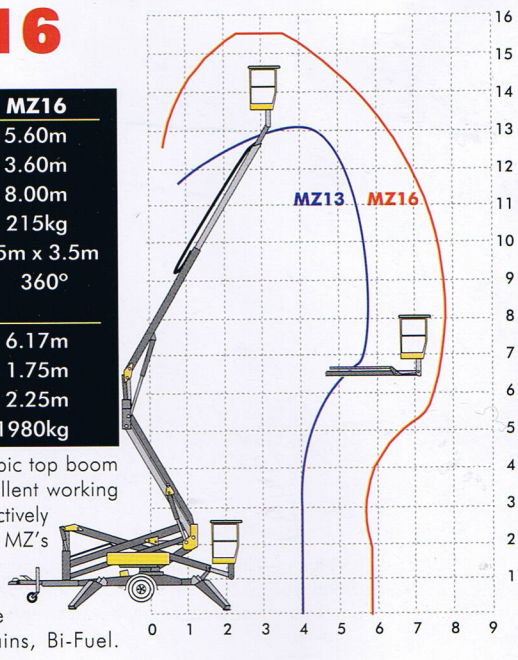


MZ13 / MZ16

Trailer Mounted Platforms

Operating Dimensions	MZ13	MZ16
Max. Working Height	13.20m	15.60m
Max. Platform Height	11.20m	13.60m
Max. Outreach	5.80m	8.00m
Capacity (SWL)	215kg	215kg
Outrigger Footprint	3.0m x 3.0m	3.5m x 3.5m
Rotation	360°	360°
Closed Dimensions		
Towing Length	5.35m	6.17m
Minimum Width	1.75m	1.75m
Towing Height	2.06m	2.25m
Weight (Hydraulic Outriggers)	1460kg	1980kg

The MZ's versatile 2-stage boom with telescopic top boom offers very compact closed dimensions and excellent working envelope. 13m and 15.6m working heights respectively with 5.8m and 8.0m of up and over outreach the MZ's are robust, simple platforms that can be towed by medium sized car or van. MZ13/16 come with manual or hydraulic outriggers and are available with full range of power options: battery, mains, Bi-Fuel.





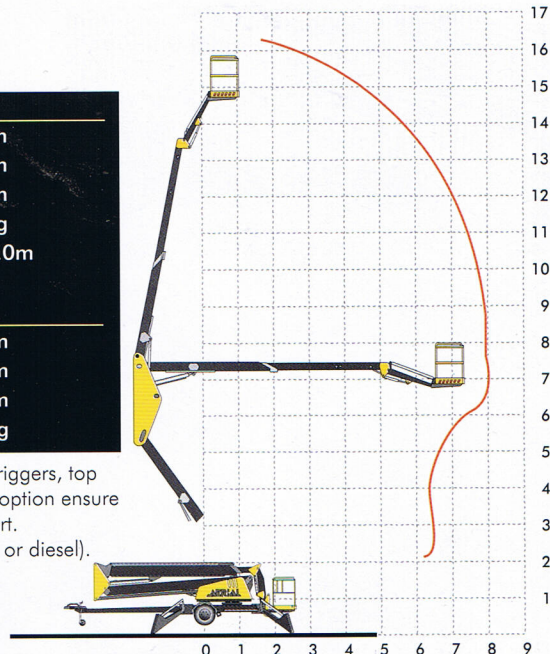
K16T

Trailer Mounted Platform

Operating Dimensions	K16T
Max. Working Height	16.40m
Max. Platform Height	14.40m
Max. Outreach	7.90m
Capacity (SWL)	215kg
Outrigger Footprint	3.6m x 4.0m
Rotation	900°
Closed Dimensions	
Towing Length	6.50m
Towing Width	1.80m
Towing Height	1.99m
Weight	2050kg

The K16 is a versatile performer. Hydraulic outriggers, top telescopic and flick boom and onsite drive system option ensure maximum performance with minimal operator effort.

Power options; battery, mains or Bi-Fuel (petrol or diesel).



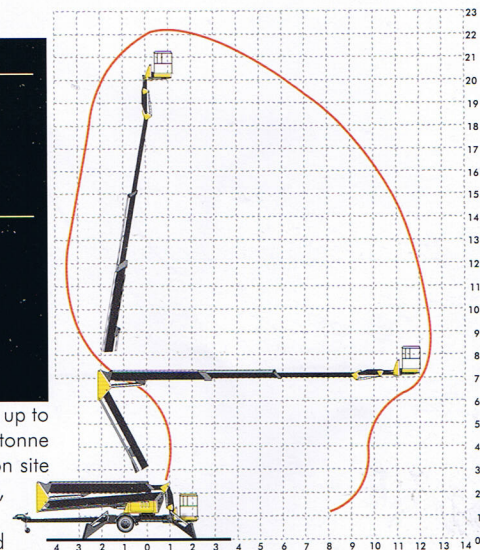
K22T

Trailer Mounted Platform

Operating Dimensions	K22T
Max. Working Height	22.10m
Max. Platform Height	20.10m
Capacity (SWL)	215kg
Outrigger Footprint	4.0m x 4.3m
Rotation	900°
Closed Dimensions	
Towing Length	8.10m
Towing Width	1.90m
Towing Height	1.90m
Weight (mains/generator)	3500kg
Weight (Battery)	3750kg

The K22 is a unique platform. 22m working height and up to 12.5m outreach with 2-man (215kg) payload from a 3.5 tonne trailer-mount. Hydraulic outriggers, rotating basket and on site drive system all come as standard. Power options; battery, mains or Bi-Fuel (petrol or diesel).

The K22 is also available as a powered bogie mounted platform, where road towing is not required.



Self Propelled Range 11-14m



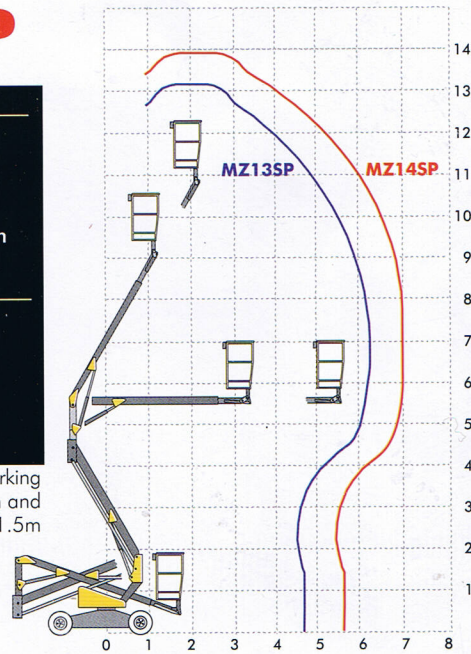
MZ13/MZ14SP

Self Propelled Platforms

Operating Dimensions	MZ13SP	MZ14SP
Max. Working Height	13.20m	14.00m
Max. Platform Height	11.20m	12.00m
Max. Outreach	6.30m	7.10m
Capacity (SWL)	215kg	215kg
Footprint Width	1.5m / 1.7m	1.5m / 1.7m
Rotation	360°	360°
Closed Dimensions		
Length	4.37m	4.57m
Width	1.50m	1.70m*
Height	1.96m	1.98m
Weight 1.5m width	3650kg	4000kg
Weight 1.7m width	3500kg	3800kg

The MZ13 & 14SP offer a combination of class leading working envelopes with low weight and small working footprint. 13m and 14m working heights and up to 7m working outreach from 1.5m width. Compact closed dimensions and tight turning radius enable the MZSP's to work in busy congested areas.

The MZ13 & 14SP are available in 1.5m & 1.7m widths and with a full range of power options: 210Ah or 320Ah Battery, diesel and Bi-Fuel (diesel/battery).





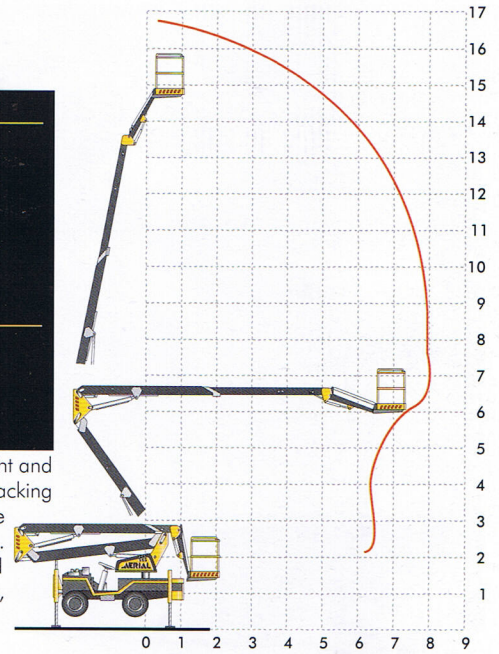
Pioneer 17

Rough Terrain Dumper Mount

Operating Dimensions	Pioneer 17
Max. Working Height	16.80m
Max. Platform Height	14.80m
Max. Outreach	7.90m
Capacity (SWL)	215kg
Outrigger Footprint	2.40m x 3.60m
Rotation	90°
Closed Dimensions	
Overall Length	6.10m
Width	1.90m
Overall Height	2.75m
Weight	3500kg

The Pioneer's impressive 17m working height and 7.90m outreach is achieved from only a 2.4m jacking width. A frame hydraulic outriggers level the Pioneer on sloping or uneven ground.

4x4 drive, low weight (only 3.5 tonnes) and 32 HP engine give unmatched drive performance, up to 22 KPH and 40% gradeability.



Truckmounted Range 8-22m

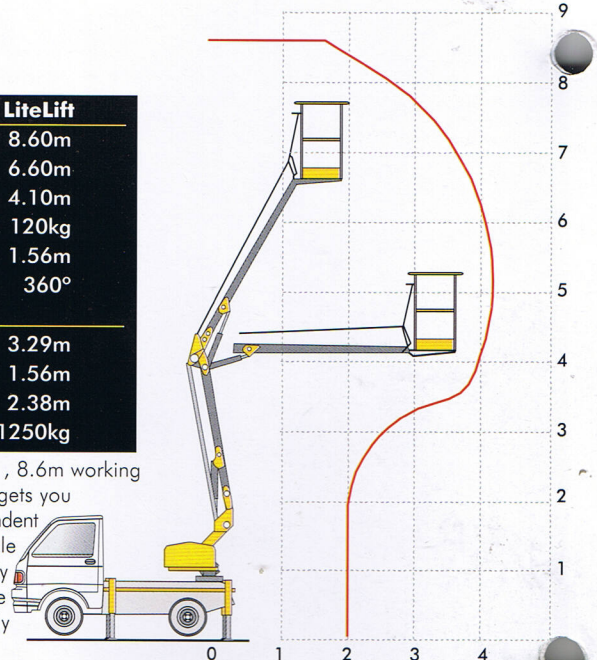


LiteLift

De-mountable Platform

Operating Dimensions	LiteLift
Max. Working Height	8.60m
Max. Platform Height	6.60m
Max. Outreach	4.10m
Capacity (SWL)	120kg
Outrigger Width	1.56m
Rotation	360°
Closed Dimensions	
Overall Length	3.29m
Overall Width	1.56m
Overall Height (Travelling)	2.38m
Kerb Weight	1250kg

Only 1.6m deployed width, (120kg) SWL, 8.6m working height and up to 4.1m outreach the Lite Lift gets you into places other platforms cannot. Fully independent 12v power supply (recharged through vehicle alternator) proportional controls and full safety interlocks for outriggers and hydraulics combine to make the Lite Lift a simple, safe and highly cost effective platform.



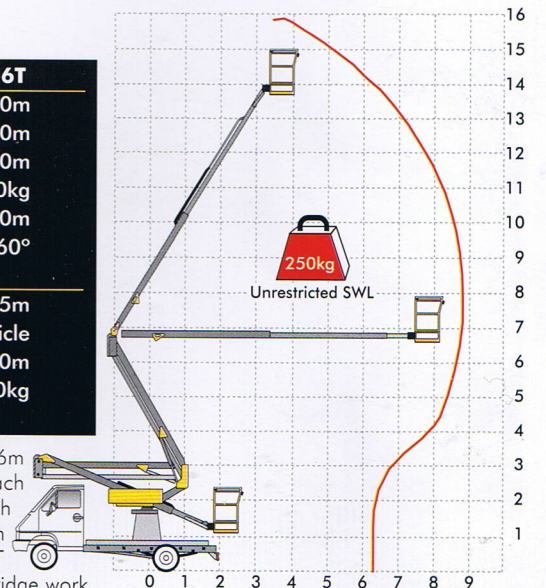
AL16T

Truckmounted Platform

Operating Dimensions	AL16T
Max. Working Height	16.00m
Max. Platform Height	14.00m
Max. Outreach	9.00m
Capacity (SWL)	250kg
Outrigger Width	2.40m
Rotation	360°
Closed Dimensions	
Overall Length (Travelling)	6.75m
Overall Width	vehicle
Closed Height	3.30m
Kerb Weight from	5000kg

All dimensions dependant upon base vehicle

The AL16T offers a unique combination of 16m W.H., up to 9m of unrestricted up and over outreach and **250kg** SWL from only 2.40m working width on vehicles from 5tonne GWW! This combined with very compact closed dimensions means the AL16T is ideal for applications such as street lighting, bridge work, sign work, tree surgery etc. even where ground space is tight.





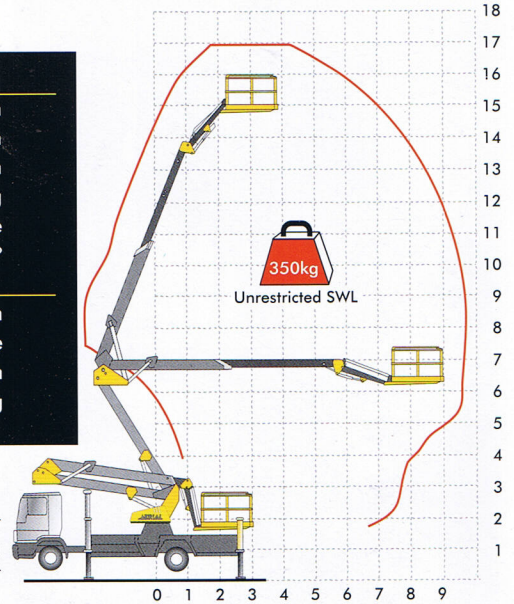
AL17T

Heavy Duty Truckmount

Operating Dimensions	AL17T
Max. Working Height	17.00m
Max. Platform Height	15.00m
Max. Outreach	9.70m
Capacity (SWL)	350kg
Outrigger Width	Vehicle
Rotation	90°
Closed Dimensions	
Overall Length (Travelling)	7.50m
Overall Width	vehicle
Overall Height (Travelling)	3.50m
Kerb Weight	7000kg

All dimensions dependant upon base vehicle

AL17T is a robust, heavy duty platform providing operators with an exceptionally rigid working platform. Large 350kg unrestricted payload, large basket (1.5x1.5m) with excellent up and over boom configuration, the AL17T gives 17m working height and 9.7m outreach from a 7.5 tonne vehicle.



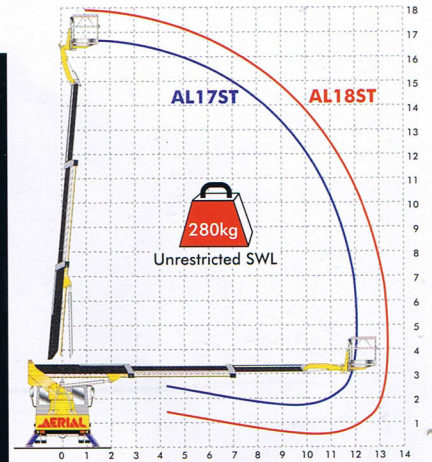
AL17ST/18ST

Telescopic Truckmount

Operating Dimensions	AL17	AL18*	AL18**
Max. Working Height	17.00m	18.00m	18.00m
Max Platform Height	15.00m	16.00m	16.00m
Max. Outreach	12.00m	13.50m	13.00m
Capacity (SWL)	250kg	280kg	280kg
Outrigger Spread	2.35m	2.90m	2.90m
Rotation	360°	90°	90°
Basket Rotation	150°	150°	90°
Closed Dimensions			
Overall Length	7.60m	8.20m	8.20m
Overall Width	vehicle width		
Overall Height	3.24m	3.30m	3.30m
Kerb Wgt. inc. vehicle	6600kg	7200kg	7200kg

*AL18 w/out flyboom **AL18 with flyboom

The AL17/18ST's are high quality, robust telescopic platforms available with or without fly-boom, providing up to 13.5m unrestricted outreach (no fly) with full 280kg unrestricted SWL from 2.9m outrigger width and 7.5 tonne GVW. The AL17/18's offers class leading platform rigidity and operator comfort including 150° or 90° basket rotation and simple full pressure proportional hydraulic controls.



AL22ST

Telescopic Truckmount

Operating Dimensions	AL22ST
Max. Working Height	22.00m
Max. Outreach	17.00m
Capacity (SWL)	280kg
Outrigger Footprint	
Narrow	2.2m
One-sided	3.1m
Full	4.0m
Rotation	90°
Basket Rotation	90°
Closed Dimensions	
Overall Length (Travelling)	8.25m
Overall Width	vehicle
Overall Height (Travelling)	3.40m
Kerb Weight	7200kg

AL22ST. This high quality, robust 4-stage telescopic provides leading edge unrestricted 17m outreach with full 280kg payload from 7.5 tonne vehicle. Single sided or narrow jacking combinations enable this highly versatile platform to be used in tight city environments.

